



## Engine Parts Manual

# Kubota Diesel Engine

D1105-E4B-TXRN-1 – Jacobsen SLF 1880

D1105-E4B-TXRN-2 – Cushman Truckster / Haulster / Spraytek

D1105-E4B-TXN-3 – Jacobsen LF510 / Turfcut

### **WARNING**

Warning: If incorrectly used, this machine can cause severe injury. Those who use and maintain this machine should be trained in its proper use, warned of its dangers, and must read the entire manual before attempting to set up, operate, adjust, or service the machine.

## FOREWORD

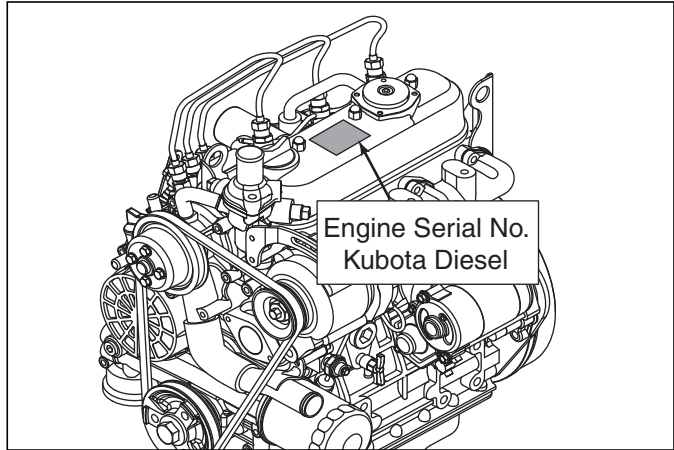
This manual contains a parts list for your Kubota Engine.

The Engine Serial Number for the Kubota engine is on a plate located on the valve cover.

Record the Engine Serial Number below for easy reference.

Engine Serial Number: \_\_\_\_\_

If additional information is needed, contact your Jacobsen Dealer.



## Suggested Stocking Guide

To Keep your Equipment fully operational and productive, Jacobsen suggests you maintain a stock of the more commonly used maintenance items. We have included part numbers for additional support materials and training aids.

To order any of the following material:

1. Write your full name and complete address on your order form.

2. Explain where and how to make shipment:

- UPS                                       Regular Mail  
 Overnight                                       2nd Day

3. Order by the quantity desired, the part number, and the description of the part.
4. Send or bring the order to your authorized Jacobsen Dealer.

## Service Parts

Qty.	Part No.	Description	Qty.	Part No.	Description
	4183636	Upper Gasket Kit		4183637	Lower Gasket Kit
	4177262	Oil Filter Cartridge (Engines A C)		4113986	Oil Filter Cartridge (Engine B)
	550489	Fuel Filter Element (Engines A B C)		5001284	V-Belt (Engines A C)

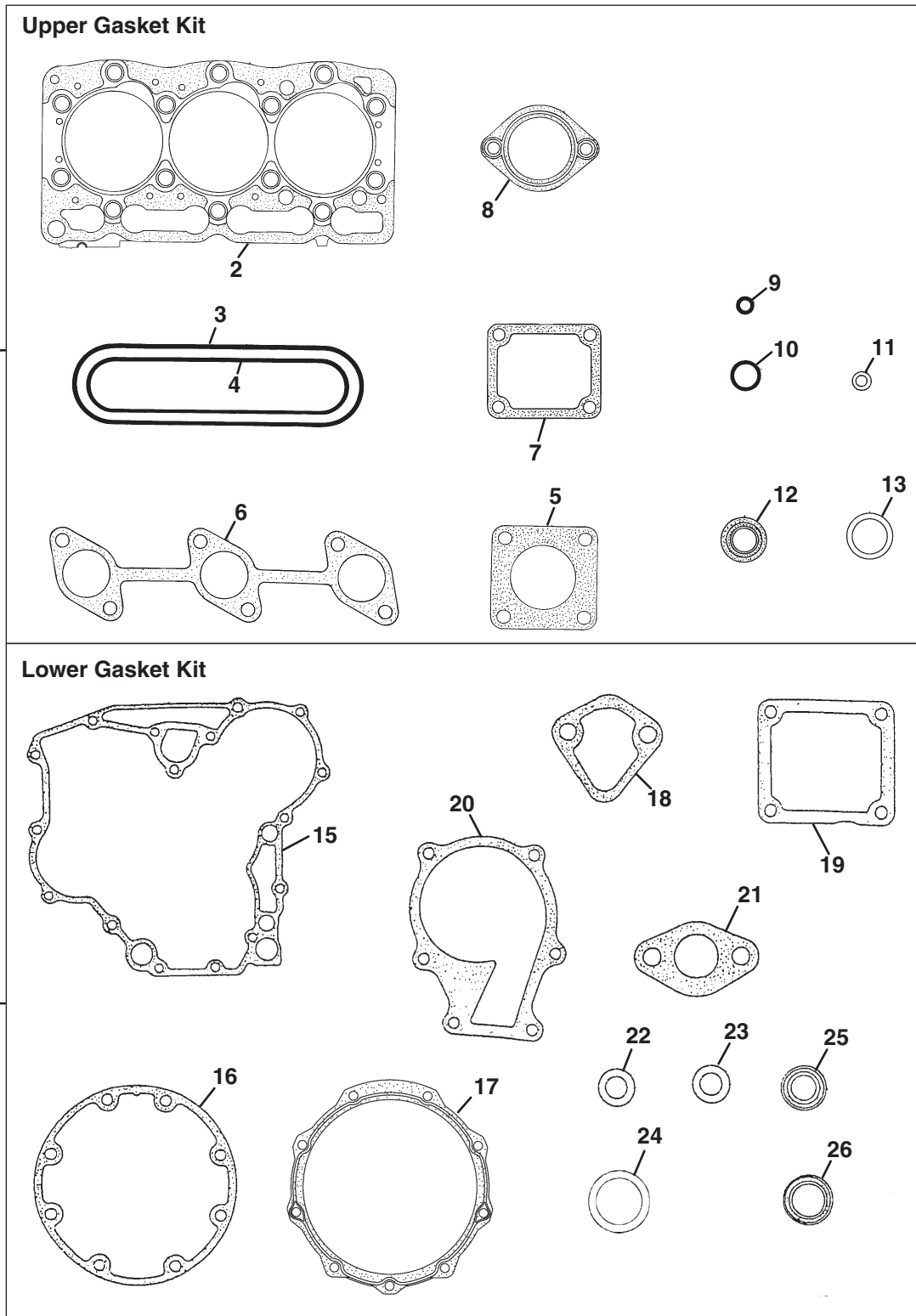
### Proposition 65 Warning

This product contains or emits chemicals known to State of California to cause cancer and birth defects or other reproductive harm.

© 2014, Jacobsen, a Textron Company/Textron Innovations Inc.  
 "All rights reserved, including the right to reproduce this material or portions thereof in any form."

1.1	Gasket Kits	4
2.1	Crankcase	6
3.1	Oil Pan	8
4.1	Dipstick and Guide	10
5.1	Cylinder Head	12
6.1	Valve and Rocker Arm	14
7.1	Manifolds	16
8.1	Head Cover	18
9.1	Gear Case	20
10.1	Gear Case	22
11.1	Main Bearing Case	24
12.1	Pistons and Crankshaft	26
13.1	Flywheel and Starter	28
14.1	Starter	30
15.1	Camshaft	32
16.1	Fuel Camshaft and Governor Shaft	34
17.1	Idle Apparatus	36
18.1	Injection Pump	38
19.1	Governor	40
20.1	Speed Control Plate	42
21.1	Nozzle Holder and Glow Plug	44
22.1	Nozzle Holder	46
23.1	Alternator and Pulleys	48
24.1	Alternator	50
25.1	Water Flange and Pump	52
26.1	Fuel Filter and Pump	54
27.1	Miscellaneous	56

## 1.1 Gasket Kits



# KUBOTA D1105-E4B

Engine	Item	Part No.	Qty.	Description	Serial Numbers/Notes
●	1	4183636	1	Upper Gasket Kit	
●	2	4183581	1	• Gasket, Cylinder Head	
●	3	2500856	1	• Gasket, Head Cover	
●	4	2500854	1	• Gasket, Intake Manifold	
<b>B</b>	5	553020	1	• Gasket, Muffler NA	
●	6	5001262	1	• Gasket, Exhaust Manifold	
●	7	5001273	1	• Gasket, Water Flange	
●	8	4134370	1	• Gasket, Thermostat	
●	9	557352	3	• Seal, Heat	
●	10	2809955	1	• O Ring, Oil Cap	
●	11	550839	3	• Gasket, Head Cover Nut	
●	12	2500923	6	• Seal, Valve Stem	
●	13	554051	3	• Gasket, Nozzle Holder	
●	14	4183637	1	Lower Gasket Kit	
●	15	5001269	1	• Gasket, Gear Case	
●	16	2500824	1	• Gasket, Bearing Case	
●	17	5001270	1	• Gasket, Bearing Case Cover	
●	18	5001922	1	• Gasket, Fuel Pump Cover	
●	19	5001272	1	• Gasket, Speed Control Plate	
●	20	557867	1	• Gasket, Water Pump	
●	21	2500845	1	• Gasket, Governor	
●	22	553143	6	• Gasket	
●	23	2500811	1	• Oil Plug Gasket	
	24	Not Used	1	• Oil Plug Gasket	
●	25	2500902	1	• Seal, Gear Case Oil	
●	26	2500825	1	• Seal, Rear Crankshaft Oil	
The following parts are not included in the standard Kubota Gasket Kits and will need to be ordered separately.					
<b>AC</b>	5	5003476	1	Gasket, Muffler NA	

**A** - SLF 1880 (D1105-E4B-TXRN-1)  
**C** - LF510 / Turfcat (D1105-E4B-TXN-3)  
 ● - Used on All Engines

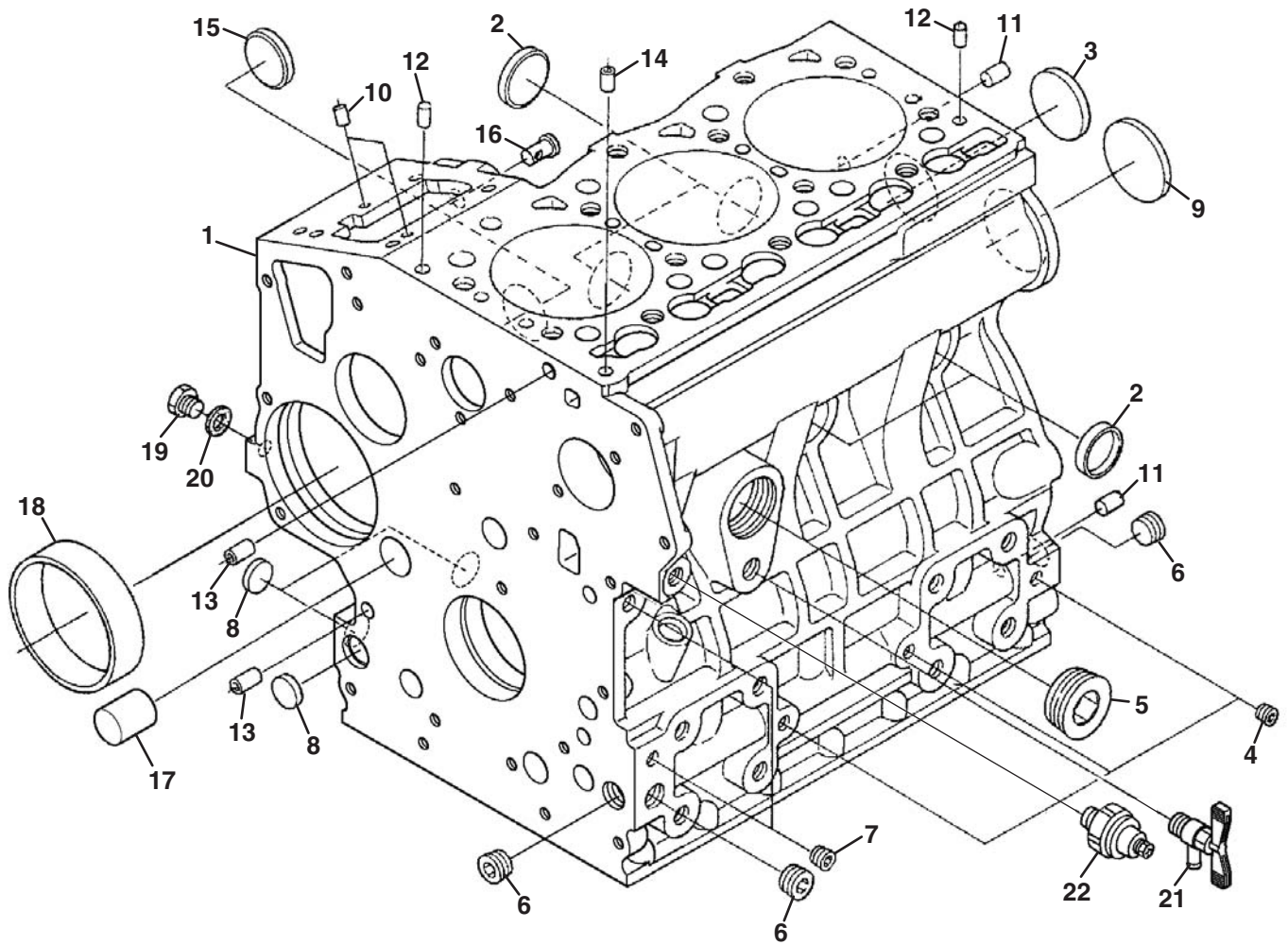
**B** - Truckster / Haulster / Spraytek (D1105-E4B-TXRN-2)

> Change from previous revision

# KUBOTA D1105-E4B

Serial No. All

## 2.1 Crankcase



# KUBOTA D1105-E4B

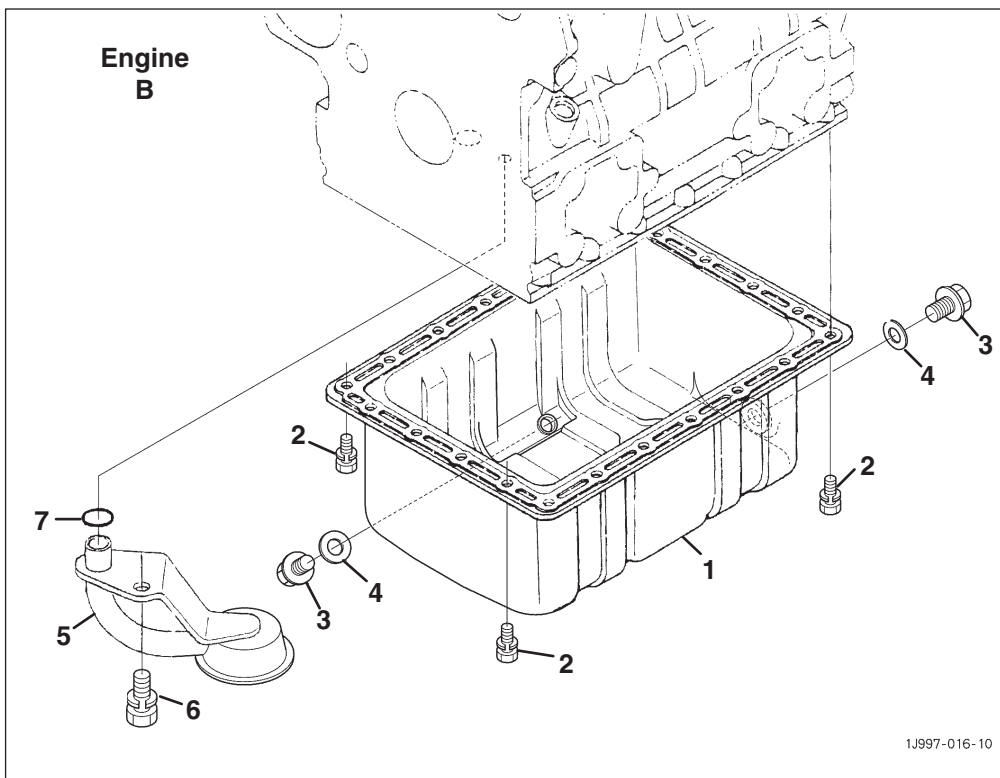
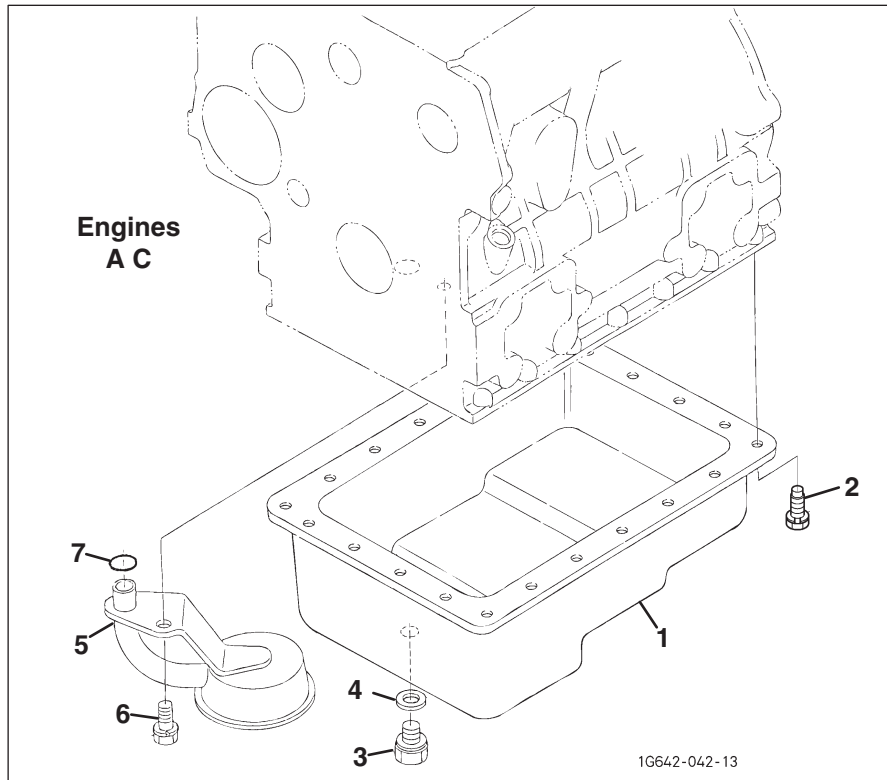
Engine	Item	Part No.	Qty.	Description	Serial Numbers/Notes
●	1	4145910	1	Comp. Crankcase	
●	2	553911	4	• Plug, Cup Type	
●	3	552977	1	• Plug, Cup Type	
●	4	552978	3	• Plug	
●	5	2500874	1	• Plug	
●	6	2500875	3	• Plug	
●	7	552950	2	• Plug	
●	8	5001308	3	• Plug, Concave	
●	9	2500877	1	• Plug, Concave	
●	10	553857	2	• Pin, Straight	
●	11	550424	2	• Pin, Straight	
●	12	2500878	2	• Pin, Straight	
●	13	550543	2	• Pin, Pipe	
●	14	2500879	1	• Pin, Pipe	
●	15	2500880	1	• Plug, Fuel Camshaft	
●	16	2500881	1	• Pin (Start Spring)	
●	17	2500882	1	• Plug	
●	18	2500883	1	• Bushing(Gear, Governor)	
●	19	4289854	1	• Plug	
●	20	552958	1	• Gasket	
●	21	4306369	1	Assy, Drain Cock	
●	22	554018	1	Switch, Oil	

**A** - SLF 1880 (D1105-E4B-TXRN-1)  
**C** - LF510 / Turfcut (D1105-E4B-TXN-3)  
**●** - Used on All Engines

**B** - Truckster / Haulster / Spraytek (D1105-E4B-TXRN-2)

> Change from previous revision

## 3.1 Oil Pan





# KUBOTA D1105-E4B

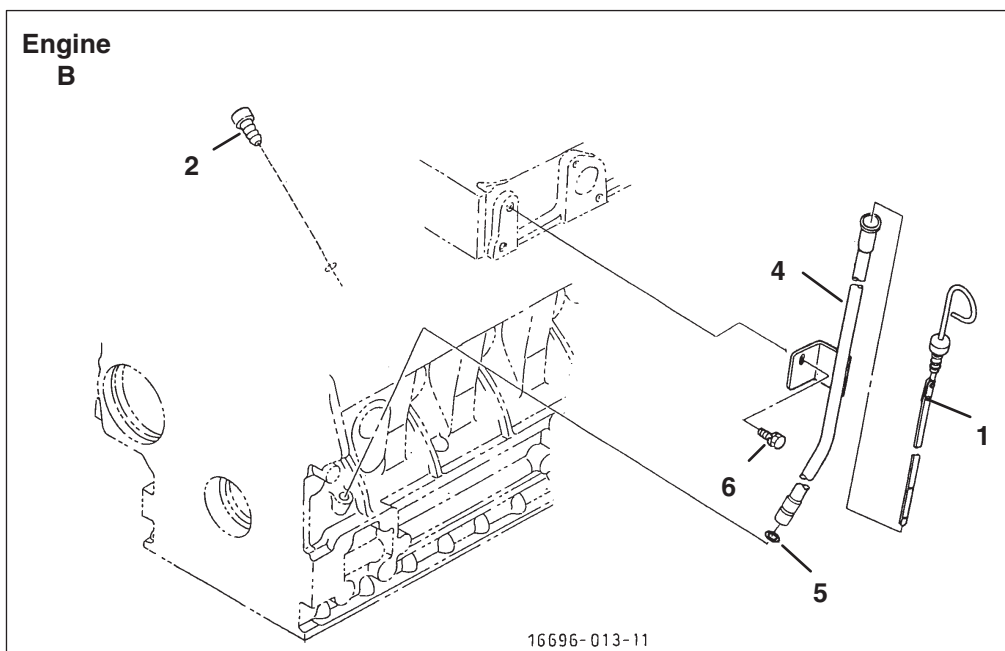
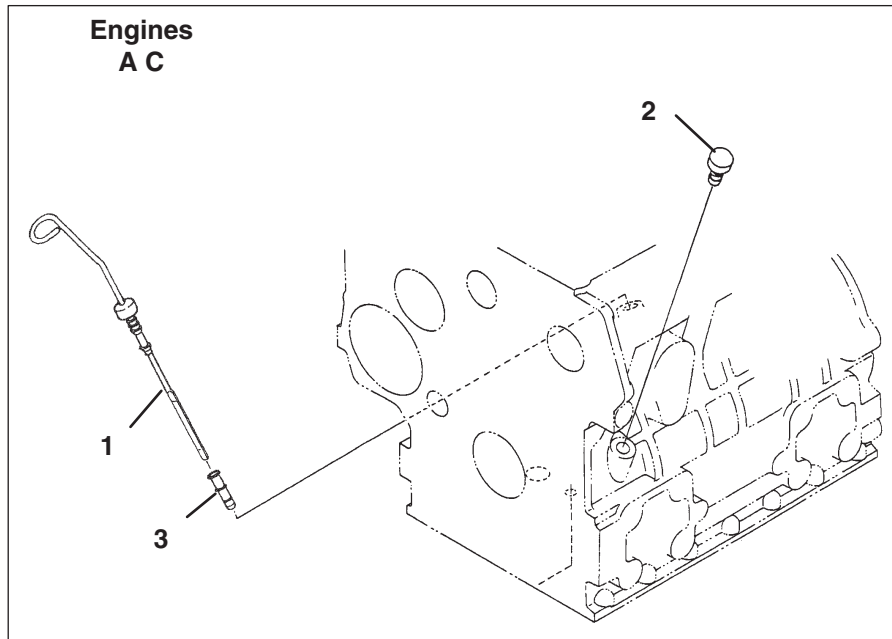
Engine	Item	Part No.	Qty.	Description	Serial Numbers/Notes
<b>AC</b>	1	2500822	1	Comp. Oil Pan	
<b>B</b>	1	4183605	1	Comp. Oil Pan	
●	2	550361	22	Bolt	
<b>AC</b>	3	4177260	1	Plug, Drain	
<b>B</b>	3	4177260	2	Plug, Drain	
<b>AC</b>	4	2500811	1	Gasket	
<b>B</b>	4	2500811	2	Gasket	
<b>AC</b>	5	5001303	1	Filter, Oil	
<b>B</b>	5	2500859	1	Filter, Oil	
●	6	4289891	1	Bolt	
●	7	553855	1	O Ring	

**A** - SLF 1880 (D1105-E4B-TXRN-1)  
**C** - LF510 / Turfcot (D1105-E4B-TXN-3)  
 ● - Used on All Engines

**B** - Truckster / Haulster / Spraytek (D1105-E4B-TXRN-2)

> Change from previous revision

## 4.1 Dipstick and Guide



16696-013-11

# KUBOTA D1105-E4B

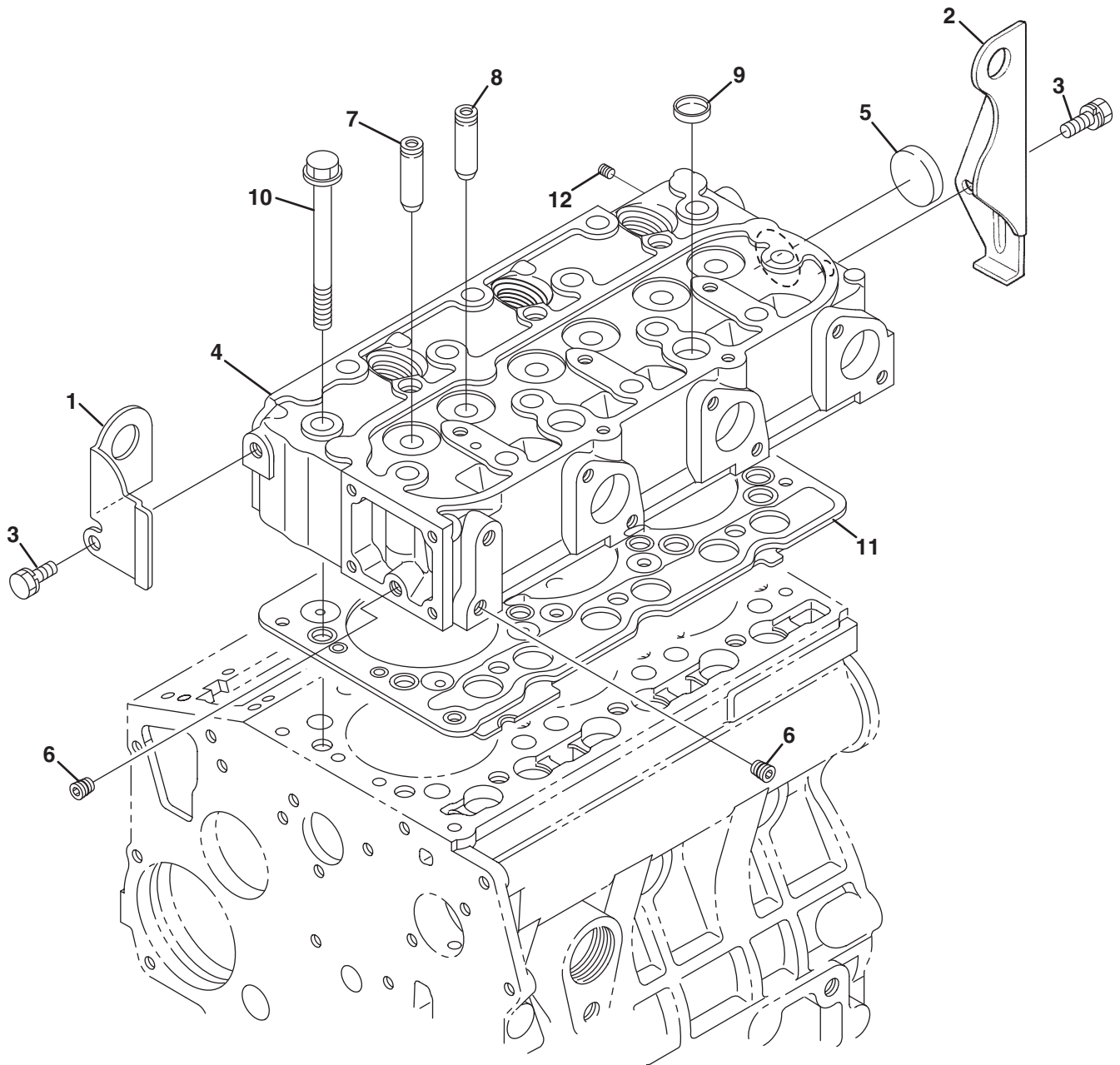
Engine	Item	Part No.	Qty.	Description	Serial Numbers/Notes
<b>AC</b>	1	4111661	1	Gauge, Oil	
<b>B</b>	1	5002955	1	Gauge, Oil	
●	2	2812014	1	Plug, Oil Gauge	
●	3	4111662	1	Guide, Oil Gauge	
<b>B</b>	4	2810877	1	Assembly Guide, Oil Gauge	
<b>B</b>	5	5002033	1	O Ring	
<b>B</b>	6	5001138	1	Bolt	

**A** - SLF 1880 (D1105-E4B-TXRN-1)  
**C** - LF510 / Turfcut (D1105-E4B-TXN-3)  
 ● - Used on All Engines

**B** - Truckster / Haulster / Spraytek (D1105-E4B-TXRN-2)

> Change from previous revision

## 5.1 Cylinder Head



# KUBOTA D1105-E4B

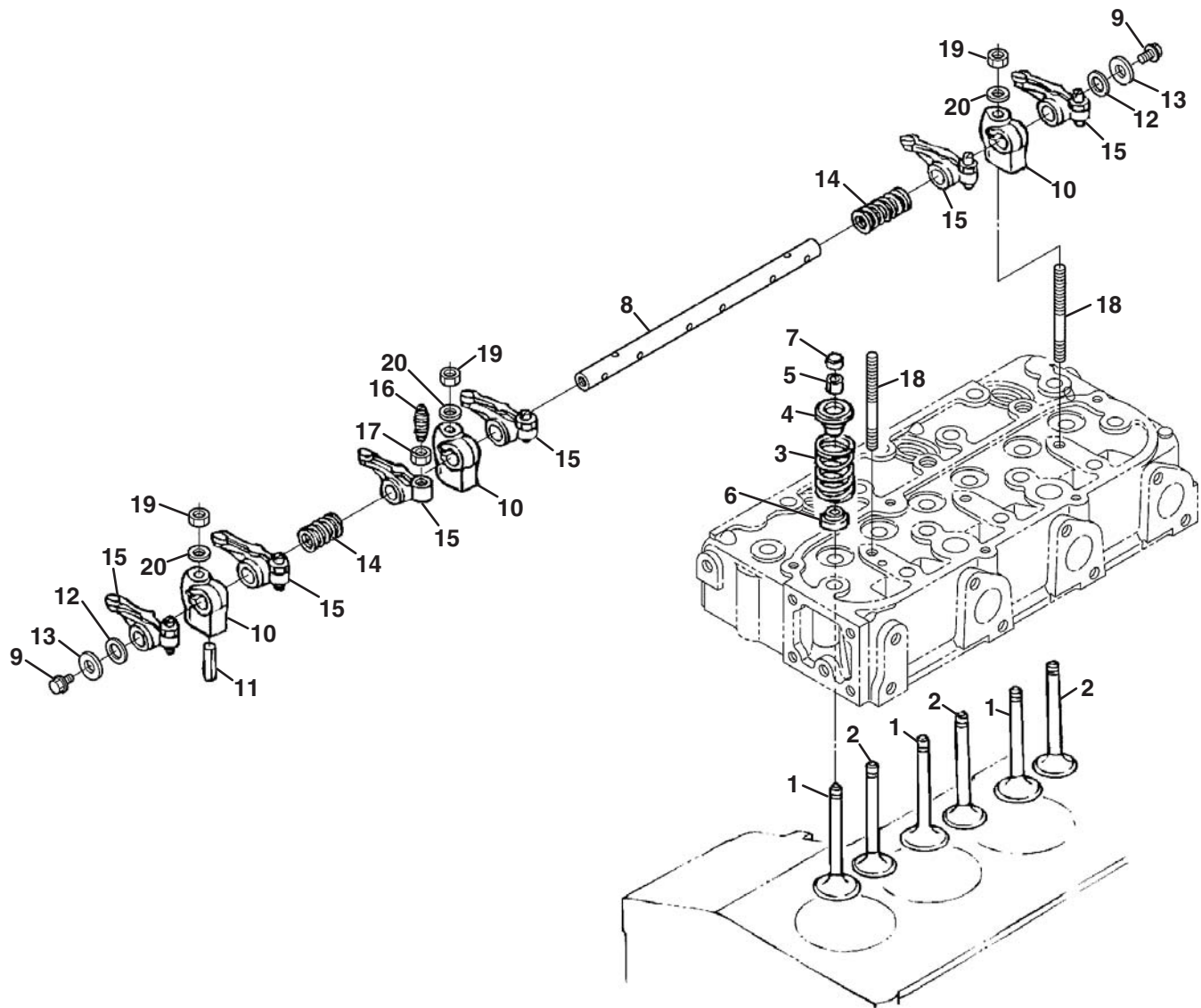
Engine	Item	Part No.	Qty.	Description	Serial Numbers/Notes
●	1	2500886	1	Hook, Engine	
●	2	2500887	1	Hook, Engine	
●	3	4289798	2	Bolt, Sems	
●	4	4306370	1	Comp. Cylinder Head	
●	5	550673	1	• Plug, Cup Type	
●	6	552978	2	• Plug	
●	7	4145830	3	• Guide (Inlet Valve)	
●	8	4145831	3	• Guide (Exhaust Valve)	
●	9	2500888	2	• Plug, Cup Type	
●	10	2500889	14	Bolt, Cylinder Head	
●	11	4183581	1	Gasket, Cylinder Head	

**A** - SLF 1880 (D1105-E4B-TXRN-1)  
**C** - LF510 / Turfcut (D1105-E4B-TXN-3)  
**●** - Used on All Engines

**B** - Truckster / Haulster / Spraytek (D1105-E4B-TXRN-2)

> Change from previous revision

## 6.1 Valve and Rocker Arm



# KUBOTA D1105-E4B

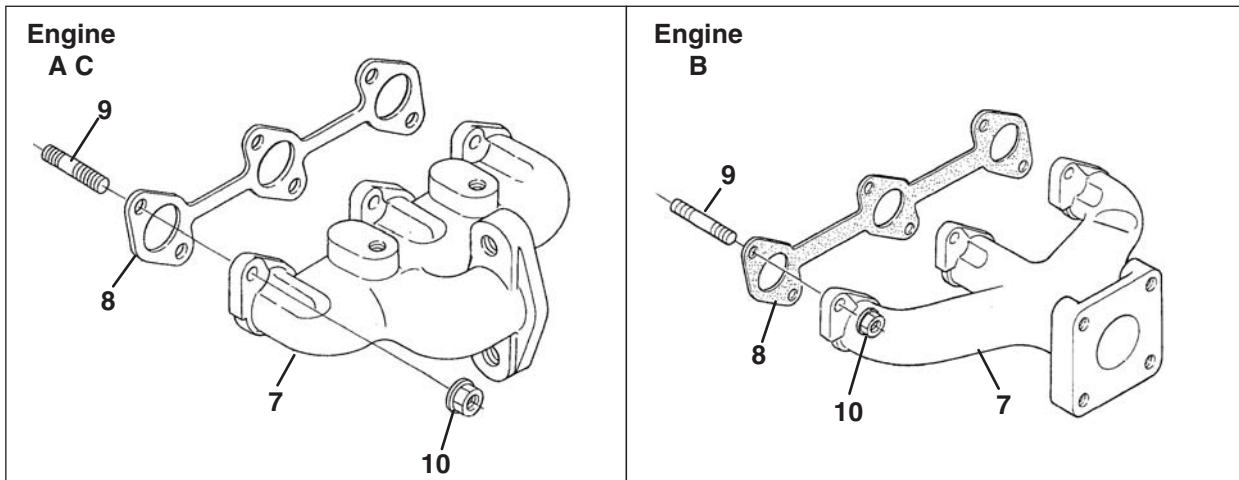
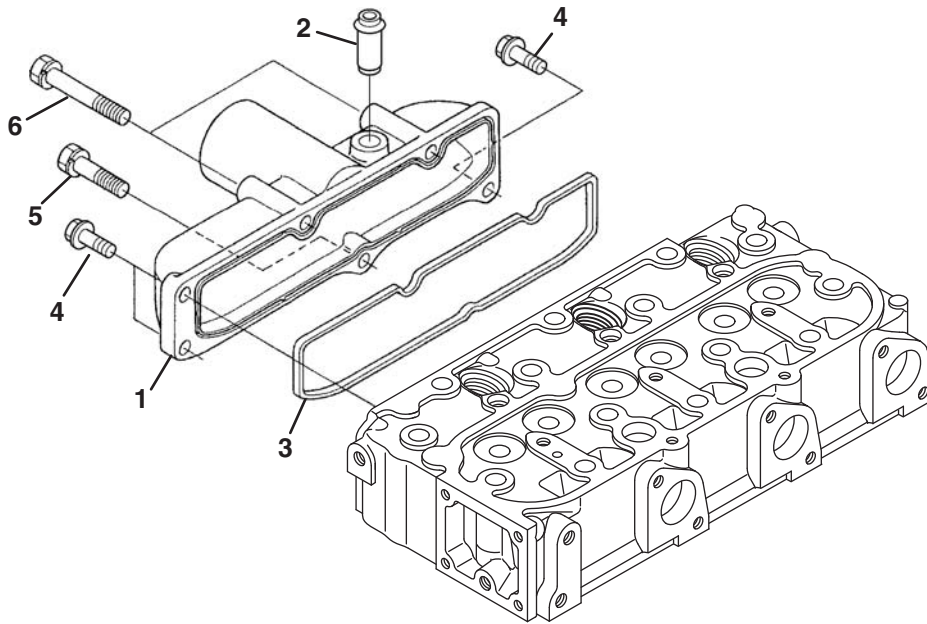
Engine	Item	Part No.	Qty.	Description	Serial Numbers/Notes
●	1	2500827	3	Valve, Inlet	
●	2	2500828	3	Valve, Exhaust	
●	3	2500920	6	Spring, Valve	
●	4	4165620	6	Retainer, Spring	
●	5	2500922	6	Collet, Valve Spring	
●	6	2500923	6	Seal, Valve Stem	
●	7	2500924	6	Cap, Valve	
●	8	4183592	1	Shaft, Rocker Arm	
●	9	5003269	2	Bolt, Flange	
●	10	2500926	3	Bracket, Rocker Arm	
●	11	2809978	1	Pin, Spring	
●	12	2500928	2	Washer, Rocker Arm Shaft	
●	13	554108	2	Washer, Plain	
●	14	2500930	2	Spring, Rocker Arm	
●	15	2500932	6	Assy, Rocker Arm	
●	16	2500933	6	• Screw, Adjusting	
●	17	2500915	6	• Nut	
●	18	2500935	3	Stud	
●	19	2500936	3	Nut	
●	20	2500937	3	Washer, Plain	

**A** - SLF 1880 (D1105-E4B-TXRN-1)  
**C** - LF510 / Turfcut (D1105-E4B-TXN-3)  
**●** - Used on All Engines

**B** - Truckster / Haulster / Spraytek (D1105-E4B-TXRN-2)

> Change from previous revision

## 7.1 Manifolds





# KUBOTA D1105-E4B

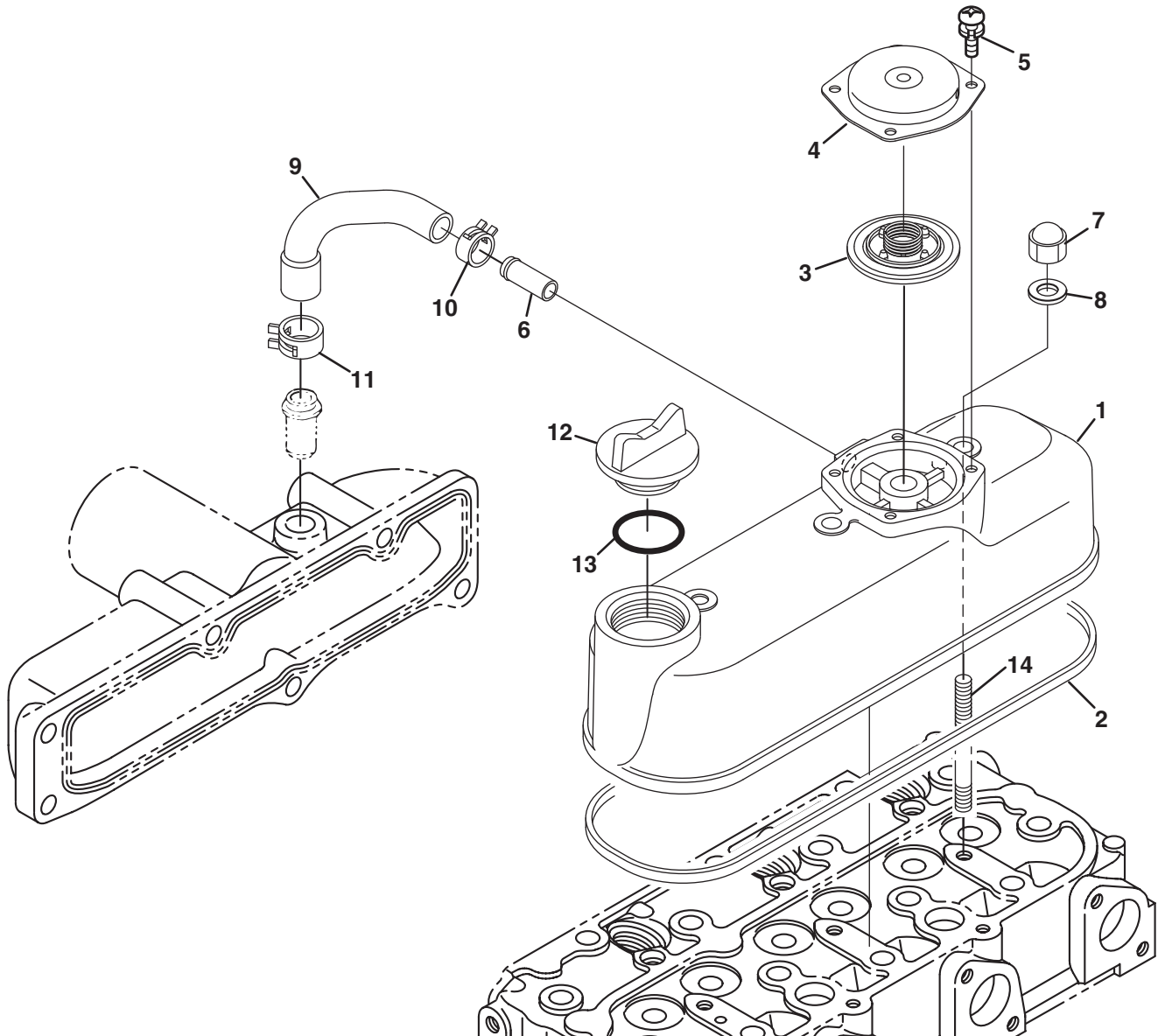
Engine	Item	Part No.	Qty.	Description	Serial Numbers/Notes
●	1	4165648	1	Assy Manifold, Inlet	
●	2	2500911	1	Joint, Breather Pipe	
●	3	2500854	1	Gasket, Inlet Manifold	
●	4	2811976	3	Bolt, Flange	
●	5	2500917	1	Bolt, Sems	
●	6	553842	2	Bolt, Sems	
<b>AC</b>	7	5003475	1	Manifold, Exhaust	
<b>B</b>	7	5001306	1	Manifold, Exhaust	
●	8	5001262	1	Gasket, Exhaust Manifold	
●	9	2500918	6	Stud	
●	10	2500919	6	Nut	

**A** - SLF 1880 (D1105-E4B-TXRN-1)  
**C** - LF510 / Turfcut (D1105-E4B-TXN-3)  
**●** - Used on All Engines

**B** - Truckster / Haulster / Spraytek (D1105-E4B-TXRN-2)

> Change from previous revision

## 8.1 Head Cover



# KUBOTA D1105-E4B

Engine	Item	Part No.	Qty.	Description	Serial Numbers/Notes
●	1	4165656	1	Assy Cover, Cyl. Head	
●	2	2500856	1	• Gasket, Head Cover	
●	3	4145912	1	• Comp Valve, Breather	
●	4	4145911	1	• Cover, Breather	
●	5	4165421	4	• Screw, Sems Pan Head	
●	6	4134204	1	• Pipe, Water Return	
●	7	550838	3	Nut, Cap	
●	8	550839	3	Gasket	
●	9	4165655	1	Tube, Breather	
●	10	4134199	1	Clamp, Hose	
●	11	4165526	1	Clamp, Hose	
●	12	4145944	1	Plug (Oil Filler)	
●	13	4306378	1	O-ring	

**A** - SLF 1880 (D1105-E4B-TXRN-1)  
**C** - LF510 / Turfcut (D1105-E4B-TXN-3)  
**●** - Used on All Engines

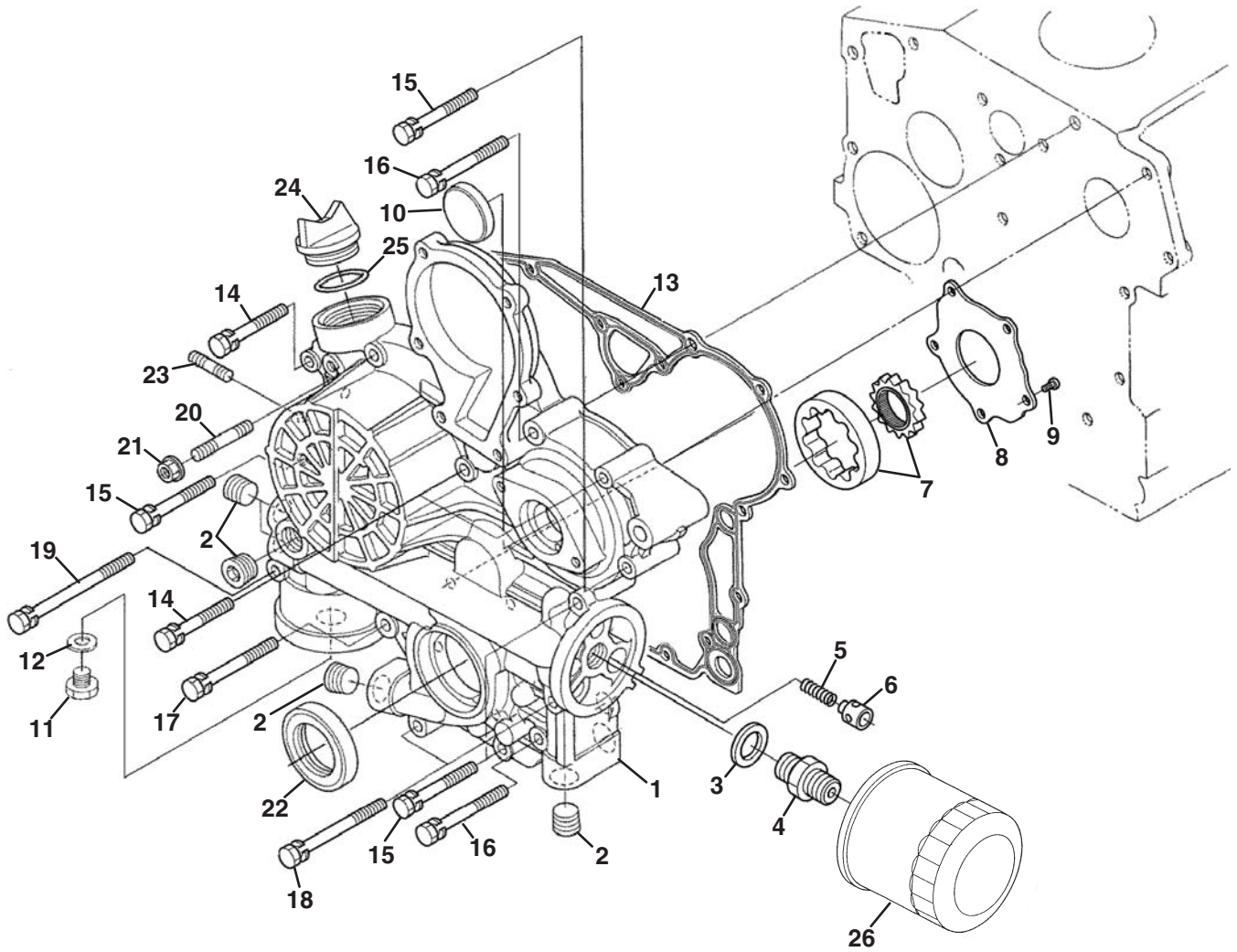
**B** - Truckster / Haulster / Spraytek (D1105-E4B-TXRN-2)

> Change from previous revision

# KUBOTA D1105-E4B

Serial No. All

## 9.1 Gear Case LF510 and SLF 1880



# KUBOTA D1105-E4B

Engine	Item	Part No.	Qty.	Description	Serial Numbers/Notes
<b>A</b>	1	4306371	1	Case, Gear, Comp	
<b>C</b>	1	4310286	1	Case, Gear, Comp	
<b>AC</b>	2	5001255	5	• Plug	
<b>AC</b>	3	594351	1	• Washer, Plain	
<b>AC</b>	4	2500892	1	• Joint, Pipe	
<b>AC</b>	5	4306373	1	• Spring	
<b>AC</b>	6	4306374	1	• Valve, Relief	
<b>AC</b>	7	4306375	1	• Assy, Oil Pump Rotor	
<b>AC</b>	8	4306376	1	• Cover, Oil Pump	
<b>AC</b>	9	4306377	5	• Screw, Binding	
<b>AC</b>	10	5001276	1	Cover, Gear Case	
<b>AC</b>	11	557859	1	Plug	
<b>AC</b>	12	557960	1	Packing, Plug	
<b>AC</b>	13	5001269	1	Gasket, Gear Case	
<b>AC</b>	14	553481	3	Bolt, Sems	
<b>AC</b>	15	553842	4	Bolt, Sems	
<b>AC</b>	16	2500899	2	Bolt, Sems	
<b>AC</b>	17	554097	1	Bolt	
<b>AC</b>	18	2500900	2	Bolt	
<b>AC</b>	19	557861	1	Bolt	
<b>AC</b>	20	2500901	1	Stud	
<b>AC</b>	21	2810647	1	Nut, Flange	
<b>AC</b>	22	2500902	1	Seal, Oil	
<b>AC</b>	23	550386	2	Stud	
<b>AC</b>	24	4145944	1	Plug, Oil Filler	
<b>AC</b>	25	4306378	1	O-Ring	
<b>AC</b>	26	4177262	1	Cartridge Oil Filter	

**A** - SLF 1880 (D1105-E4B-TXRN-1)  
**C** - LF510 / Turfcut (D1105-E4B-TXN-3)  
**●** - Used on All Engines

**B** - Truckster / Haulster / Spraytek (D1105-E4B-TXRN-2)

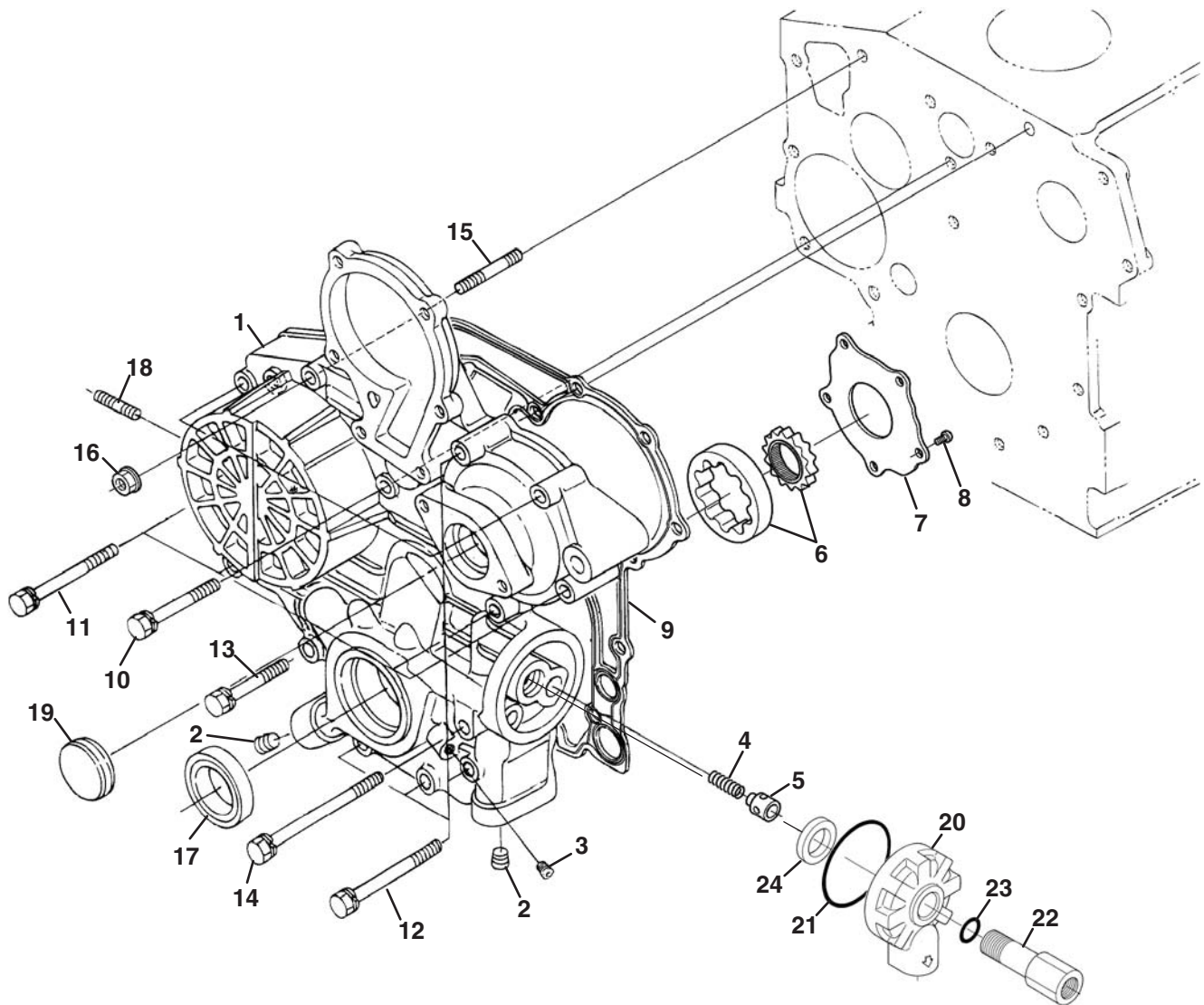
> Change from previous revision

# KUBOTA D1105-E4B

Serial No. All

## 10.1 Gear Case

Truckster, Haulster and Spraytek



# KUBOTA D1105-E4B

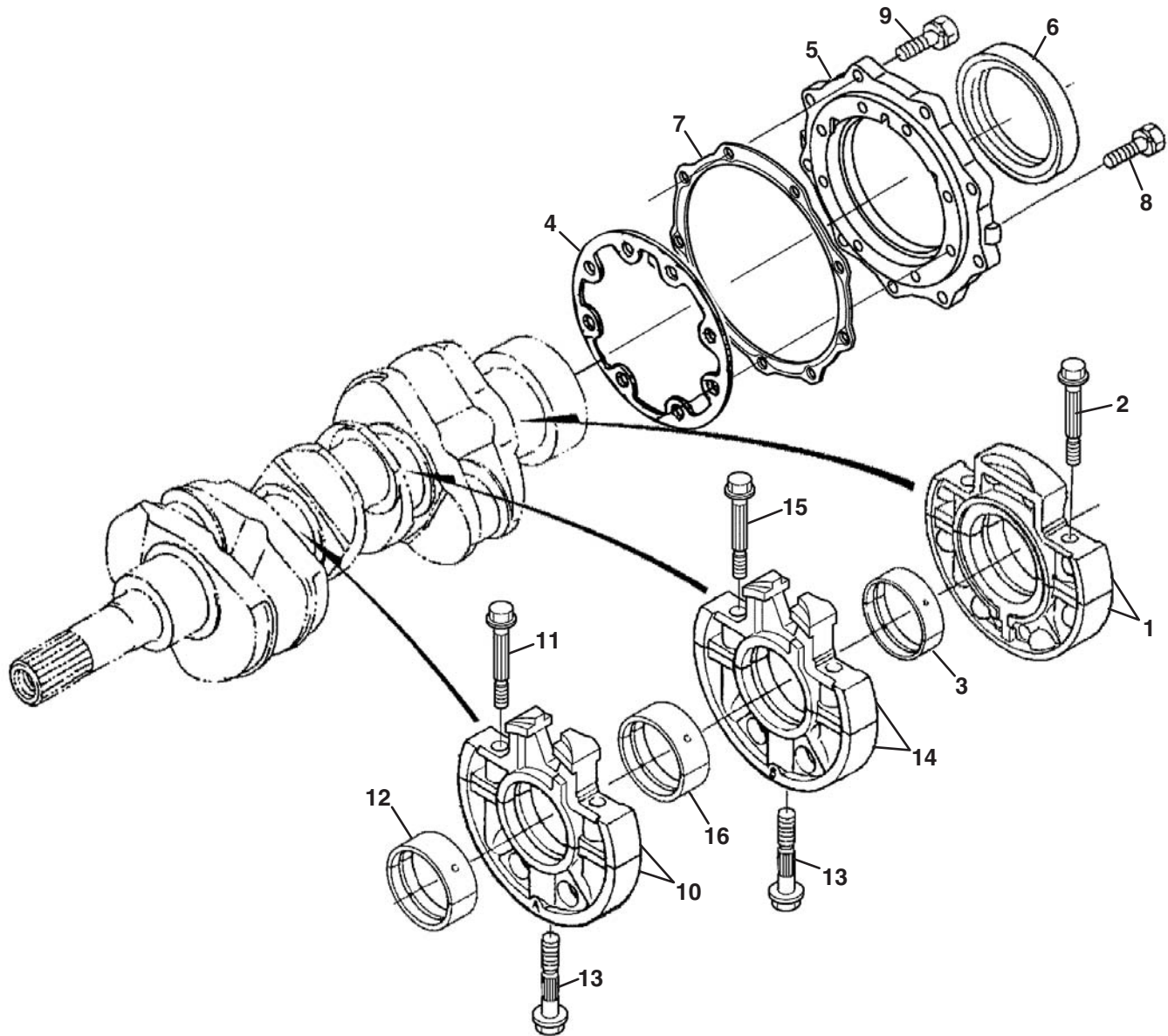
Engine	Item	Part No.	Qty.	Description	Serial Numbers/Notes
<b>B</b>	1	4306372	1	Case, Gear,comp	
<b>B</b>	2	5001255	2	• Plug	
<b>B</b>	3	552950	1	• Plug	
<b>B</b>	4	4306373	1	• Spring	
<b>B</b>	5	4306374	1	• Valve, Relief	
<b>B</b>	6	4306375	1	• Assy, Oil Pump Rotor	
<b>B</b>	7	4306376	1	• Cover, Oil Pump	
<b>B</b>	8	4306377	5	• Screw, Binding	
<b>B</b>	9	5001269	1	Gasket, Gear Case	
<b>B</b>	10	553481	3	Bolt, Sems	
<b>B</b>	11	553842	4	Bolt, Sems	
<b>B</b>	12	2500899	4	Bolt, Sems	
<b>B</b>	13	4183611	1	Bolt, Sems	
<b>B</b>	14	2500900	1	Bolt	
<b>B</b>	15	2500901	1	Stud	
<b>B</b>	16	2810647	1	Nut, Flange	
<b>B</b>	17	2500902	1	Seal, Oil	
<b>B</b>	18	550386	2	Stud	
<b>B</b>	19	5001276	1	Cover, Gear Case	
<b>B</b>	20	4183612	1	Base, Oil Filter	
<b>B</b>	21	5002751	1	O Ring	
<b>B</b>	22	4183613	1	Joint, Pipe	
<b>B</b>	23	2809954	1	O Ring	
<b>B</b>	24	4183614	1	Collar	

**A** - SLF 1880 (D1105-E4B-TXRN-1)  
**C** - LF510 / Turfcats (D1105-E4B-TXN-3)  
**●** - Used on All Engines

**B** - Truckster / Haulster / Spraytek (D1105-E4B-TXRN-2)

> Change from previous revision

## 11.1 Main Bearing Case





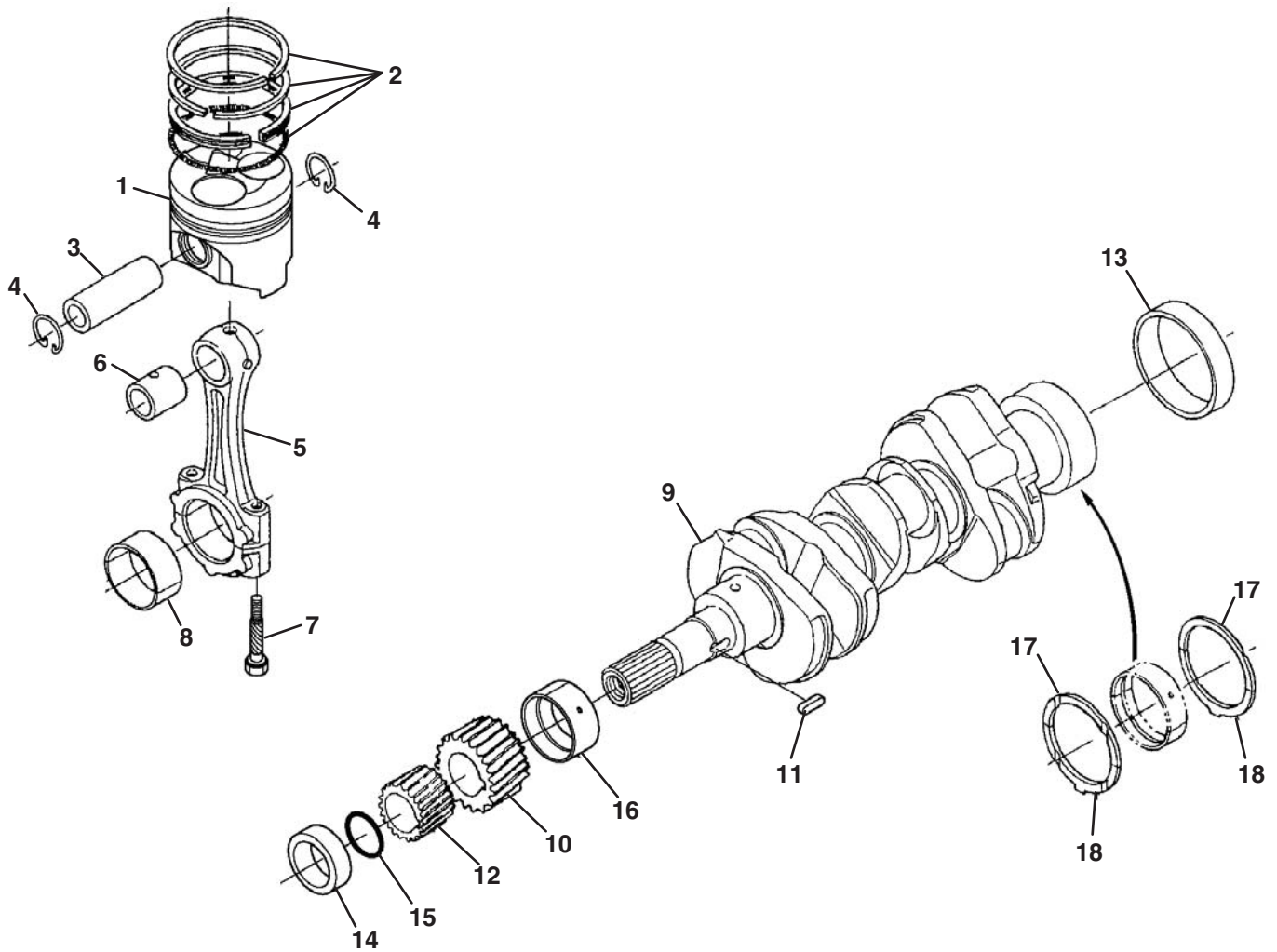
Engine	Item	Part No.	Qty.	Description	Serial Numbers/Notes
●	1	4177263	1	Assy, Bearing Case	
●	2	2500905	2	• Bolt, Bearing Case	
▼	●	3	2500838	1 • Metal, Crankshaft	STD Set
■	●	3	2500839	1 Metal, Crankshaft	-0.20 mm Set
◆	●	3	2500840	1 Metal, Crankshaft	-0.40 mm Set
	●	4	4306379	1 Gasket, Bearing Case	
	●	5	5001241	1 Cover, Bearing Case	
	●	6	2500825	1 Seal, Oil	
	●	7	5001270	1 Gasket	
	●	8	4306380	8 Bolt	
	●	9	4306381	9 Bolt	
	●	10	4177223	1 Assy, Bearing Case, Main	
	●	11	2500905	2 • Bolt, Bearing Case	
▼	●	12	2500837	1 • Metal, Crankshaft	STD Set
■	●	12	2809969	1 Metal, Crankshaft	-0.20 mm Set
◆	●	12	2809970	1 Metal, Crankshaft	-0.40 mm Set
	●	13	2500908	2 Bolt(Case,brg)	
	●	14	4177224	1 Assy, Bearing Case, Main	
	●	15	2500905	2 • Bolt, Bearing Case	
▼	●	16	2500837	1 • Metal, Crankshaft	STD Set
■	●	16	2809969	1 Metal, Crankshaft	-0.20 mm Set
◆	●	16	2809970	1 Metal, Crankshaft	-0.40 mm Set
▼	Included in STD Metal Kit 4306400, <b>See 12.1</b>				
■	Included in -0.20/+0.20 Metal Kit 4306401, <b>See 12.1</b>				
◆	Included in -0.40/+0.40 Metal Kit 4306402, <b>See 12.1</b>				

**A** - SLF 1880 (D1105-E4B-TXRN-1)  
**C** - LF510 / Turfcat (D1105-E4B-TXN-3)  
 ● - Used on All Engines

**B** - Truckster / Haulster / Spraytek (D1105-E4B-TXRN-2)

> Change from previous revision

## 12.1 Pistons and Crankshaft



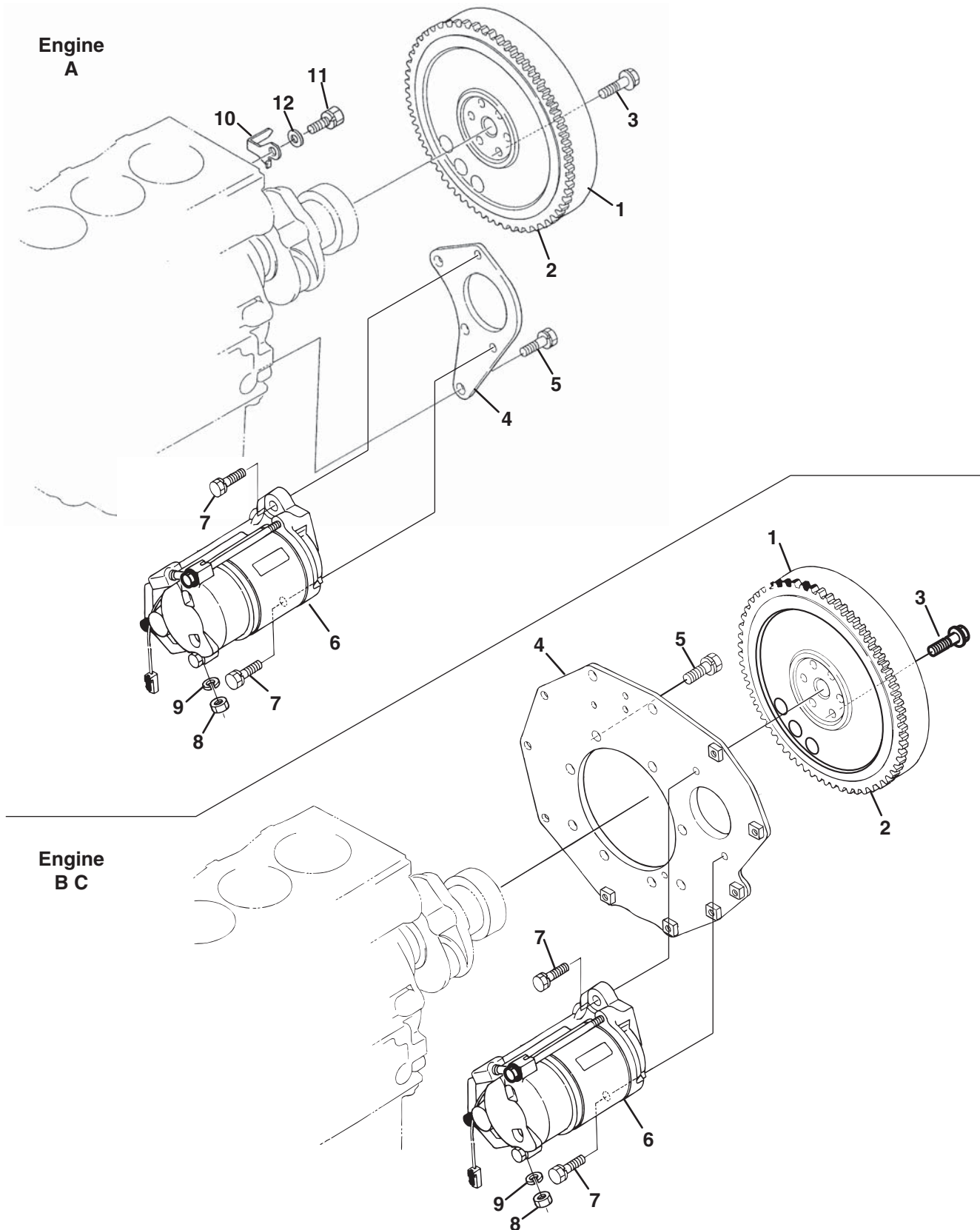
	Engine	Item	Part No.	Qty.	Description	Serial Numbers/Notes
❖	●	1	4306383	3	Piston	STD
★	●	1	4306384	3	Piston	+0.50 mm
❖	●	2	4306385	3	Assy, Piston Ring	STD
★	●	2	4306386	3	Assy, Piston Ring	+0.50 mm
❖★	●	3	2500831	3	Pin, Piston	
❖★	●	4	2500832	6	Circlip, Piston Pin	
	●	5	5002742	3	Assy, Connecting Rod	
❖★	●	6	2500949	3	• Bushing (Pin, Piston)	
	●	7	2500950	6	• Bolt (Connecting Rod)	
▼	●	8	2809961	3	• Metal, Crank Pin	STD Set
■	●	8	2809962	3	Metal, Crank Pin	-0.20 mm Set
◆	●	8	2809963	3	Metal, Crank Pin	-0.40 mm Set
	●	9	5001278	1	Comp. Crankshaft	
	●	10	4206384	1	• Gear, Crankshaft	
	●	11	2500955	1	• Key	
	●	12	4306387	1	• Gear, Oil Pump Drive	
	●	13	555567	1	• Sleeve, Crankshaft	
	●	14	4306388	1	Collar, Crankshaft	
	●	15	2809964	1	Ring	
▼	●	16	2809965	1	Metal, Crankshaft	STD Set
■	●	16	2809966	1	Metal, Crankshaft	-0.20 mm Set
◆	●	16	2809967	1	Metal, Crankshaft	-0.40 mm Set
▼	●	17	553093	2	Metal, Side	STD Set
■	●	17	2500812	2	Metal, Side	+0.20 mm Set
◆	●	17	2500813	2	Metal, Side	+0.40 mm Set
▼	●	18	553094	2	Metal, Side	STD Set
■	●	18	2500868	2	Metal, Side	+0.20 mm Set
◆	●	18	2500869	2	Metal, Side	+0.40 mm Set
▼	Included in STD Metal Kit 4306400					
■	Included in -0.20/+0.20 Metal Kit 4306401					
◆	Included in -0.40/+0.40 Metal Kit 4306402					
❖	Included in STD Piston Kit 4306398					
★	Included in +0.50 mm Piston Kit 4306399					

**A** - SLF 1880 (D1105-E4B-TXRN-1)  
**C** - LF510 / Turfcot (D1105-E4B-TXN-3)  
 ● - Used on All Engines

**B** - Truckster / Haulster / Spraytek (D1105-E4B-TXRN-2)

> Change from previous revision

## 13.1 Flywheel and Starter



# KUBOTA D1105-E4B

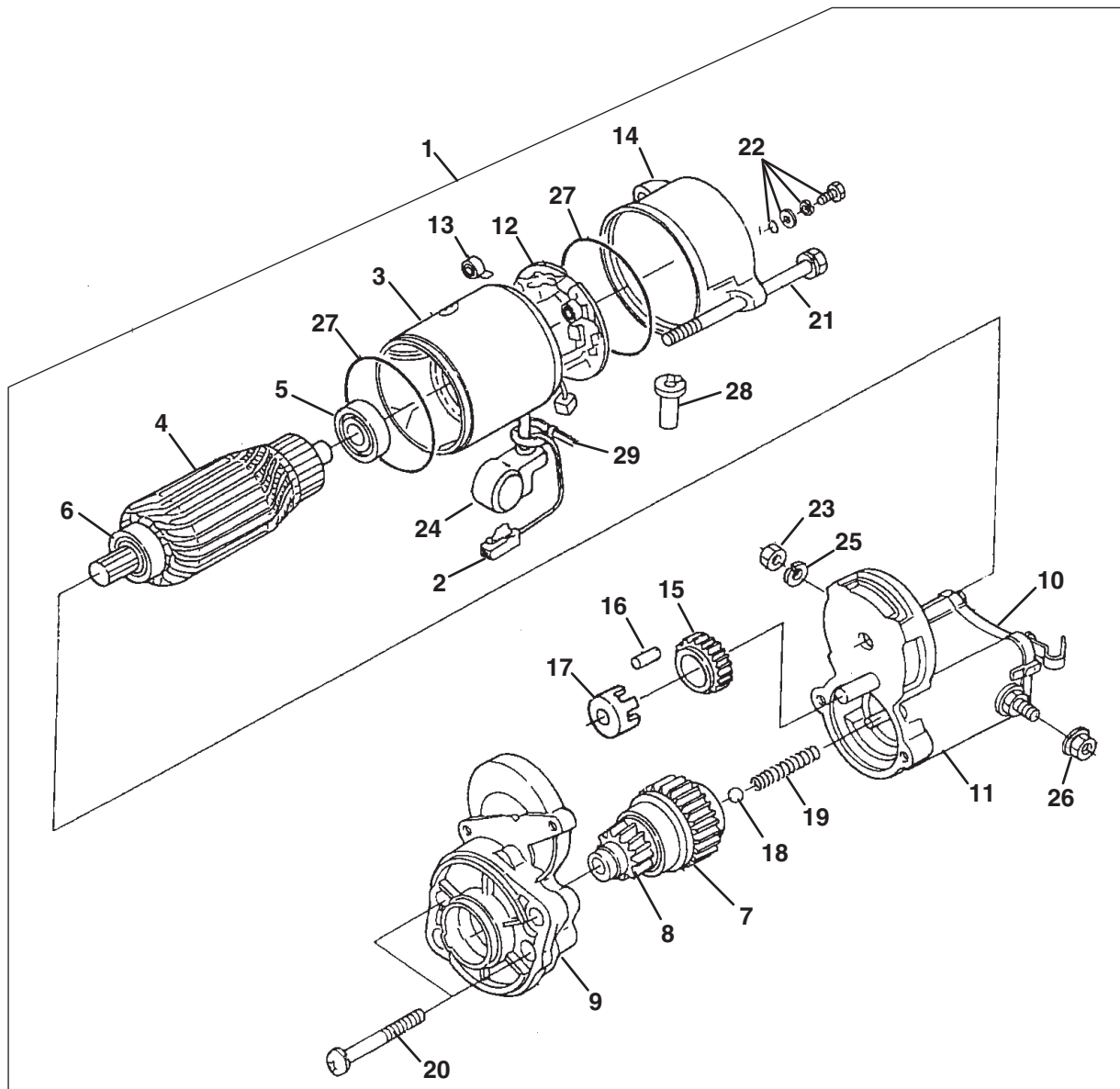
Engine	Item	Part No.	Qty.	Description	Serial Numbers/Notes
●	1	5001302	1	Comp. Flywheel	
●	2	4177268	1	• Gear, Ring	
●	3	555571	6	Bolt, Flywheel	
A	4	5003470	1	Plate, Rear End	
BC	4	2500958	1	Plate, Rear End	
●	5	2500959	8	Bolt	
●	6	557888	1	Assy Starter	
●	7	2500960	2	Bolt	
●	8	550395	1	Hex. Nut	
●	9	5002002	1	Washer, Spring Lock	
A	10	5003472	1	Plate, Timing	
A	11	5003473	1	Bolt	
A	12	4165422	1	Washer, Plain	

**A** - SLF 1880 (D1105-E4B-TXRN-1)  
**C** - LF510 / Turfcut (D1105-E4B-TXN-3)  
**●** - Used on All Engines

**B** - Truckster / Haulster / Spraytek (D1105-E4B-TXRN-2)

> Change from previous revision

## 14.1 Starter



# KUBOTA D1105-E4B

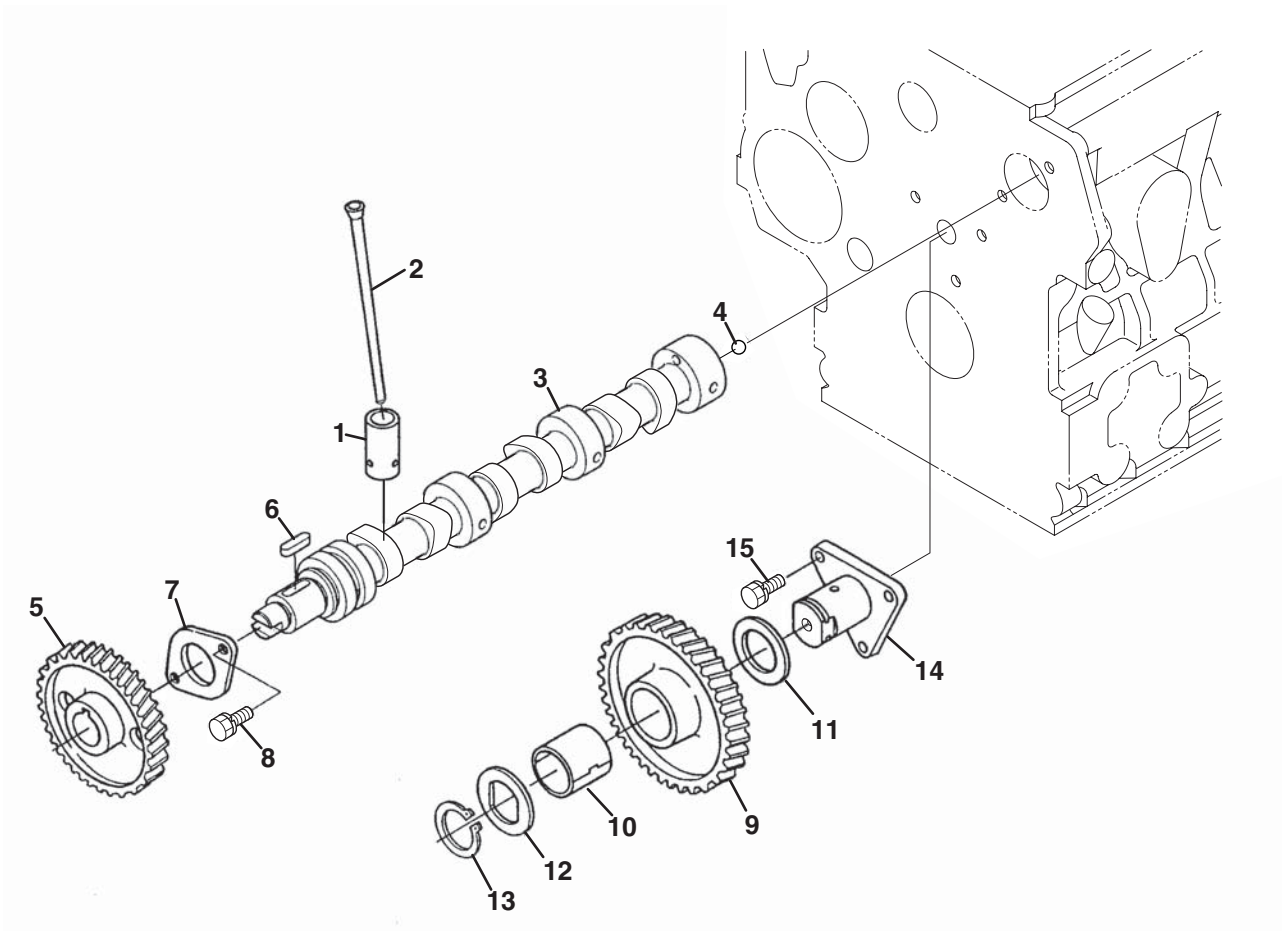
Engine	Item	Part No.	Qty.	Description	Serial Numbers/Notes
●	1	557888	1	Assy Starter	
●	2	5001292	1	• Band, Cover	
●	3	557890	1	• Yoke	
●	4	557891	1	• Armature	
●	5	557893	1	• Bearing	
●	6	557892	1	• Bearing	
●	7	557894	1	• Assy Clutch	
●	8	557895	1	• Pinion, Bevel	
●	9	557896	1	• Assy Housing	
●	10	557897	1	• Assy Switch, Magnetic	
●	11	4145832	1	• Assy Cover	
●	12	557898	1	• Assy Holder, Brush	
●	13	557899	4	• Spring, Brush	
●	14	557900	1	• Assy Frame, End	
●	15	2810751	1	• Gear	
●	16	557902	5	• Roller	
●	17	557903	1	• Retainer	
●	18	557904	1	• Ball	
●	19	557905	1	• Spring	
●	20	557906	2	• Bolt	
●	21	557907	2	• Bolt, Through	
●	22	557908	2	• Assy Bolt	
●	23	557912	1	• Nut, Hexagon	
●	24	557910	1	• Cover	
●	25	557911	1	• Washer, Spring	
●	26	557909	1	• Nut, Hexagon	
●	27	5001244	2	• O Ring	
●	28	5003301	1	• Pipe, drain	
●	29	557913	1	• Cord, Stop Solenoid	

**A** - SLF 1880 (D1105-E4B-TXRN-1)  
**C** - LF510 / Turfcut (D1105-E4B-TXN-3)  
 ● - Used on All Engines

**B** - Truckster / Haulster / Spraytek (D1105-E4B-TXRN-2)

> Change from previous revision

## 15.1 Camshaft





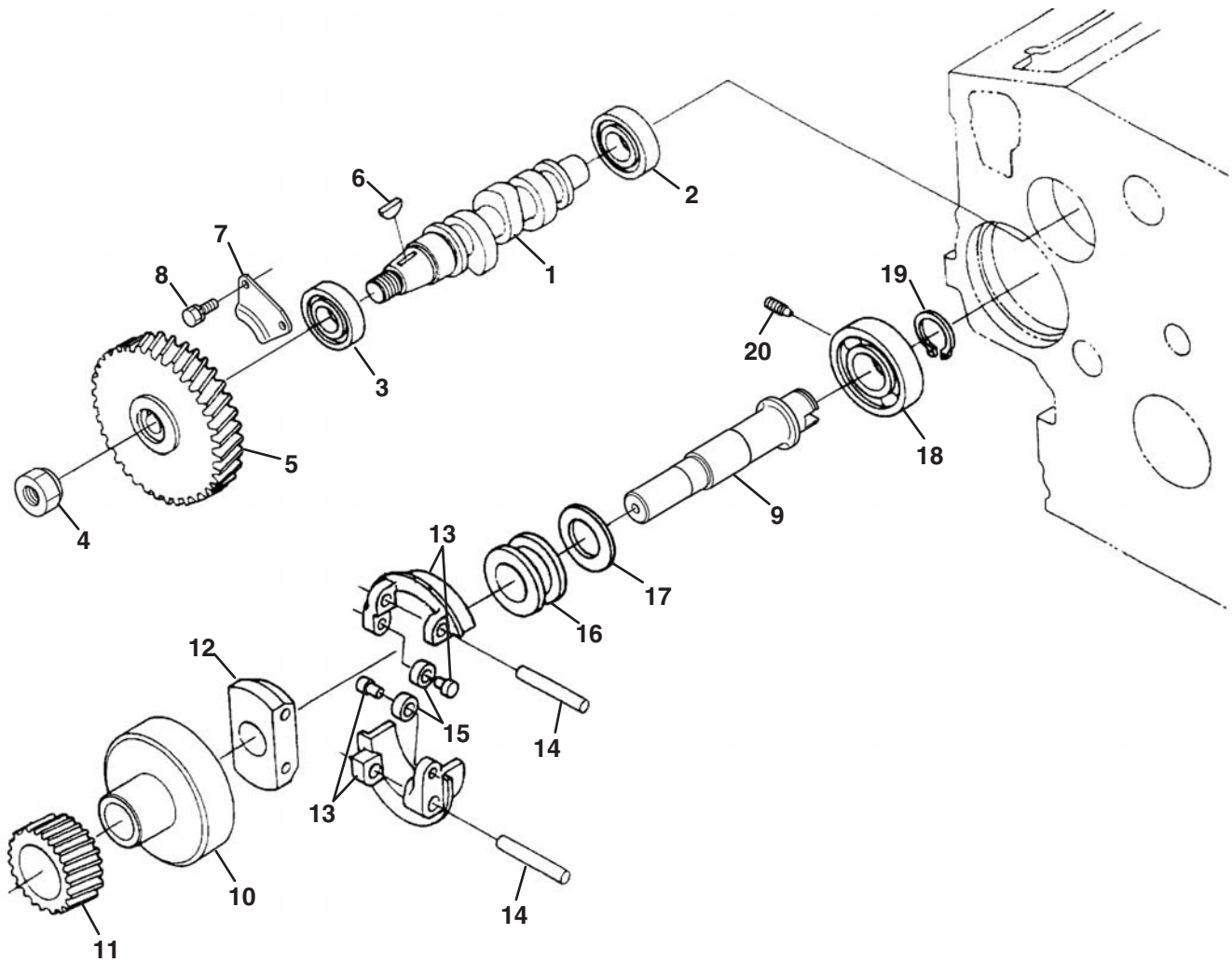
# KUBOTA D1105-E4B

Engine	Item	Part No.	Qty.	Description	Serial Numbers/Notes
●	1	4177265	6	Tappet	
●	2	2500949	6	Push Rod	
●	3	4306382	1	Assy, Camshaft	
●	4	2500953	1	• Ball 1/4	
●	5	2500940	1	• Gear, Cam	
●	6	553860	1	• Feather Key	
●	7	2500941	1	• Stopper, Camshaft	
●	8	550362	2	Bolt, Sems	
●	9	2500942	1	Comp Gear, Idle	
●	10	2500943	1	• Bush, Idle Gear	
●	11	2500944	1	Collar, Idle Gear	
●	12	2500945	1	Collar, Idle Gear	
●	13	2500946	1	Circlip, Idle Gear	
●	14	2500947	1	Shaft, Idle Gear	
●	15	550362	3	Bolt, Sems	

**A** - SLF 1880 (D1105-E4B-TXRN-1)  
**C** - LF510 / Turfcut (D1105-E4B-TXN-3)  
**●** - Used on All Engines

**B** - Truckster / Haulster / Spraytek (D1105-E4B-TXRN-2)

> Change from previous revision



# KUBOTA D1105-E4B

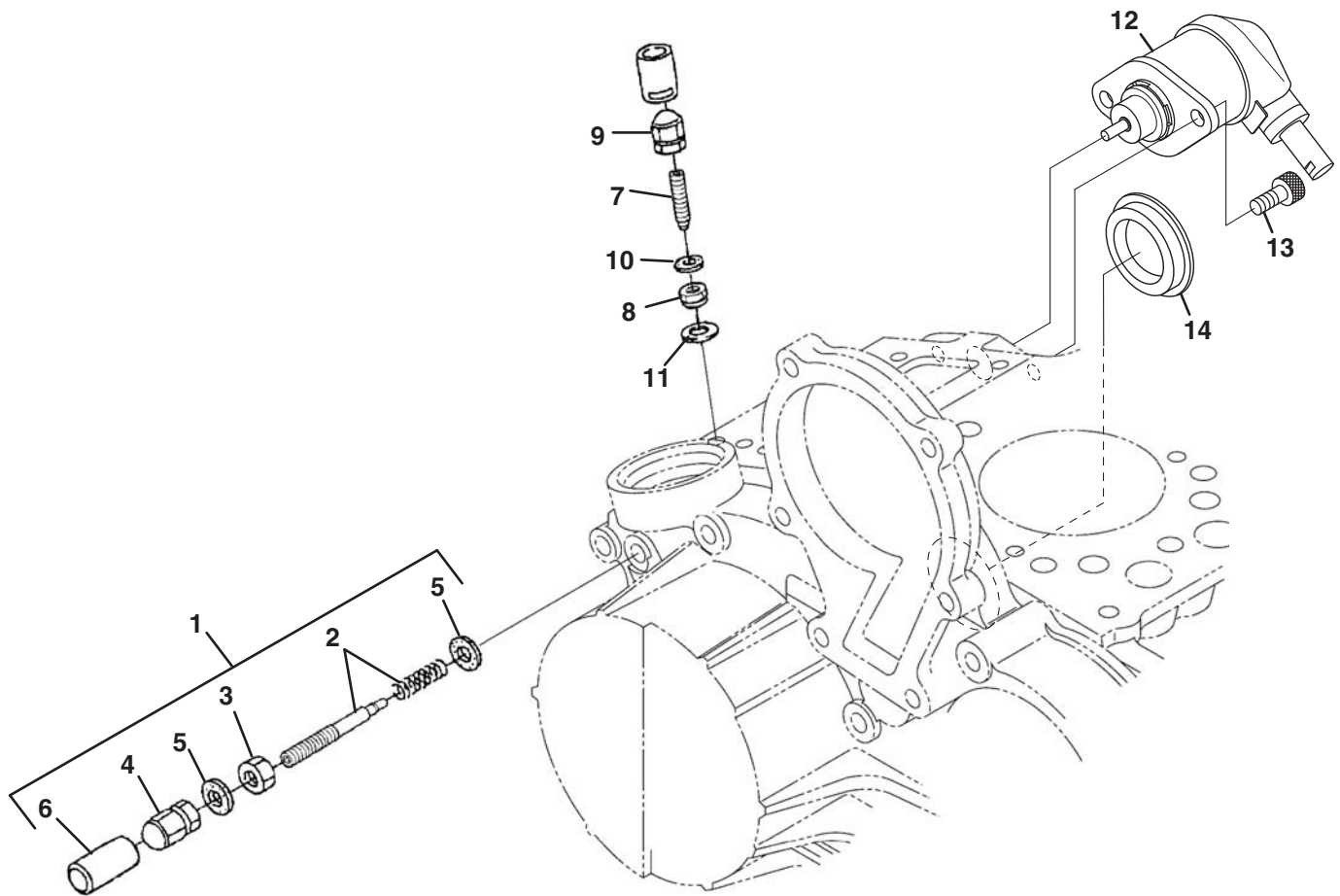
Engine	Item	Part No.	Qty.	Description	Serial Numbers/Notes
●	1	5000897	1	Camshaft (Fuel)	
●	2	4165622	1	Bearing, Ball	
●	3	4165623	1	Bearing, Ball	
●	4	4306389	1	Nut	
●	5	4306390	1	Gear, Injection Pump	
●	6	2500967	1	Key, Woodruff	
●	7	2500969	1	Stopper (Fuel C/shaft)	
●	8	550362	2	Bolt, Sems	
●	9	5001279	1	Assy Shaft, Governor	
●	10	5001247	1	• Holder, Governor Gear	
●	11	2500972	1	• Gear, Governor	
●	12	2500973	1	• Holder, Governor Weight	
●	13	5001246		• Comp. Weight, Governor 2	
●	14	2500975	2	• Shaft, Governor Weight	
●	15	5001314	2	• Roller	
●	16	2500976	1	• Sleeve, Governor	
●	17	5001147	1	• Washer, Thrust	
●	18	4165624	1	Bearing, Ball	
●	19	2500979	1	Circlip, Governor Shaft	
●	20	2500980	1	Screw, Set	

**A** - SLF 1880 (D1105-E4B-TXRN-1)  
**C** - LF510 / Turfcut (D1105-E4B-TXN-3)  
**●** - Used on All Engines

**B** - Truckster / Haulster / Spraytek (D1105-E4B-TXRN-2)

> Change from previous revision

## 17.1 Idle Apparatus



# KUBOTA D1105-E4B

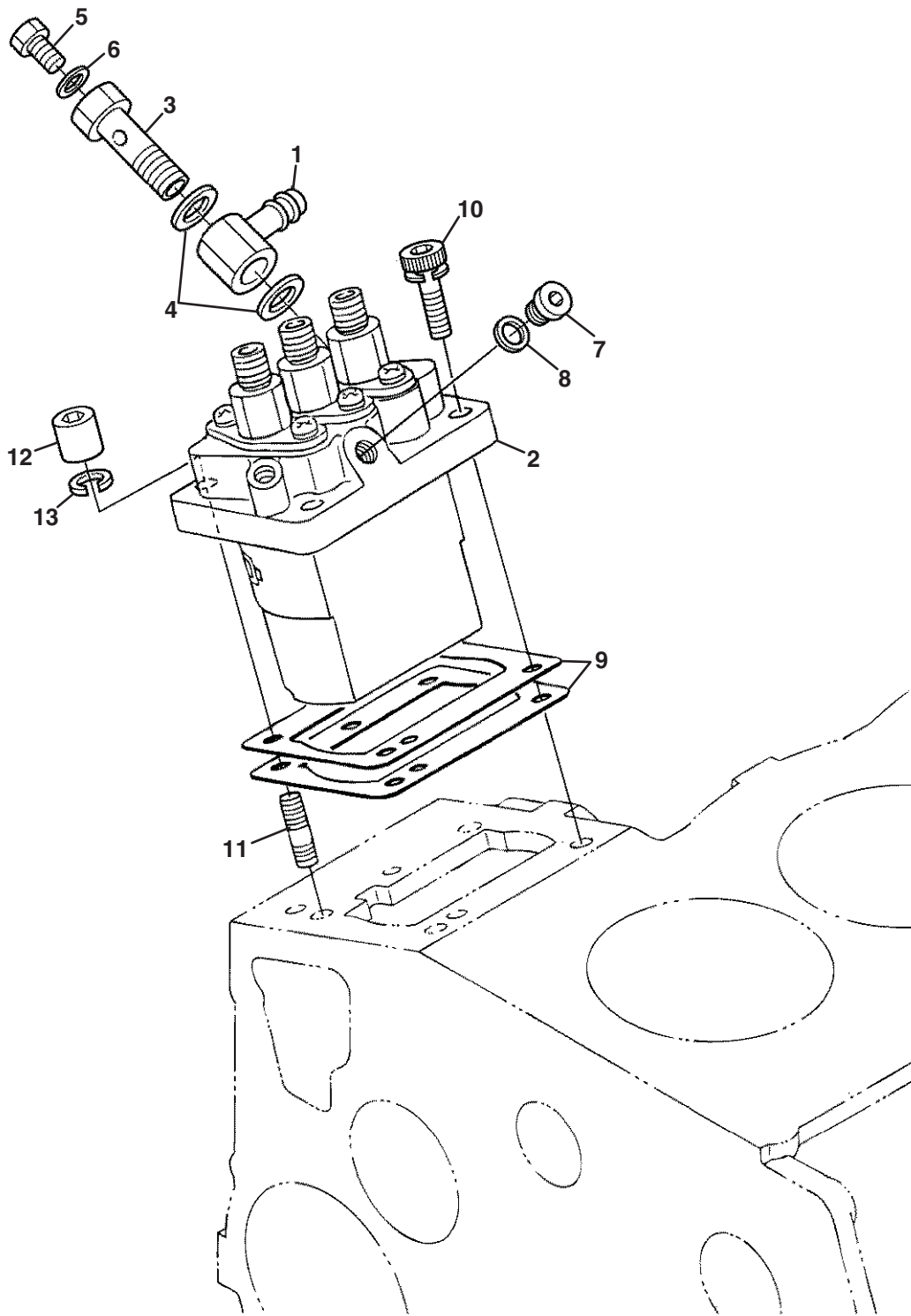
Engine	Item	Part No.	Qty.	Description	Serial Numbers/Notes
<b>AC</b>	1	557934	1	Assy Apparatus, Idle	
<b>B</b>	1	2500894	1	Assy Apparatus, Idle	
<b>AC</b>	2	5001257	1	Assy Bolt, Adjusting	
<b>B</b>	2	5001285	1	Assy Bolt, Adjusting	
●	3	5002018	1	Nut	
●	4	4138091	1	Nut, Cap	
●	5	553143	2	Gasket	
●	6	4165442	1	Cap	
●	7	2500987	1	Bolt, Adjusting	
●	8	4138090	1	Nut, Lock	
●	9	4138091	1	Nut, Cap	
●	10	553143	1	Gasket	
●	11	4145906	1	Gasket	
●	12	2811021	1	Assy Solenoid, Stop	
●	13	4306391	2	Bolt, Socket Head	
●	14	5001275	1	Cover, Hydraulic Pump	

**A** - SLF 1880 (D1105-E4B-TXRN-1)  
**C** - LF510 / Turfcut (D1105-E4B-TXN-3)  
 ● - Used on All Engines

**B** - Truckster / Haulster / Spraytek (D1105-E4B-TXRN-2)

> Change from previous revision

## 18.1 Injection Pump



# KUBOTA D1105-E4B

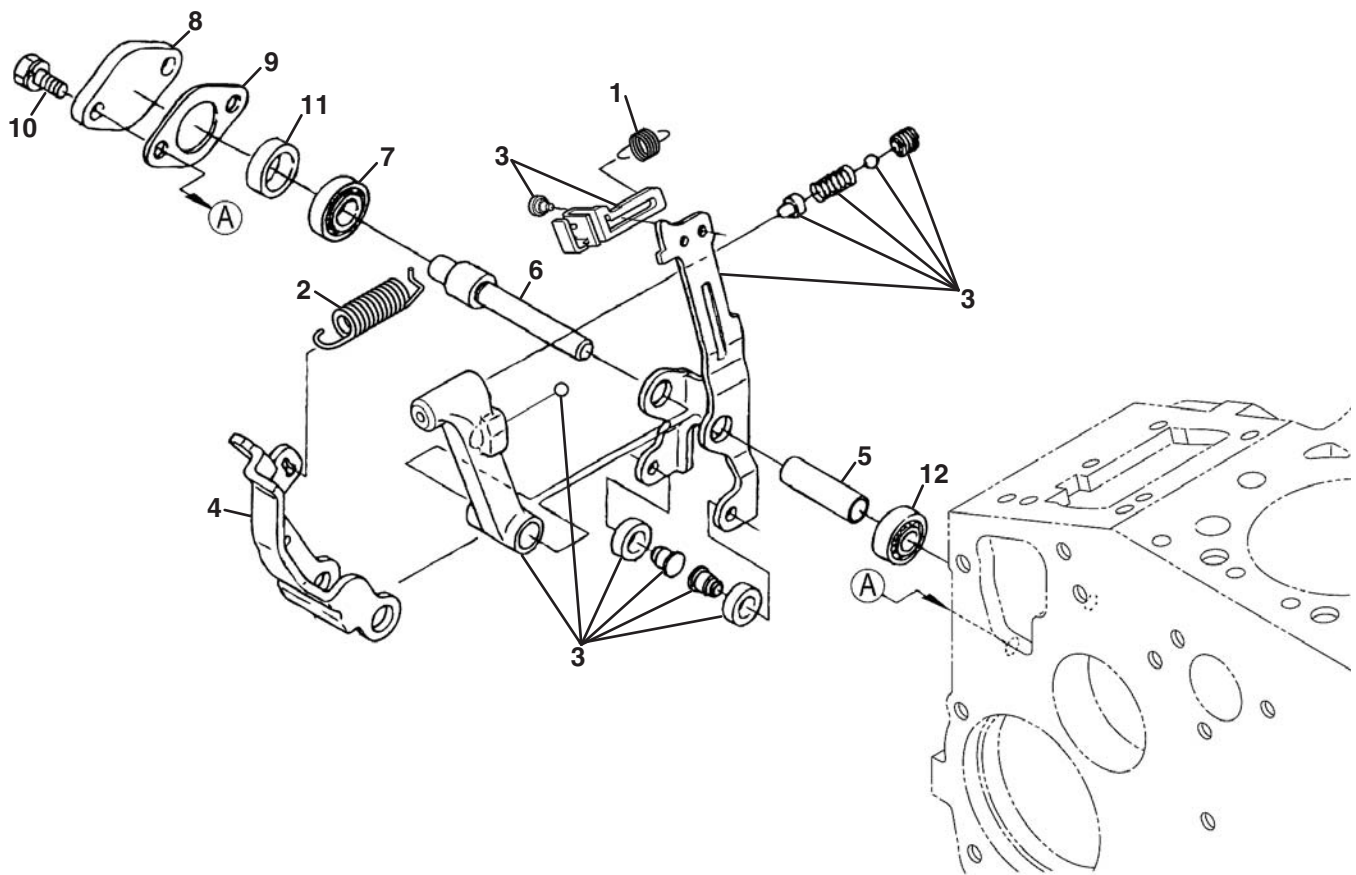
Engine	Item	Part No.	Qty.	Description	Serial Numbers/Notes
●	1	2500961	1	Joint, Eye	
●	2	5000894	1	Assy Pump, Injection	
●	3	5001215	1	Bolt, Joint	
●	4	554116	2	Gasket	
●	5	554036	1	Screw (Air Bleeder)	
●	6	554117	1	Gasket	
●	7	5001217	1	Plug	
●	8	557584	1	Gasket	
●	9	4183583	1	Shim, Injection Pump	0.175 mm
●	9	554202	1	Shim, Injection Pump	0.200 mm
●	9	5000886	1	Shim, Injection Pump	0.250 mm
●	9	5001118	1	Shim, Injection Pump	0.300 mm
●	9	4183584	1	Shim, Injection Pump	0.350 mm
●	10	4206382	2	Screw, Hex Soc. Cap	
●	11	554099	2	Stud	
●	12	554104	2	Nut, Cap	
●	13	843281	2	Washer, Spring Lock	

**A** - SLF 1880 (D1105-E4B-TXRN-1)  
**C** - LF510 / Turfcut (D1105-E4B-TXN-3)  
 ● - Used on All Engines

**B** - Truckster / Haulster / Spraytek (D1105-E4B-TXRN-2)

> Change from previous revision

## 19.1 Governor





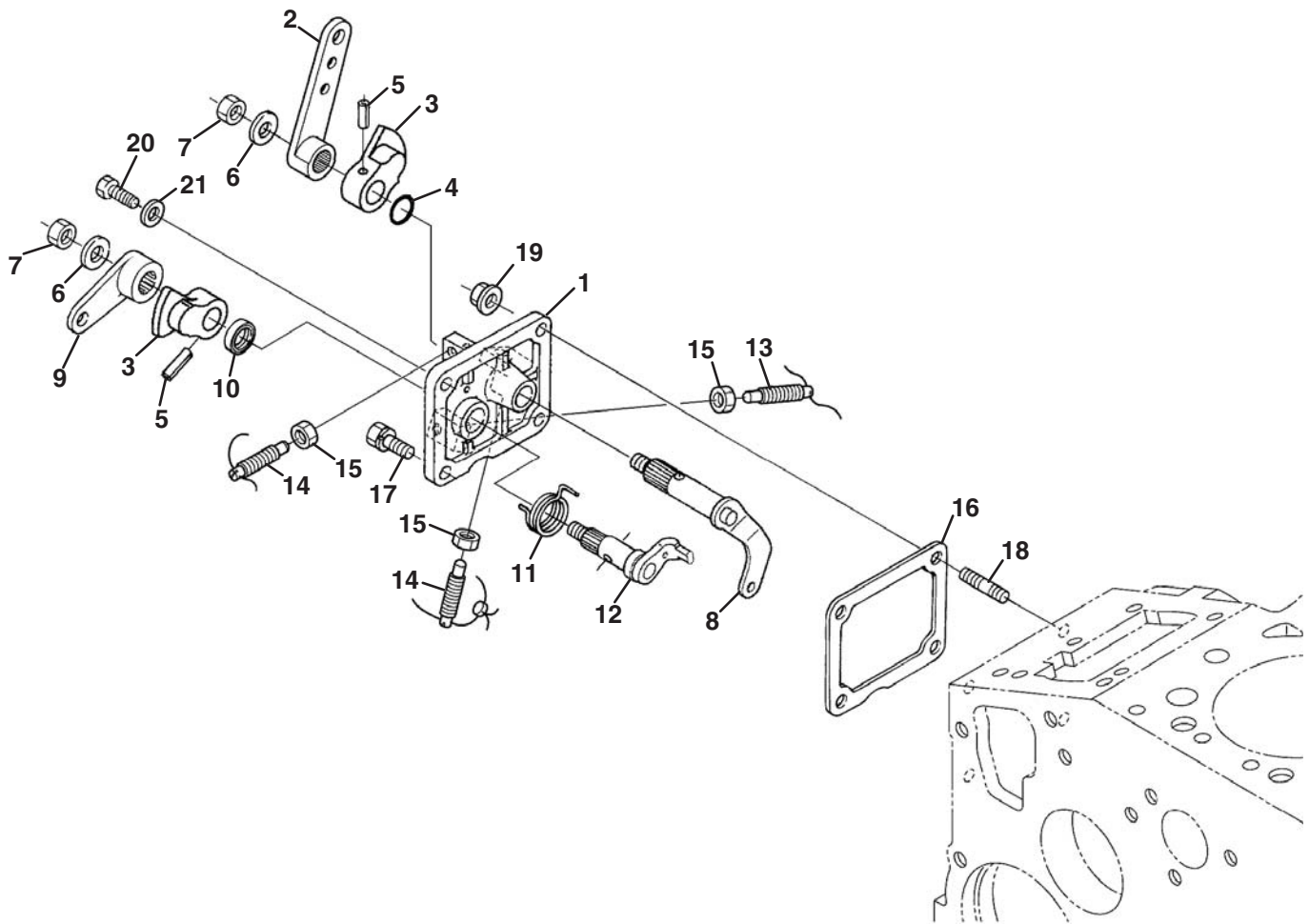
Engine	Item	Part No.	Qty.	Description	Serial Numbers/Notes
<b>AC</b>	1	2500990	1	Spring, Start	
<b>B</b>	1	4183622	1	Spring, Start	
●	2	5001287	1	Spring, Governor	
●	3	4183585	1	Assy Lever, Fork	
●	4	4177278	1	Lever, Fork	
●	5	4177279	1	Shaft, Fork Lever	
●	6	4177280	1	Shaft, Fork Lever	
●	7	2500995	1	Bearing, Miniaturize	
●	8	2500997	1	Cover, Fork Lev. Shaft	
●	9	2500845	1	Gasket	
●	10	550360	2	Bolt, Sems	
●	11	2500998	1	Collar	
●	12	2500999	1	Bearing, Miniaturize	

**A** - SLF 1880 (D1105-E4B-TXRN-1)  
**C** - LF510 / Turfcut (D1105-E4B-TXN-3)  
**●** - Used on All Engines

**B** - Truckster / Haulster / Spraytek (D1105-E4B-TXRN-2)

> Change from previous revision

## 20.1 Speed Control Plate



# KUBOTA D1105-E4B

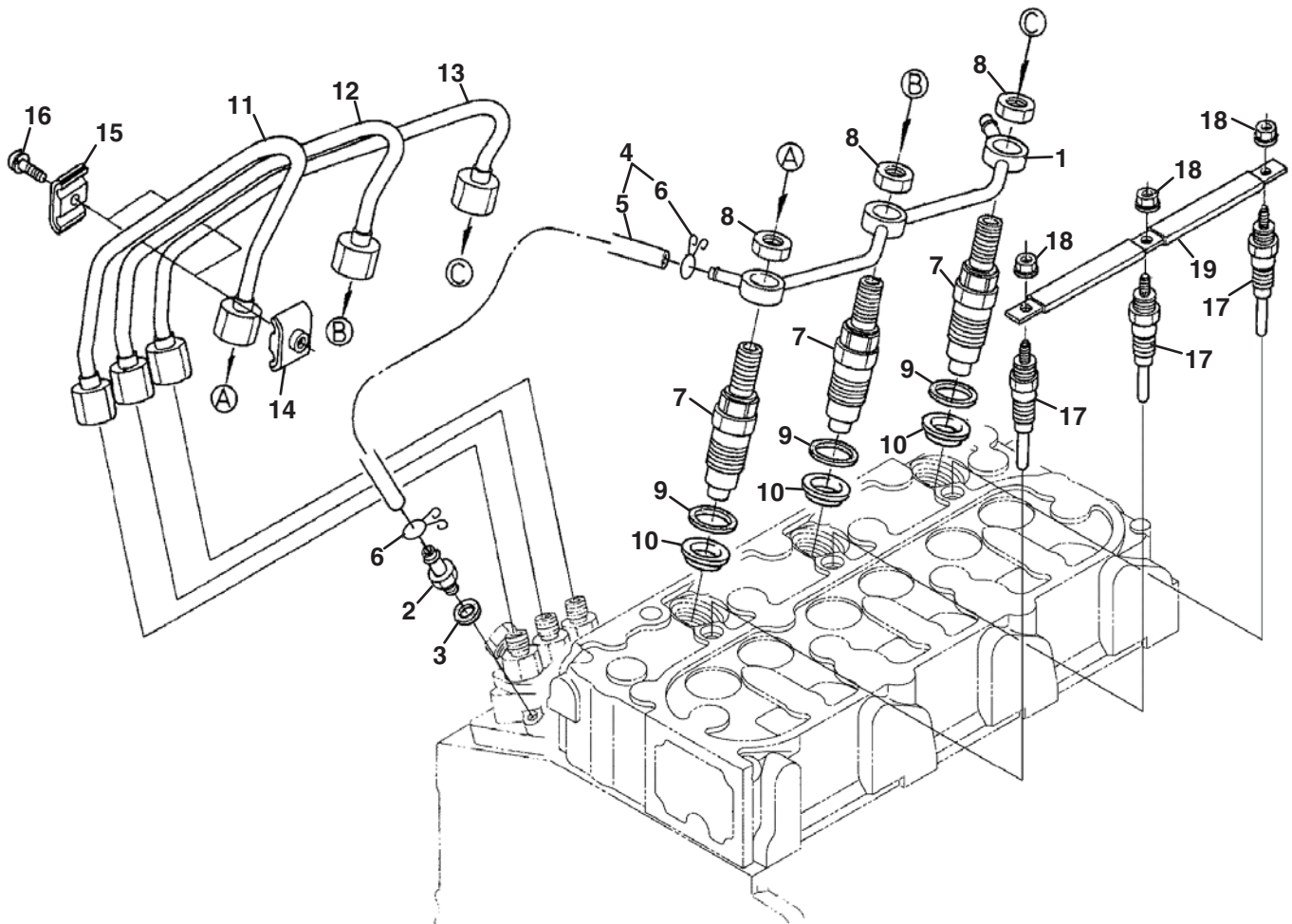
Engine	Item	Part No.	Qty.	Description	Serial Numbers/Notes
●	1	4165630	1	Plate, Assy (Control)	
●	2	2501000	1	Lever, Speed Control	
●	3	2501001	2	Lever, Speed Control	
●	4	2809974	1	O Ring	
●	5	550425	2	Pin, Spring	
●	6	2501002	2	Washer, Plain	
●	7	2501003	2	Nut	
●	8	2501004	1	Comp. Lever, Governor	
●	9	2501005	1	Lever, Engine Stop	
●	10	2501006	1	Seal, Oil	
●	11	2501007	1	Spring, Return	
●	12	2501008	1	Shaft, Stop Lever	
●	13	5001272	1	Gasket	
●	14	550362	1	Bolt, Sems	
●	15	550386	2	Stud	
●	16	2810647	2	Nut, Flange	
●	17	4306392	1	Hex.bolt	
●	18	553143	1	Gasket	
●	19	4306393	1	Bolt(Adjusting)	
●	20	5001249	2	Bolt (Adjusting)	
●	21	550395	3	Hex. Nut	

**A** - SLF 1880 (D1105-E4B-TXRN-1)  
**C** - LF510 / Turfcot (D1105-E4B-TXN-3)  
**●** - Used on All Engines

**B** - Truckster / Haulster / Spraytek (D1105-E4B-TXRN-2)

> Change from previous revision

## 21.1 Nozzle Holder and Glow Plug



# KUBOTA D1105-E4B

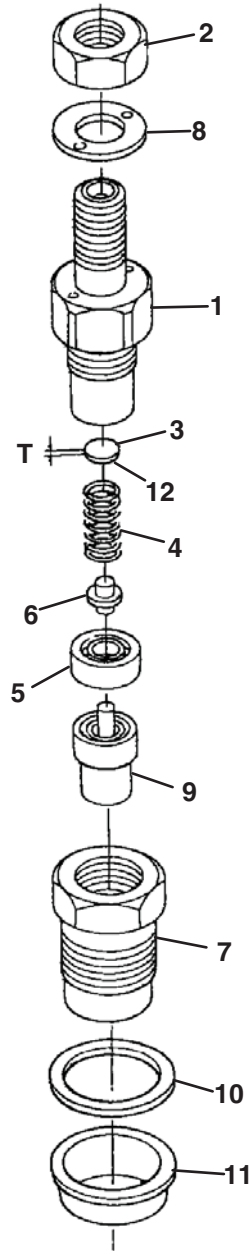
Engine	Item	Part No.	Qty.	Description	Serial Numbers/Notes
●	1	5001265	1	Assy Pipe, Over Flow	
●	2	554037	1	Screw, Air Bleeder	
●	3	553143	1	Gasket	
●	4	554022	1	Assy Pipe, Over Flow	
●	5	4177275	1	• Pipe, Fuel Over Flow	
●	6	553105	2	• Clip Pipe	
●	7	4177276	3	Kit Holder, Nozzle	
●	8	4306394	3	• Nut	
●	9	554051	3	• Gasket	
●	10	557352	3	• Seal, Heat	
●	11	5000901	1	Pipe, Injection	
●	12	5000902	1	Pipe, Injection	
●	13	5000903	1	Pipe, Injection	
●	14	554054	2	Clamp Pipe	
●	15	554055	2	Clamp Pipe	
●	16	550401	2	Screw, Sems Pan Head	
●	17	4306395	3	Plug, Glow	
●	18	5001152	3	• Nut, Flange	
●	19	5001266	1	Cord, Glow Plug	

**A** - SLF 1880 (D1105-E4B-TXRN-1)  
**C** - LF510 / Turfcut (D1105-E4B-TXN-3)  
**●** - Used on All Engines

**B** - Truckster / Haulster / Spraytek (D1105-E4B-TXRN-2)

> Change from previous revision

## 22.1 Nozzle Holder



# KUBOTA D1105-E4B

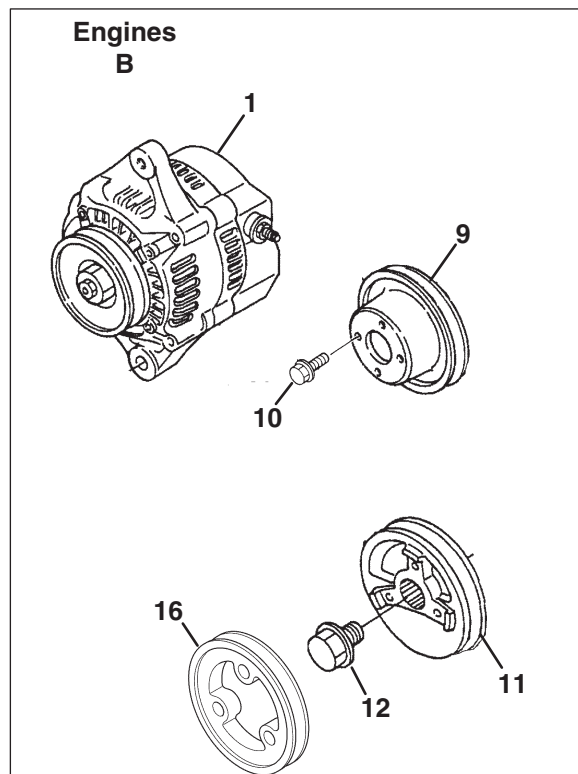
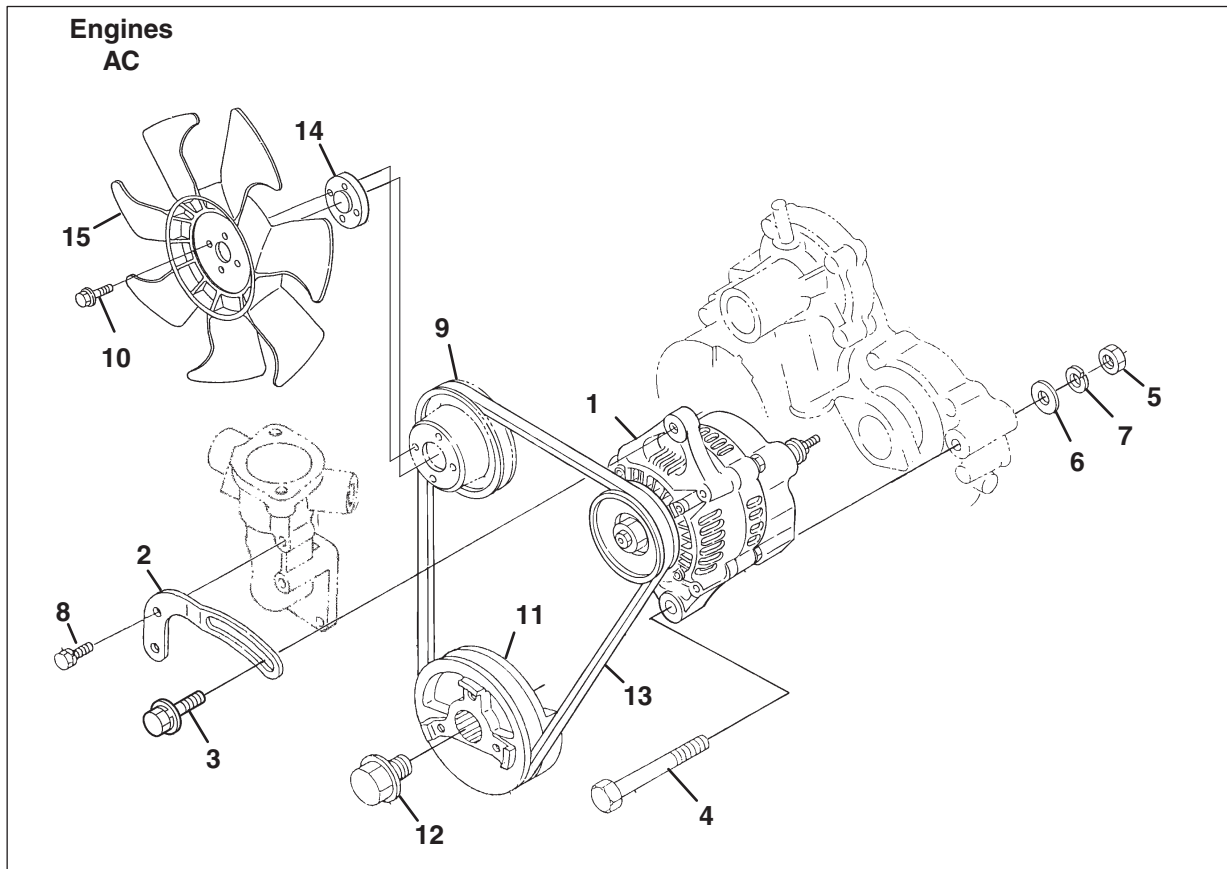
Engine	Item	Part No.	Qty.	Description	Serial Numbers/Notes
●	1	4177276	3	Kit Holder, nozzle	
●	2	4306394	3	• Nut	
●	3	5001220	3	• Washer, Adjusting	
●	4	5001219	3	• Spring, Nozzle	
●	5	5001222	3	• Spacer, Distance	
●	6	5001218	3	• Rod, Push	
●	7	5001221	3	• Nut, Nozzle	
●	8	5001225	3	• Washer, Plain	
●	9	4177277	3	• Piece, Nozzle	
●	10	554051	3	• Gasket	
●	11	557352	3	• Seal, Heat	
●	12	5001226	3	Assy Washer Adjusting	
●		5001227	1	• Washer, Adjusting	0.10 mm
●		5001228	1	• Washer, Adjusting	0.20 mm
●		5001229	1	• Washer, Adjusting	0.30 mm
●		5001230	1	• Washer, Adjusting	0.40 mm
●		5001231	1	• Washer, Adjusting	0.50 mm
●		5001232	1	• Washer, Adjusting	0.52 mm
●		5001233	1	• Washer, Adjusting	0.54 mm
●		5001234	1	• Washer, Adjusting	0.56 mm
●		5001235	1	• Washer, Adjusting	0.58 mm
●		5001236	1	• Washer, Adjusting	0.80 mm

**A** - SLF 1880 (D1105-E4B-TXRN-1)  
**C** - LF510 / Turfcat (D1105-E4B-TXN-3)  
 ● - Used on All Engines

**B** - Truckster / Haulster / Spraytek (D1105-E4B-TXRN-2)

> Change from previous revision

## 23.1 Alternator and Pulleys





# KUBOTA D1105-E4B

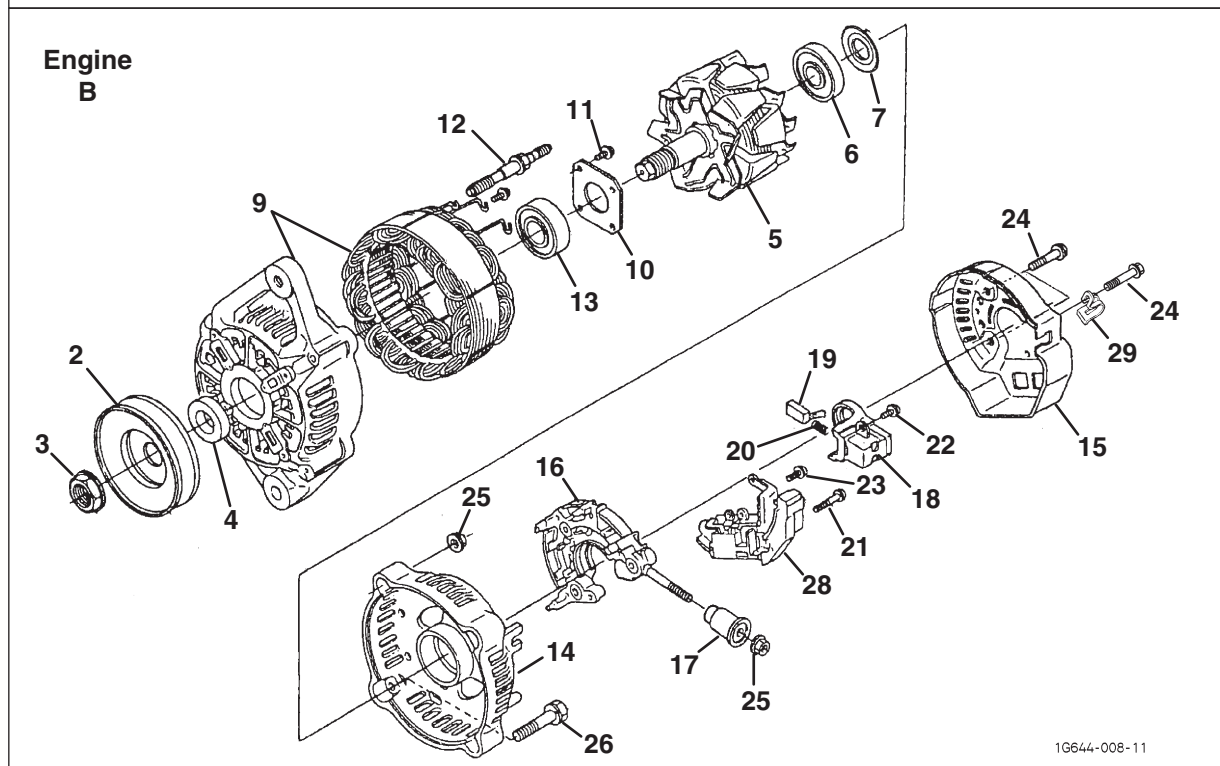
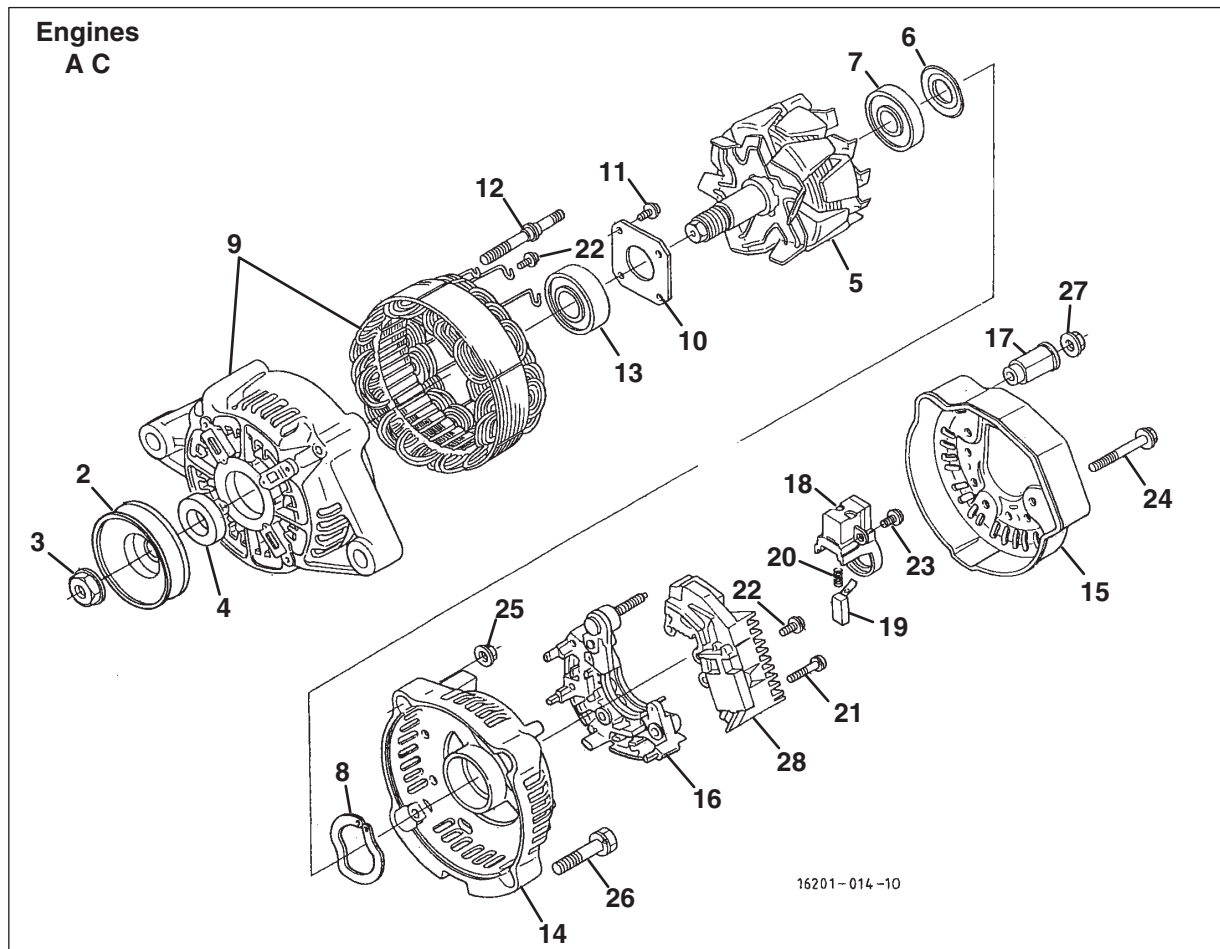
Engine	Item	Part No.	Qty.	Description	Serial Numbers/Notes
AC	1	2810354	1	Assy Alternator	
B	1	4183623	1	Assy Alternator	
AC	2	557941	1	Stay, Dynamo	
AC	3	4134321	1	Bolt	
AC	4	557942	1	Bolt	
AC	5	594348	1	Nut	
AC	6	594350	1	Washer, Plain	
AC	7	5001160	1	Washer, Spring	
AC	8	550362	1	Bolt	
●	9	2501014	1	Pulley, Fan	
●	10	5003269	4	Bolt, Flange	
●	11	5001239	1	Pulley, Fan Drive	
●	12	2501017	1	Bolt, Fan Drive	
AC	13	5001284	1	V Belt	
A	14	5003480	1	Collar, Fan	
A	15	5003478	1	Fan	
C	15	5002776	1	Fan	
B	16	4183624	1	Pulley, Drive	

**A** - SLF 1880 (D1105-E4B-TXRN-1)  
**C** - LF510 / Turfcut (D1105-E4B-TXN-3)  
**●** - Used on All Engines

**B** - Truckster / Haulster / Spraytek (D1105-E4B-TXRN-2)

> Change from previous revision

## 24.1 Alternator



1G644-008-11

# KUBOTA D1105-E4B

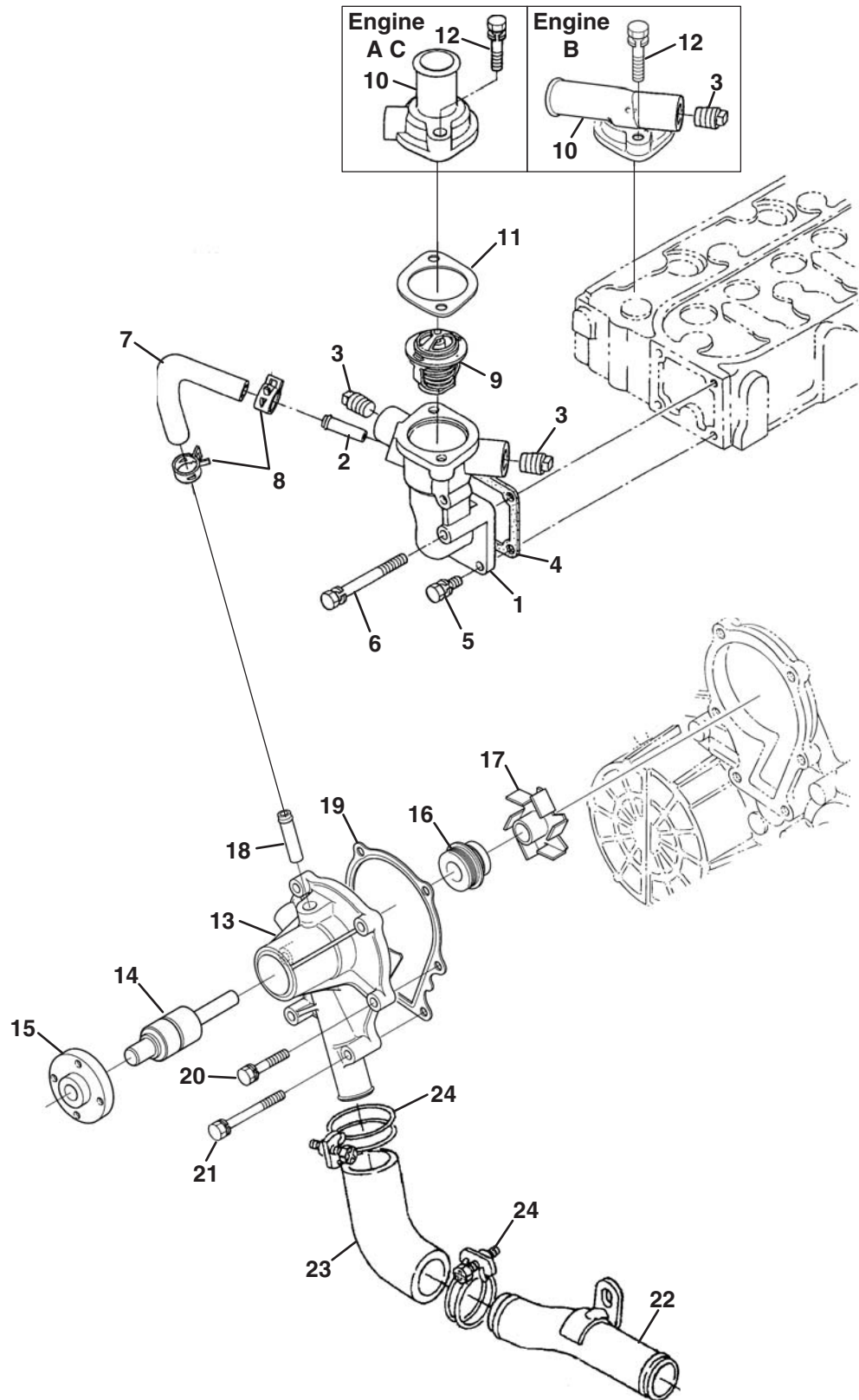
Engine	Item	Part No.	Qty.	Description	Serial Numbers/Notes
AC	1	2810354	1	Assy Alternator	
B	1	4183623	1	Assy Alternator	
●	2	557947	1	• Pulley, Dynamo	
●	3	557948	1	• Nut	
●	4	557949	1	• Collar	
AC	5	4145943	1	• Rotor	
B	5	4183627	1	• Rotor	
●	6	557951	1	• • Cover, Bearing	
●	7	4145838	1	• • Bearing, Ball	
AC	8	557953	1	• Washer, Thrust	
AC	9	4145942	1	• Frame, Drive End	
B	9	4183626	1	• Frame, Drive End	
●	10	5001210	1	• • Plate, Retainer	
●	11	557956	4	• • Screw, Round Head	
●	12	557957	2	• • Bolt, Through	
●	13	4135839	1	• • Bearing, Ball	
AC	14	4145828	1	• Frame, End	
B	14	4183628	1	• Frame, End	
AC	15	4145829	1	• Cover, End	
B	15	4183631	1	• Cover, End	
AC	16	557961	1	• Assy Rectifier	
B	16	4183629	1	• Holder	
●	17	557962	1	• Bush, Insulation	
●	18	4145837	1	• Holder, Brush	
●	19	557964	2	• • Brush	
●	20	557965	2	• • Spring, Brush	
●	21	557966	2	• Screw, Round Head	
●	22	557967	6	• Screw, Round Head	
●	23	557968	1	• Screw, Round Head	
●	24	557969	3	• Bolt	
●	25	557970	2	• Nut	
●	26	557971	2	• Bolt	
AC	27	557972	1	• Nut	
AC	28	2810355	1	• Assy Regulator	
B	28	4183630	1	• Assy Regulator	
B	29	4134341	1	• Clamp, Cord	

**A** - SLF 1880 (D1105-E4B-TXRN-1)  
**C** - LF510 / Turfcut (D1105-E4B-TXN-3)  
**●** - Used on All Engines

**B** - Truckster / Haulster / Spraytek (D1105-E4B-TXRN-2)

> Change from previous revision

## 25.1 Water Flange and Pump

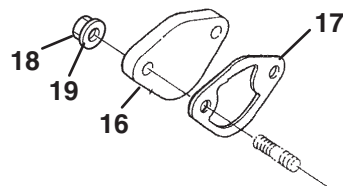
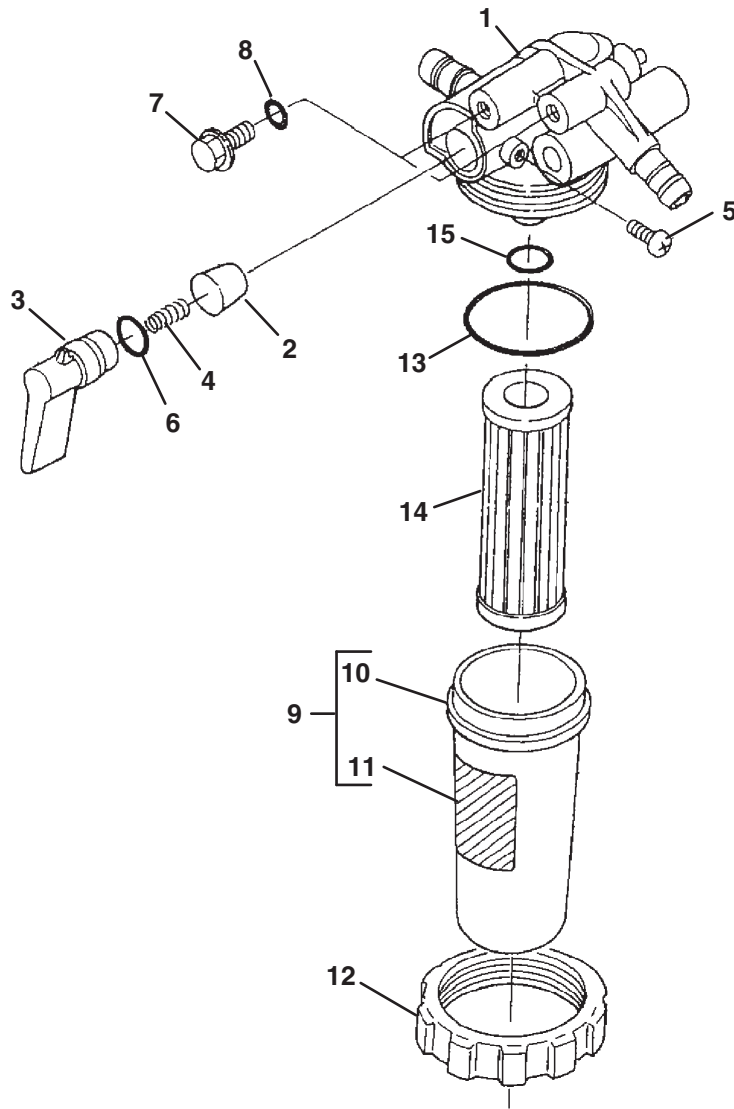


Engine	Item	Part No.	Qty.	Description	Serial Numbers/Notes
●	1	5001297	1	Comp. Flange, Water	
●	2	557975	1	Pipe, Water Return	
AC	3	4134361	2	Plug	
B	3	4134361	3	Plug	
●	4	5001273	1	Gasket, Water Flange	
●	5	550362	3	Bolt, Sems	
AC	6	2500899	1	Bolt, Sems	
B	6	553842	1	Bolt, Sems	
●	7	5001254	1	Pipe, Water Return	
●	8	4306396	2	Clamp, Hose	
●	9	556412	1	Assy Thermostat	
AC	10	5003479	1	Cover, Thermostat	
B	10	4183632	1	Cover, Thermostat	
●	11	4134370	1	Gasket, Thermostat	
●	12	594334	2	Bolt, Sems	
B	13	4165525	1	Pump, Water,assy	
●	14	N/S	1	• Shaft, Pump	
●	15	557866	1	• Flange, Water Pump	
●	16	4155662	1	• Seal, Mechanical, Assy	
●	17	557865	1	• Impeller, Water Pump	
●	18	557571	1	• Pipe, Water Return	
●	19	557867	1	Gasket, Water Pump	
●	20	2500917	4	Bolt, Sems	
●	21	4183633	2	Bolt, Sems	
●	22	557980	1	Pipe, Water	
●	23	4165647	1	Pipe, Water	
●	24	4306397	2	Clamp, Hose	

**A** - SLF 1880 (D1105-E4B-TXRN-1)  
**C** - LF510 / Turfcot (D1105-E4B-TXN-3)  
**●** - Used on All Engines

**B** - Truckster / Haulster / Spraytek (D1105-E4B-TXRN-2)

> Change from previous revision



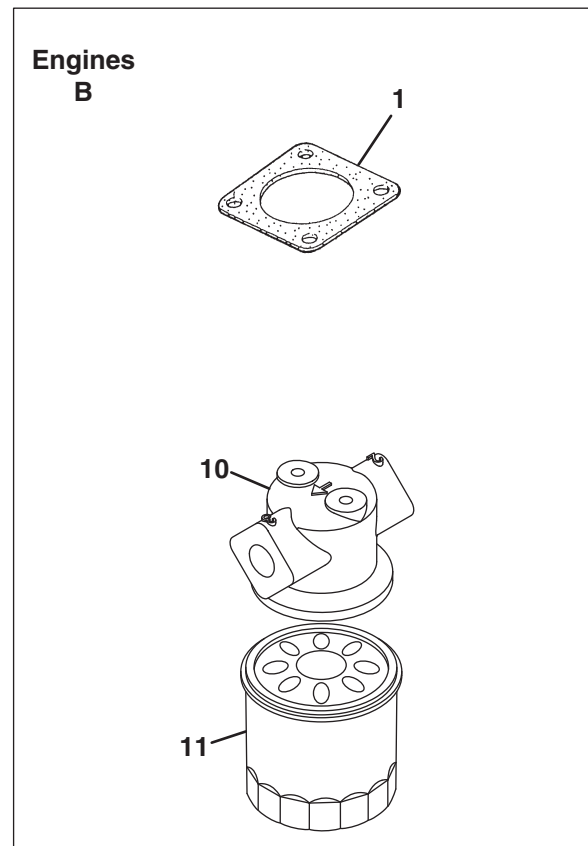
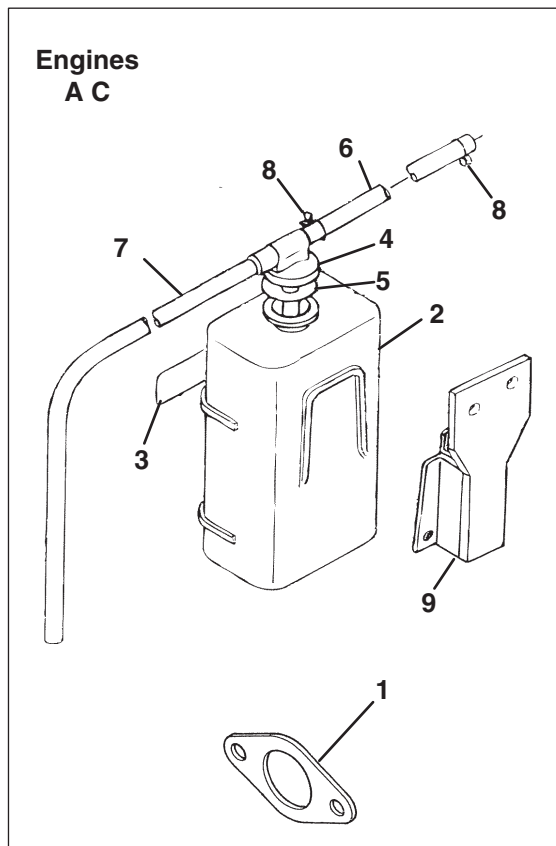
Engine	Item	Part No.	Qty.	Description	Serial Numbers/Notes
●	1	5001947	1	Assy Filter, Fuel	
●	2	NS	1	• Stopper	
●	3	550396	1	• Lever, Cock	
●	4	550464	1	• Spring, Valve	
●	5	4145702	1	• Screw, Set	
●	6	4145703	1	• O Ring, Lever	
●	7	4145892	2	• Screw, Air Bleeder	
●	8	4145666	2	• O Ring	
●	9	5001309	1	• Assy Cup, Filter	
●	10	4183588	1	• • Cup, Filter	
●	11	5001301	1	• • Label, Fuel	
●	12	4183589	1	• Ring, Retaining	
●	13	550463	1	• O Ring, Filter Cup	
●	14	550489	1	• Assy Element	
●	15	2810640	1	• O Ring, Filter	
●	16	2500962	1	Cover	
●	17	5001922	1	Gasket, Fuel Pump	
●	18	550395	2	Nut	
●	19	5001160	2	Washer, Spring	

**A** - SLF 1880 (D1105-E4B-TXRN-1)  
**C** - LF510 / Turfcut (D1105-E4B-TXN-3)  
 ● - Used on All Engines

**B** - Truckster / Haulster / Spraytek (D1105-E4B-TXRN-2)

> Change from previous revision

## 27.1 Miscellaneous





Engine	Item	Part No.	Qty.	Description	Serial Numbers/Notes
<b>B</b>	1	553020	1	Gasket, Muffler Na	
<b>AC</b>	1	5003476	1	Gasket, Muffler Na	
<b>AC</b>	2	553926	1	Assy Tank, Reserve	
<b>AC</b>		5001207	1	• Body, Tank	
<b>AC</b>	3	4145735	1	• Label, Caution	
<b>AC</b>	4	2500814	1	• Cap	
<b>AC</b>	5	2500815	1	• Gasket	
<b>AC</b>	6	553913	1	• Pipe, Water Over Flow	
<b>AC</b>	7	553929	1	• Pipe, Water Over Flow	
<b>AC</b>	8	553914	2	• Clip, Pipe	
<b>AC</b>	9	554231	1	Comp Support, Tank	
<b>B</b>	10	4183634	1	Base. Filter	
<b>B</b>	11	4113986	1	Filter, Oil	

**A** - SLF 1880 (D1105-E4B-TXRN-1)  
**C** - LF510 / Turfcut (D1105-E4B-TXN-3)  
**●** - Used on All Engines

**B** - Truckster / Haulster / Spraytek (D1105-E4B-TXRN-2)

> Change from previous revision

# INDEX

2500809.....	55	2500932.....	15	2809964.....	27	4165623.....	35
2500811.....	5, 9	2500933.....	15	2809965.....	27	4165624.....	35
2500812.....	27	2500935.....	15	2809966.....	27	4165630.....	43
2500813.....	27	2500936.....	15	2809967.....	27	4165647.....	53
2500814.....	57	2500937.....	15	2809969.....	25	4165648.....	17
2500815.....	57	2500940.....	33	2809970.....	25	4165655.....	19
2500822.....	9	2500941.....	33	2809974.....	43	4165656.....	19
2500824.....	5	2500942.....	33	2809978.....	15	4177223.....	25
2500825.....	5, 25	2500943.....	33	2810354.....	49, 51	4177224.....	25
2500827.....	15	2500944.....	33	2810355.....	51	4177260.....	9
2500828.....	15	2500945.....	33	2810640.....	55	4177262.....	21
2500831.....	27	2500946.....	33	2810647.....	21, 23, 43	4177263.....	25
2500832.....	27	2500947.....	33	2810751.....	31	4177265.....	33
2500837.....	25	2500949.....	27, 33	2810877.....	11	4177268.....	29
2500838.....	25	2500950.....	27	2811021.....	37	4177275.....	45
2500839.....	25	2500953.....	33	2811976.....	17	4177276.....	45
2500840.....	25	2500955.....	27	2812014.....	11	4177278.....	41
2500845.....	5, 41	2500958.....	29	4111661.....	11	4177279.....	41
2500854.....	5, 17	2500959.....	29	4111662.....	11	4177280.....	41
2500856.....	5, 19	2500960.....	29	4113986.....	57	4183581.....	5, 13
2500859.....	9	2500961.....	39	4134199.....	19	4183583.....	39
2500868.....	27	2500962.....	55	4134204.....	19	4183584.....	39
2500869.....	27	2500967.....	35	4134321.....	49	4183585.....	41
2500874.....	7	2500969.....	35	4134341.....	51	4183588.....	55
2500875.....	7	2500972.....	35	4134361.....	53	4183589.....	55
2500877.....	7	2500973.....	35	4134370.....	5, 53	4183592.....	15
2500878.....	7	2500975.....	35	4135839.....	51	4183605.....	9
2500879.....	7	2500976.....	35	4138090.....	37	4183611.....	23
2500880.....	7	2500979.....	35	4138091.....	37	4183612.....	23
2500881.....	7	2500980.....	35	4145666.....	55	4183613.....	23
2500882.....	7	2500987.....	37	4145702.....	55	4183614.....	23
2500883.....	7	2500990.....	41	4145703.....	55	4183622.....	41
2500886.....	13	2500995.....	41	4145735.....	57	4183623.....	49, 51
2500887.....	13	2500997.....	41	4145828.....	51	4183624.....	49
2500888.....	13	2500998.....	41	4145829.....	51	4183626.....	51
2500889.....	13	2500999.....	41	4145830.....	13	4183627.....	51
2500892.....	21	2501000.....	43	4145831.....	13	4183628.....	51
2500894.....	37	2501001.....	43	4145832.....	31	4183629.....	51
2500899.....	21, 23, 53	2501002.....	43	4145837.....	51	4183630.....	51
2500900.....	21, 23	2501003.....	43	4145838.....	51	4183631.....	51
2500901.....	21, 23	2501004.....	43	4145892.....	55	4183632.....	53
2500902.....	5, 21, 23	2501005.....	43	4145906.....	37	4183633.....	53
2500905.....	25	2501006.....	43	4145910.....	7	4183634.....	57
2500908.....	25	2501007.....	43	4145911.....	19	4183636.....	5
2500911.....	17	2501008.....	43	4145912.....	19	4183637.....	5
2500915.....	15	2501014.....	49	4145942.....	51	4206382.....	39
2500917.....	17, 53	2501017.....	49	4145943.....	51	4206384.....	27
2500918.....	17	2501023.....	55	4145944.....	19, 21	4289798.....	13
2500919.....	17	2501024.....	55	4155662.....	53	4289854.....	7
2500920.....	15	2501025.....	55	4165421.....	19	4289891.....	9
2500922.....	15	2501026.....	55	4165422.....	29	4306369.....	7
2500923.....	5, 15	2809954.....	23	4165442.....	37	4306370.....	13
2500924.....	15	2809955.....	5	4165525.....	53	4306371.....	21
2500926.....	15	2809961.....	27	4165526.....	19	4306372.....	23
2500928.....	15	2809962.....	27	4165620.....	15	4306373.....	21, 23
2500930.....	15	2809963.....	27	4165622.....	35	4306374.....	21, 23

# INDEX

4306375.....	21, 23	5001266.....	45	550839.....	5, 19	557897.....	31
4306376.....	21, 23	5001269.....	5, 21, 23	552950.....	7, 23	557898.....	31
4306377.....	21, 23	5001270.....	5, 25	552958.....	7	557899.....	31
4306378.....	19, 21	5001272.....	5, 43	552977.....	7	557900.....	31
4306379.....	25	5001273.....	5, 53	552978.....	7, 13	557902.....	31
4306380.....	25	5001275.....	37	553020.....	5, 57	557903.....	31
4306381.....	25	5001276.....	21, 23	553093.....	27	557904.....	31
4306382.....	33	5001278.....	27	553094.....	27	557905.....	31
4306383.....	27	5001279.....	35	553105.....	45	557906.....	31
4306384.....	27	5001284.....	49	553143.....	5, 37, 43, 45	557907.....	31
4306385.....	27	5001285.....	37	553481.....	21, 23	557908.....	31
4306386.....	27	5001287.....	41	553842.....	17, 21, 23, 53	557909.....	31
4306387.....	27	5001292.....	31	553855.....	9	557910.....	31
4306388.....	27	5001297.....	53	553857.....	7	557911.....	31
4306389.....	35	5001301.....	55	553860.....	33	557912.....	31
4306390.....	35	5001302.....	29	553911.....	7	557913.....	31
4306391.....	37	5001303.....	9	553913.....	57	557934.....	37
4306392.....	43	5001306.....	17	553914.....	57	557941.....	49
4306393.....	43	5001308.....	7	553926.....	57	557942.....	49
4306394.....	45	5001309.....	55	553929.....	57	557947.....	51
4306395.....	45	5001314.....	35	554018.....	7	557948.....	51
4306396.....	53	5001922.....	5, 55	554022.....	45	557949.....	51
4306397.....	53	5001947.....	55	554036.....	39	557951.....	51
4306398.....	27	5001948.....	55	554037.....	45	557953.....	51
4306399.....	27	5002002.....	29	554051.....	5, 45	557956.....	51
4306400.....	25, 27	5002018.....	37	554054.....	45	557957.....	51
4306401.....	25, 27	5002033.....	11	554055.....	45	557960.....	21
4306402.....	25, 27	5002742.....	27	554097.....	21	557961.....	51
5000886.....	39	5002751.....	23	554099.....	39	557962.....	51
5000894.....	39	5002776.....	49	554104.....	39	557964.....	51
5000897.....	35	5002955.....	11	554108.....	15	557965.....	51
5000901.....	45	5003269.....	15, 49	554116.....	39	557966.....	51
5000902.....	45	5003301.....	31	554117.....	39	557967.....	51
5000903.....	45	5003470.....	29	554202.....	39	557968.....	51
5001118.....	39	5003472.....	29	554231.....	57	557969.....	51
5001138.....	11	5003473.....	29	555567.....	27	557970.....	51
5001147.....	35	5003475.....	17	555571.....	29	557971.....	51
5001152.....	45	5003476.....	5, 57	556412.....	53	557972.....	51
5001160.....	49, 55	5003478.....	49	557352.....	5, 45	557975.....	53
5001182.....	55	5003479.....	53	557357.....	55	557980.....	53
5001189.....	55	5003480.....	49	557358.....	55	594334.....	53
5001207.....	57	550360.....	41	557571.....	53	594348.....	49
5001210.....	51	550361.....	9	557584.....	39	594350.....	49
5001215.....	39	550362.....	33, 35, 43, 49, 53	557859.....	21	594351.....	21
5001217.....	39	550386.....	21, 23, 43	557861.....	21	843281.....	39
5001239.....	49	550395.....	29, 43, 55	557865.....	53		
5001241.....	25	550396.....	55	557866.....	53		
5001244.....	31	550401.....	45	557867.....	5, 53		
5001246.....	35	550424.....	7	557888.....	29, 31		
5001247.....	35	550425.....	43	557890.....	31		
5001249.....	43	550463.....	55	557891.....	31		
5001254.....	53	550464.....	55	557892.....	31		
5001255.....	21, 23	550489.....	55	557893.....	31		
5001257.....	37	550543.....	7	557894.....	31		
5001262.....	5, 17	550673.....	13	557895.....	31		
5001265.....	45	550838.....	19	557896.....	31		

## **World Class Quality, Performance And Support**

**Equipment from Jacobsen is built to exacting standards ensured by ISO 9001 and ISO 14001 registration at all of our manufacturing locations.**

**A worldwide dealer network and factory trained technicians backed by Genuine Jacobsen Parts provide reliable, high-quality product support.**



*When Performance Matters.™*

---

***CUSHMAN JACOBSEN RANSOMES***