



JACOBSEN®

A Textron Company

3004386



Engine Parts Manual

Kubota Diesel Engine

D662-EB

Jacobsen Greens King IV Plus
Jacobsen Greens King V
Jacobsen Greens King VI
Jacobsen Tri-King 1900 Series
Ransomes T-Plex 190D
Jacobsen Sand Scorpion
Ransomes Motor 180

D722-EB

Ransomes T-Plex 185
Ransomes G-Plex II D



WARNING

If incorrectly used, this machine can cause severe injury. Those who use and maintain this machine should be trained in its proper use, warned of its dangers and should read the entire manual before attempting to set up, operate, adjust, or service the machine.



JACOBSEN®

A Textron Company

When Performance Matters.™

To Order Parts

1. Write your **full** name and **complete** address on the order.
2. Explain where and how to make shipment.
3. Give product number, name and serial number that is stamped on the name plate or serial plate located on the left rear frame of your product.
4. Order by the quantity desired, the part number, and description of the part as given in the parts list.
5. Send or bring the order to an authorized Textron Turf Care And Specialty Products Dealer.
6. Inspect all shipments on receipt. If any parts are damaged or missing, file a claim with the carrier before accepting.
7. Do not return material without a letter of explanation, listing the parts being returned. Transportation charges must be prepaid.

Use of other than Textron Turf Care And Specialty Products authorized parts and accessories will void the warranty.

Table of Contents

| | | |
|------|-------------------------------|----|
| 1.1 | Miscellaneous | 3 |
| 2.1 | Crankcase | 4 |
| 3.1 | Oil Pan | 6 |
| 4.1 | Cylinder Head | 7 |
| 5.1 | Gear Case | 8 |
| 6.1 | Main Bearing | 10 |
| 7.1 | Illustration Description | 11 |
| 8.1 | Crankshaft | 12 |
| 9.1 | Camshaft | 14 |
| 10.1 | Fuel Camshaft | 15 |
| 11.1 | Fuel Pump | 16 |
| 12.1 | Injection Pump | 17 |
| 13.1 | Injection Pump (Disassembled) | 18 |
| 14.1 | Fuel Delivery | 20 |
| 15.1 | Nozzle Holder | 22 |
| 16.1 | Idle Adjustment | 23 |
| 17.1 | Governor | 24 |
| 18.1 | Accelerator | 25 |
| 19.1 | Rocker Arm | 26 |
| 20.1 | Intake and Exhaust Manifolds | 28 |
| 21.1 | Fan Belt | 30 |
| 22.1 | Alternator | 32 |
| 23.1 | Dynamo | 34 |
| 24.1 | Flywheel and Starter Mounting | 35 |
| 25.1 | Starter | 36 |
| 26.1 | Starter | 38 |
| 27.1 | Radiator | 40 |
| 28.1 | Radiator | 41 |
| 29.1 | Water Pump and Thermostat | 42 |
| 30.1 | Fuel Filter | 44 |
| 31.1 | Overflow Tank | 45 |
| 32.1 | Muffler | 46 |
| 33.1 | Air Cleaner Assembly | 47 |

Proposition 65 Warning

Diesel engine exhaust and some of its constituents are known to the State of California to cause cancer, birth defects, and other reproductive harm

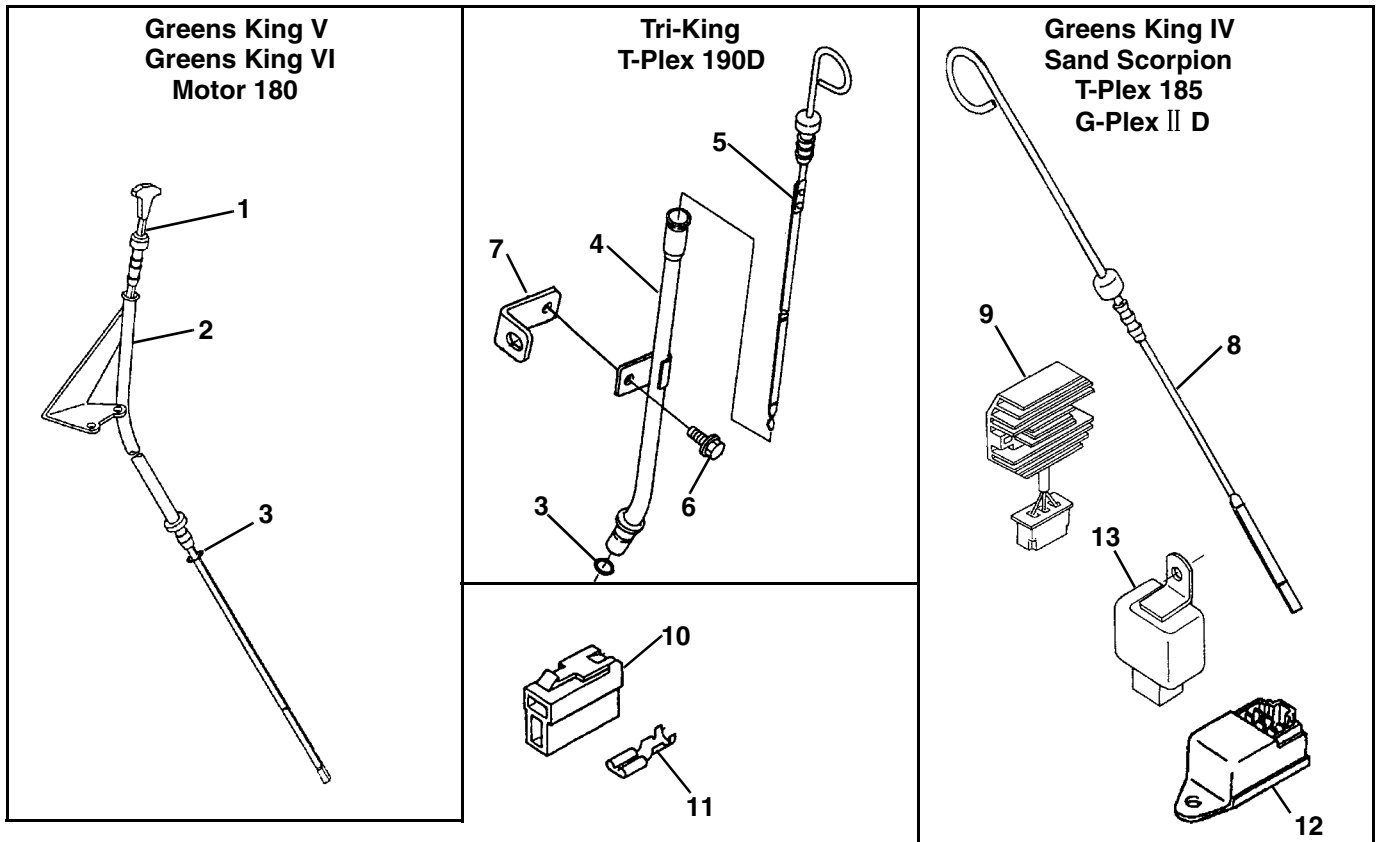
© COPYRIGHT 1995, TEXTRON INC.

"All rights reserved, including the right to reproduce this book or portions thereof in any form".

All information in this publication is based on information available at time of approval for printing. Textron Turf Care and Specialty Products reserves the right to make changes at any time without notice and without incurring any obligation.

LITHO IN U.S.A. 11-2008

1.1 Miscellaneous



| Used On | Item | Part No. | Qty. | Description | Serial Numbers/Notes |
|---------|------|----------|------|-------------------|----------------------|
| B | 1 | 5002031 | 1 | Gauge, Oil | See 21.1 |
| B | 2 | 5002032 | 1 | Guide Assembly | |
| B,C | 3 | 5002033 | 1 | "O" Ring | |
| C | 4 | 5002043 | 1 | Tube, Guide | |
| C | 5 | 5002042 | 1 | Gauge, Oil | |
| C | 6 | 2501015 | 1 | Bolt | |
| C | 7 | REF | 1 | Bracket, Dipstick | |
| A,D | 8 | 2810637 | 1 | Gauge, Oil | |
| E | 8 | 2811963 | 1 | Gauge, Oil | |
| A | 9 | 2810649 | 1 | Regulator | |
| A,C,D | | 557981 | 1 | Assembly, Coupler | |
| E | | 2810951 | 1 | Assembly, Coupler | |
| A,C,D | 10 | 5003298 | 1 | • Connector | |
| E | 10 | 4145698 | 1 | • Connector | |
| A,C,D | 11 | 5003299 | 1 | • Terminal | |
| E | 11 | 4145699 | 1 | • Terminal | |
| E | 12 | 2810789 | 1 | Timer, Glow Plug | |
| E | 13 | 2810982 | 1 | Timer, Key Stop | |

> Change from previous revision

Engine Used On Codes A - Greens King IV Plus
E - G-Plex III

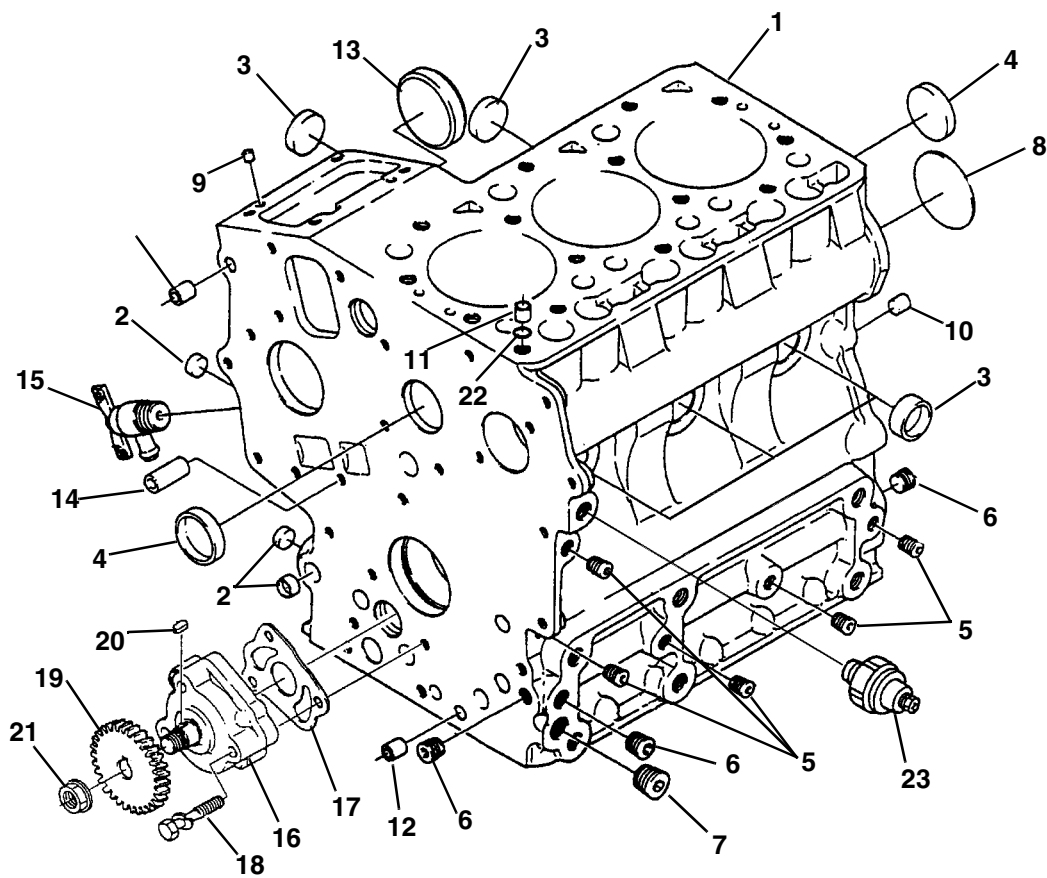
B - Greens King VI

C - Tri King 1900

D - GroomMaster II

● - Used on all Engines

2.1 Crankcase

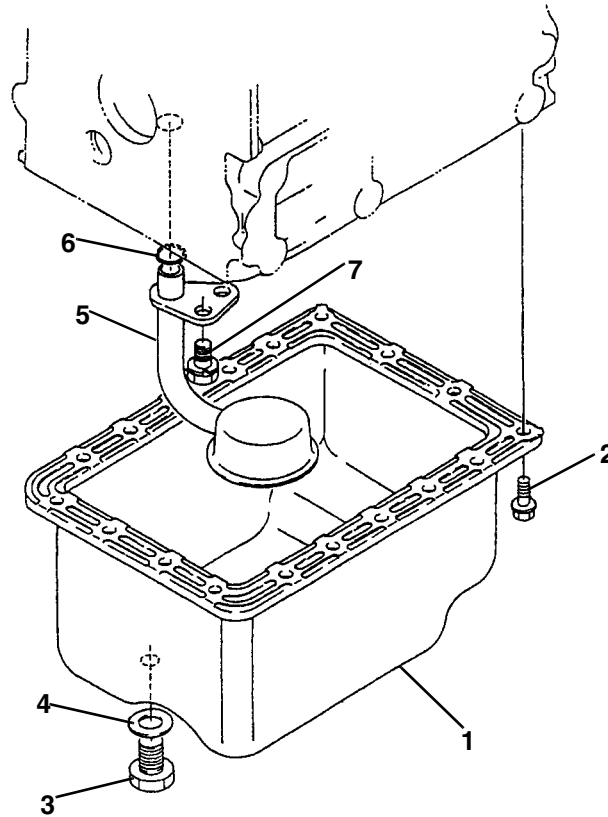


| Used On | Item | Part No. | Qty. | Description | Serial Numbers/Notes |
|---------|------|----------|------|------------------------|----------------------|
| B | 1 | 5001859 | 1 | Crankcase | |
| A,D | 1 | 5002046 | 1 | Crankcase | |
| C | 1 | 2810936 | 1 | Crankcase | |
| E | 1 | 2811873 | 1 | Crankcase | |
| A,B,D,E | 2 | 5001860 | 3 | • Plug | |
| C | 2 | 2810931 | 3 | • Plug | |
| ● | 3 | 5001861 | 5 | • Plug | |
| ● | 4 | 553911 | 2 | • Plug | |
| ● | 5 | 552978 | 5 | • Plug | |
| ● | 6 | 552950 | 3 | • Plug | |
| ● | 7 | 552951 | 1 | • Plug | |
| A,B,D,E | 8 | 557525 | 1 | • Plug | |
| C | 8 | 4145733 | 1 | • Plug | |
| A,B,D,E | 9 | 553857 | 2 | • Pin, Straight | |
| C | 9 | 4145687 | 2 | • Pin, Straight | |
| A,B,D,E | 10 | 550424 | 2 | • Pin, Straight | |
| C | 10 | 4145688 | 2 | • Pin, Straight | |
| ● | 11 | 552954 | 1 | • Pin, Pipe | |
| A,B,D,E | 12 | 550543 | 2 | • Pin, Pipe | |
| C | 12 | 4145706 | 2 | • Pin Pipe | |
| ● | 13 | 5001863 | 1 | • Cover, Fuel Camshaft | |
| ● | 14 | 554220 | 2 | • Pin, Pipe | |
| ● | 15 | 554084 | 1 | Case Drain Assembly | |
| ● | 16 | 554012 | 1 | Oil Pump Assembly | |
| ● | 17 | 5001864 | 1 | Gasket, Oil Pump | |
| ● | 18 | 554098 | 3 | Bolt | |
| ● | 19 | 554014 | 1 | Gear, Oil Pump Drive | |
| ● | 20 | 594372 | 1 | Key, Feather | |
| ● | 21 | 5001865 | 1 | Nut | |
| A,B,D,E | 22 | 552959 | 1 | "O" Ring | |
| C | 22 | 834353 | 1 | "O" Ring | |
| A,B,D | 23 | 554018 | 1 | Switch, Oil | |
| C,E | 23 | 834422 | 1 | Switch, Oil | |

> Change from previous revision

Engine Used On Codes A - Greens King IV Plus B - Greens King V and VI C - Tri King 1900 D - GroomMaster II
 E - G-Plex III ● - Used on all Engines

3.1 Oil Pan

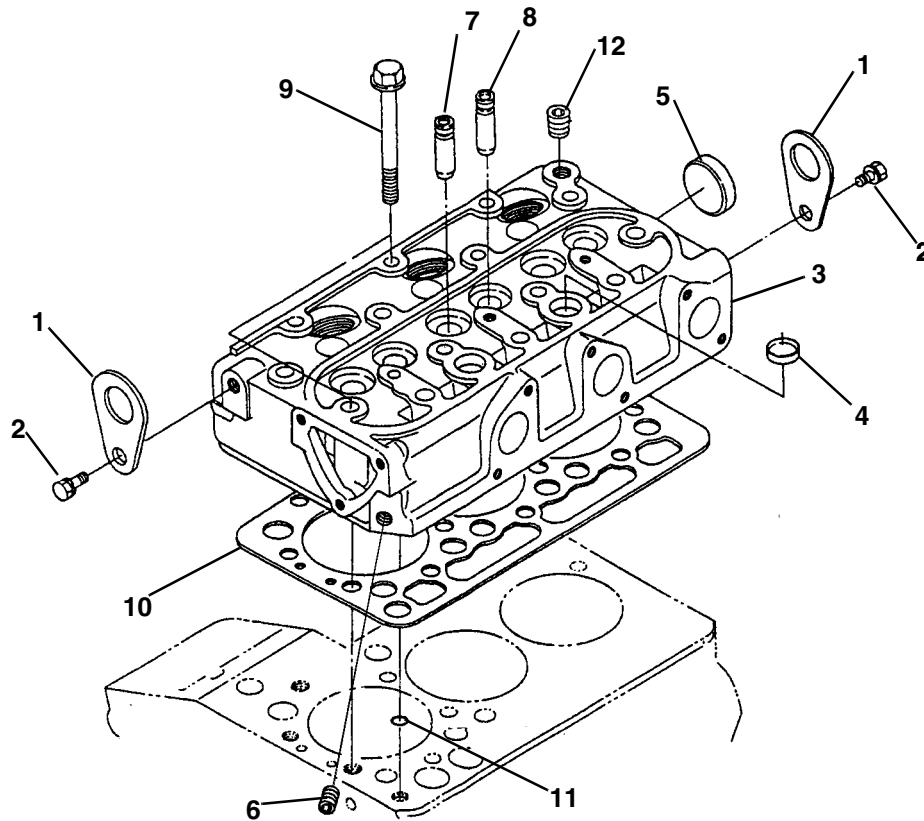


| Used On | Item | Part No. | Qty. | Description | Serial Numbers/Notes |
|---------|------|----------|------|-------------|----------------------|
| A~D | 1 | 554209 | 1 | Oil Pan | |
| E | 1 | 5001866 | 1 | Oil Pan | |
| ● | 2 | 550360 | 18 | Bolt | |
| A~D | 3 | 4145835 | 1 | Plug | |
| E | 3 | 4134176 | 1 | Plug | |
| A,D | 4 | 2809951 | 1 | Gasket | |
| B,C | 4 | 2500811 | 1 | Gasket | |
| E | 4 | 555408 | 1 | Gasket | |
| ● | 5 | 5001868 | 1 | Filter, Oil | |
| A~D | 6 | 553260 | 1 | "O" Ring | |
| E | 6 | 4145653 | 1 | "O" Ring | |
| A,D | 7 | 594330 | 1 | Bolt | |
| B,C,E | 7 | 5001138 | 1 | Bolt | |

> Change from previous revision

Engine Used On Codes A - Greens King IV Plus B - Greens King V and VI C - Tri King 1900 D - GroomMaster II
 E - G-Plex III ● - Used on all Engines

4.1 Cylinder Head



| Used On | Item | Part No. | Qty. | Description | Serial Numbers/Notes |
|---------|------|----------|------|------------------------|----------------------|
| ● | 1 | 553934 | 2 | Hook, Engine | |
| ● | 2 | 550376 | 2 | Bolt | |
| A~D | 3 | 4145914 | 1 | Cylinder Head Assembly | |
| E | 3 | 4145915 | 1 | Cylinder Head Assembly | |
| ● | 4 | 2500888 | 2 | • Cap, Sealing | |
| ● | 5 | 550673 | 1 | • Plug | |
| ● | 6 | 552978 | 1 | • Plug | |
| ● | 7 | 553953 | 3 | • Guide, Inlet Valve | |
| ● | 8 | 553954 | 3 | • Guide, Exhaust Valve | |
| ● | 9 | 553867 | 14 | Bolt, Head | |
| A~D | 10 | 5001870 | 1 | Gasket, Head | |
| E | 10 | 5002017 | 1 | Gasket, Head | |
| A,B,D,E | 11 | 552959 | 1 | "O" Ring | |
| C | 11 | 552976 | 1 | "O" Ring | |
| ● | 12 | 554115 | 1 | Plug | |

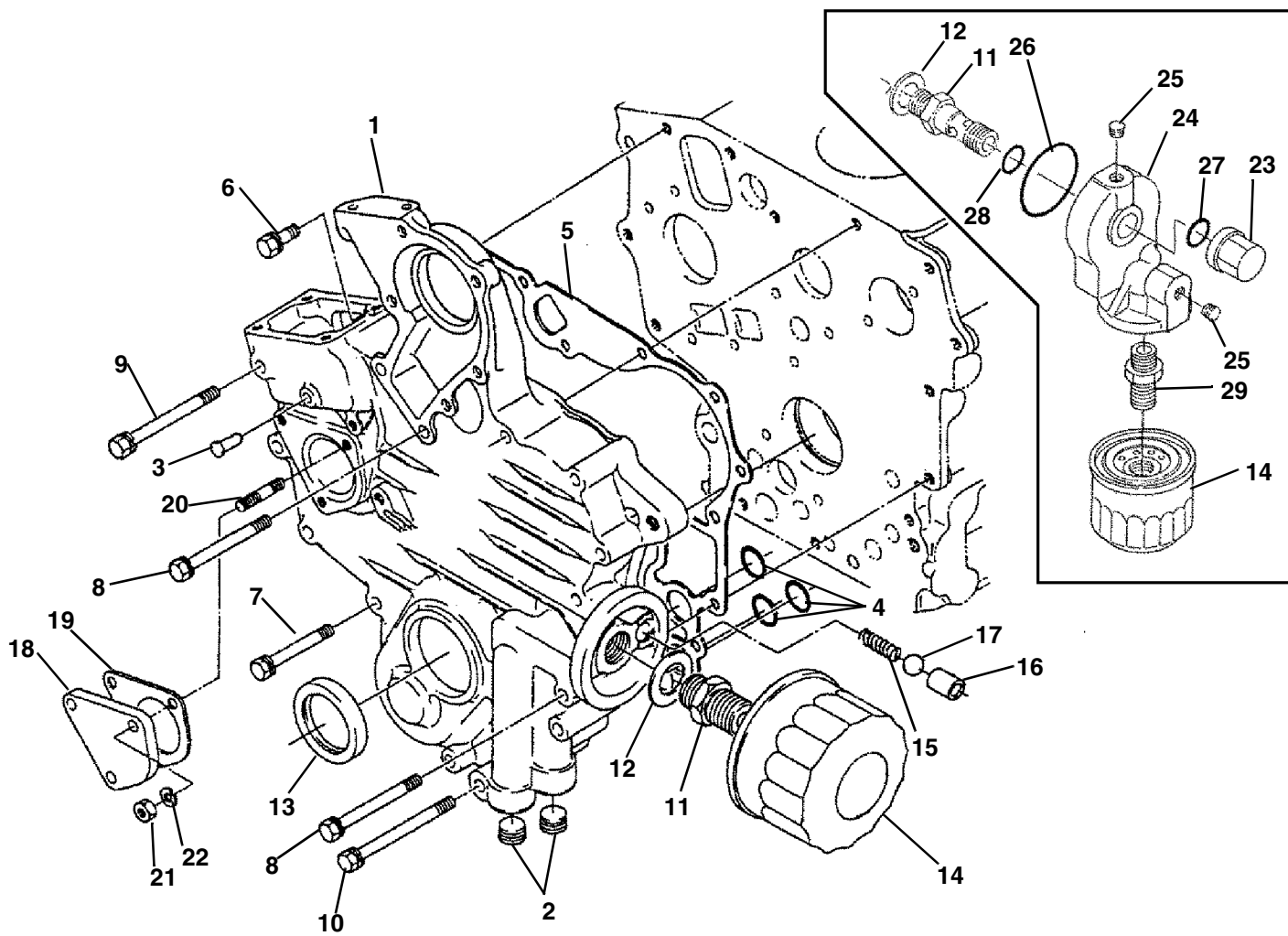
> Change from previous revision

Engine Used On Codes A - Greens King IV Plus B - Greens King V and VI C - Tri King 1900 D - GroomMaster II
 E - G-Plex III ● - Used on all Engines

KUBOTA D662-EB

Serial No. All

5.1 Gear Case

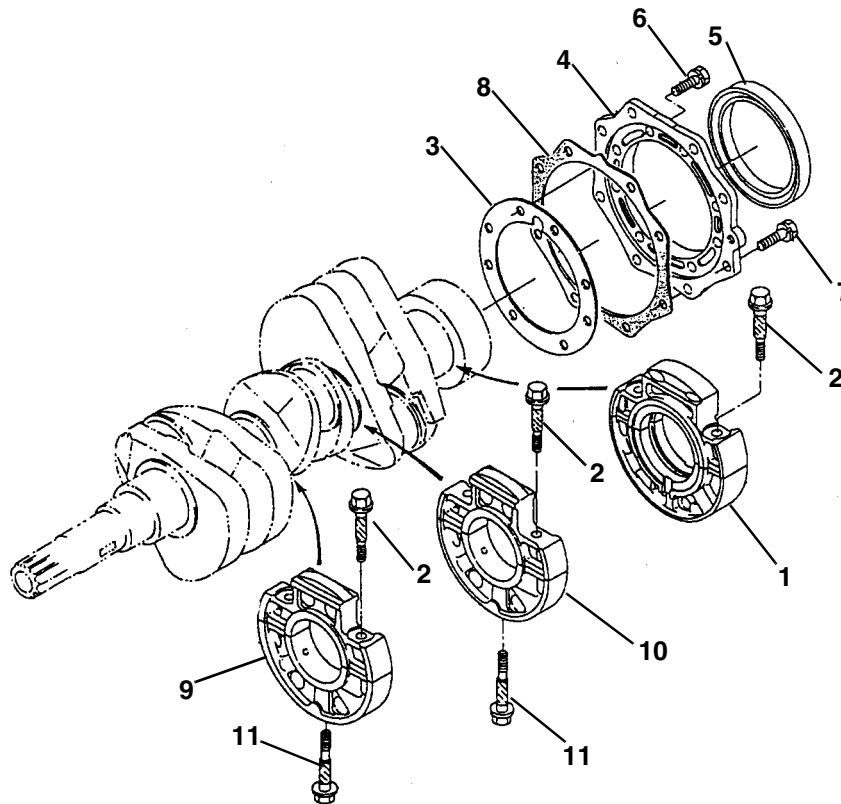


| Used On | Item | Part No. | Qty. | Description | Serial Numbers/Notes |
|---------|------|----------|------|-----------------------|----------------------|
| A~D | 1 | 4145865 | 1 | Gearcase Assembly | |
| E | 1 | 5001871 | 1 | Gearcase Assembly | |
| ● | 2 | 552951 | 2 | • Plug | |
| ● | 3 | 554069 | 1 | • Pin, Start Spring | |
| A~D | 4 | 550419 | 3 | "O" Ring | |
| E | 4 | 4145654 | 3 | "O" Ring | |
| ● | 5 | 557526 | 1 | Gasket, Gear Case | |
| ● | 6 | 550363 | 1 | Bolt | |
| ● | 7 | 5001875 | 8 | Bolt | |
| ● | 8 | 554094 | 5 | Bolt | |
| ● | 9 | 5001876 | 1 | Bolt | |
| ● | 10 | 553844 | 1 | Bolt | |
| A,B,D,E | 11 | 555501 | 1 | Joint, Pipe | |
| C | 11 | 557580 | 1 | Joint, Pipe | |
| ● | 12 | 554107 | 1 | Washer, Plain | |
| ● | 13 | 557528 | 1 | Seal, Oil | |
| ● | 14 | 5002644 | 1 | Cartridge, Oil Filter | |
| ● | 15 | 5001873 | 1 | Spring | |
| A,B,D,E | 16 | 554016 | 1 | Seat, Valve | |
| C | 16 | 4145747 | 1 | Seat, Valve | |
| E | 17 | 553862 | 1 | Ball | |
| E | 18 | 554237 | 1 | Cover | |
| E | 19 | 5001877 | 1 | Gasket | |
| E | 20 | 553003 | 3 | Stud | |
| E | 21 | 550395 | 3 | Nut | |
| E | 22 | 5001160 | 3 | Washer, Spring | |
| C | 23 | 557534 | 1 | Nut, Cap | |
| C | 24 | 557529 | 1 | Adapter Assembly | |
| C | 25 | 5001872 | 2 | • Plug | |
| C | 26 | 5002751 | 1 | • "O" Ring | |
| C | 27 | 4145686 | 1 | "O" Ring | |
| C | 28 | 4145685 | 1 | "O" Ring | |
| C | 29 | 4145842 | 1 | Joint, Pipe | |

> Change from previous revision

Engine Used On Codes
A - Greens King IV Plus
B - Greens King V and VI
C - Tri King 1900
D - GroomMaster II
E - G-Plex III
 ● - Used on all Engines

6.1 Main Bearing

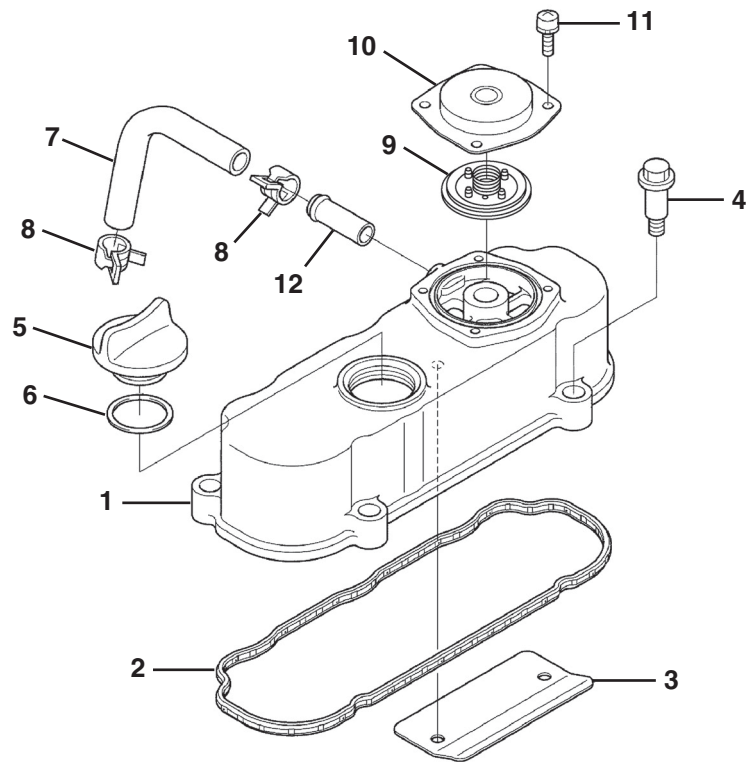


| Used On | Item | Part No. | Qty. | Description | Serial Numbers/Notes |
|---------|------|----------|------|------------------------------|----------------------|
| ● | 1 | 5001883 | 1 | Rear Main Bearing Assembly | |
| ● | 2 | 553940 | 6 | Bolt, Bearing Case | |
| ● | 3 | 5001884 | 1 | Gasket, Main Bearing | |
| ● | | 557537 | 1 | Bearing Case Cover Assembly | |
| ● | 4 | 553942 | 1 | • Cover, Main Bearing | |
| ● | 5 | 554222 | 1 | • Seal, Oil | |
| ● | 6 | 550364 | 8 | Bolt | |
| ● | 7 | 553840 | 8 | Bolt | |
| ● | 8 | 5001886 | 1 | Gasket, Bearing Case Cover | |
| ● | 9 | 5001887 | 1 | Front Main Bearing Assembly | |
| ● | 10 | 5001888 | 1 | Center Main Bearing Assembly | |
| ● | 11 | 557536 | 2 | Bolt, Bearing Case | |

> Change from previous revision

Engine Used On Codes A - Greens King IV Plus B - Greens King V and VI C - Tri King 1900 D - GroomMaster II
 E - G-Plex III ● - Used on all Engines

7.1 Illustration Description

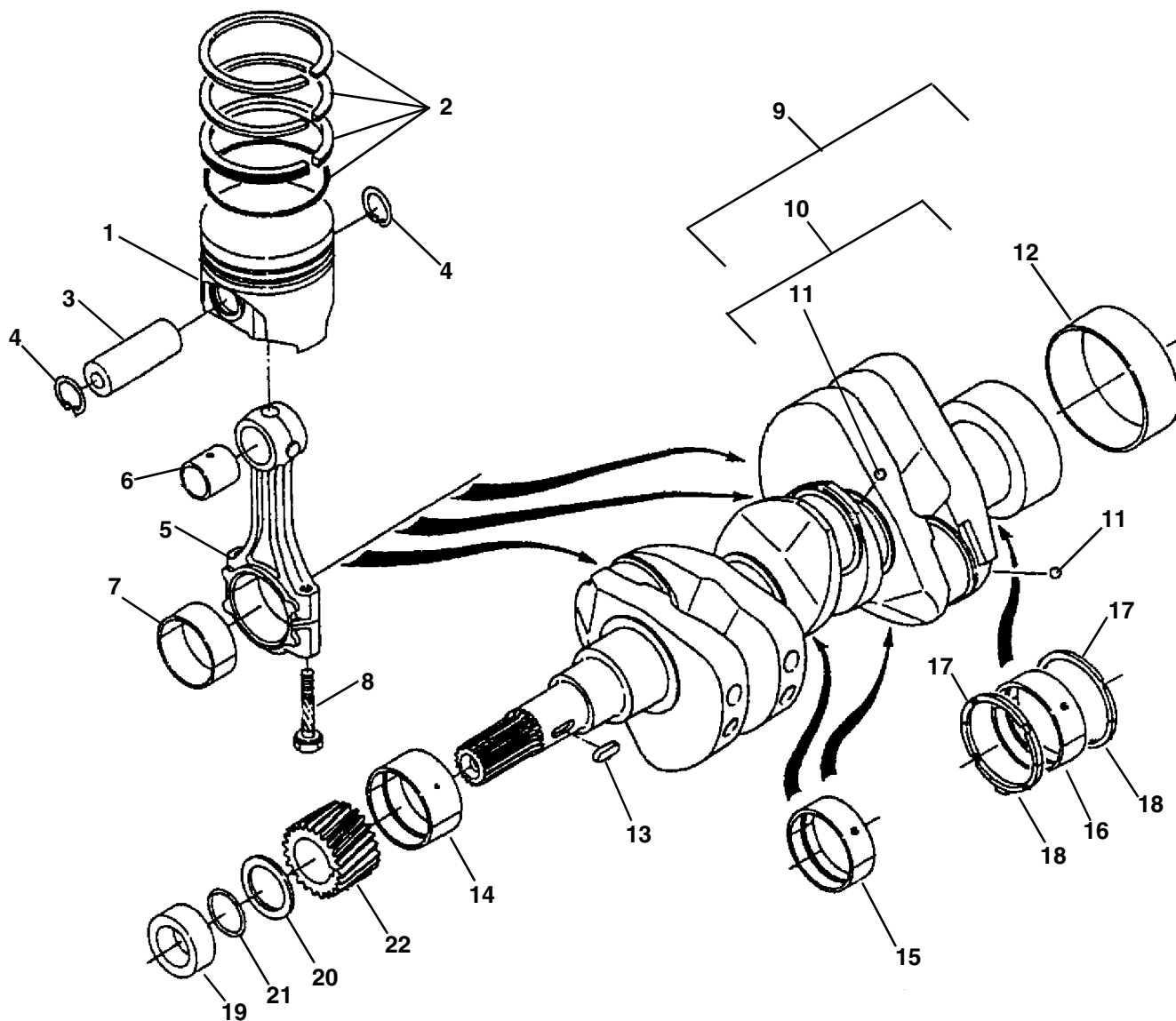


| Used On | Item | Part No. | Qty. | Description | Serial Numbers/Notes |
|---------|------|----------|------|----------------------|----------------------|
| ● | 1 | 4145930 | 1 | Cover, Head | |
| ● | 2 | 4145937 | 1 | Gasket, Head Cover | |
| ● | 3 | 4145916 | 1 | Oil Shield, Breather | |
| ● | 4 | 4145913 | 4 | Bolt | |
| ● | 5 | 4145944 | 1 | Plug, Oil Filler | |
| ● | 6 | 2809955 | 1 | "O" Ring | |
| ● | 7 | 4145917 | 1 | Tube, Breather | |
| ● | 8 | 4145691 | 2 | Clamp, Hose | |
| ● | 9 | 4145912 | 1 | Valve, Breather | |
| ● | 10 | 4145911 | 1 | Cover, Breather | |
| ● | 11 | 550400 | 4 | Screw, with Washer | |
| ● | 12 | 4134380 | 1 | Pipe, Water Return | |

> Change from previous revision

Engine Used On Codes A - Greens King IV Plus B - Greens King V and VI C - Tri King 1900 D - GroomMaster II
 E - G-Plex III ● - Used on all Engines

8.1 Crankshaft



| Used On | Item | Part No. | Qty. | Description | Serial Numbers/Notes |
|---------|------|----------|------|-------------------------|----------------------|
| A~D | 1 | 5001896 | 3 | Piston | Standard Size |
| E | 1 | 5002014 | 3 | Piston | Standard Size |
| A~D | 1 | 5001897 | 3 | Piston | + 0.25 mm |
| E | 1 | 2810927 | 3 | Piston | + 0.25 mm |
| A~D | 2 | 5001898 | 3 | Piston Ring | Standard Size |
| E | 2 | 2810925 | 3 | Piston Ring | Standard Size |
| A~D | 2 | 5001899 | 3 | Piston Ring | + 0.25 mm |
| E | 2 | 4145870 | 3 | Piston Ring | + 0.25 mm |
| ● | 3 | 5001900 | 3 | Pin, Piston | |
| ● | 4 | 550597 | 6 | Cir-Clip, Piston Pin | |
| ● | 5 | 5001902 | 3 | Connecting Rod | |
| ● | 6 | 5001903 | 3 | • Bush, Piston Pin | |
| ● | 7 | 553974 | 6 | • Bolt, Connecting Rod | |
| ● | 8 | 5001904 | 3 | • Metal, Crank Pin | Standard Size |
| ● | 8 | 5001905 | 3 | • Metal, Crank Pin | - 0.2 mm |
| ● | 8 | 5001906 | 3 | • Metal, Crank Pin | - 0.4 mm |
| ● | 9 | 4145879 | 1 | Assembly Crankshaft | |
| ● | 10 | 5001907 | 1 | • Complete Crankshaft | |
| ● | 11 | 5001908 | 3 | • • Ball | |
| ● | 12 | 554221 | 1 | • Sleeve, Crankshaft | |
| ● | 13 | 550428 | 1 | Key, Feather | |
| ● | 14 | 553980 | 1 | Metal, Crankshaft | Standard Size |
| ● | 14 | 5001909 | 1 | Metal, Crankshaft | - 0.2 mm |
| ● | 14 | 5001910 | 1 | Metal, Crankshaft | - 0.4 mm |
| ● | 15 | 5001911 | 2 | Metal, Crankshaft | Standard Size |
| ● | 15 | 5001912 | 2 | Metal, Crankshaft | - 0.2 mm |
| ● | 15 | 5001913 | 2 | Metal, Crankshaft | - 0.4 mm |
| ● | 16 | 5001914 | 1 | Metal, Crankshaft | Standard Size |
| ● | 16 | 5001915 | 1 | Metal, Crankshaft | - 0.2 mm |
| ● | 16 | 5001916 | 1 | Metal, Crankshaft | - 0.4 mm |
| ● | 17 | 550606 | 2 | Metal, Side | Standard Size |
| ● | 17 | 553896 | 2 | Metal, Side | - 0.2 mm |
| ● | 17 | 553897 | 2 | Metal, Side | - 0.4 mm |
| ● | 18 | 550607 | 2 | Metal, Side | Standard Size |
| ● | 18 | 553898 | 2 | Metal, Side | - 0.2 mm |
| ● | 18 | 553899 | 2 | Metal, Side | - 0.4 mm |
| ● | 19 | 553978 | 1 | Collar, Crankshaft | |
| ● | 20 | 557553 | 1 | Slinger, Oil | |
| ● | 21 | 553856 | 1 | "O" Ring | |
| ● | 22 | 554007 | 1 | Timing Gear, Crankshaft | |

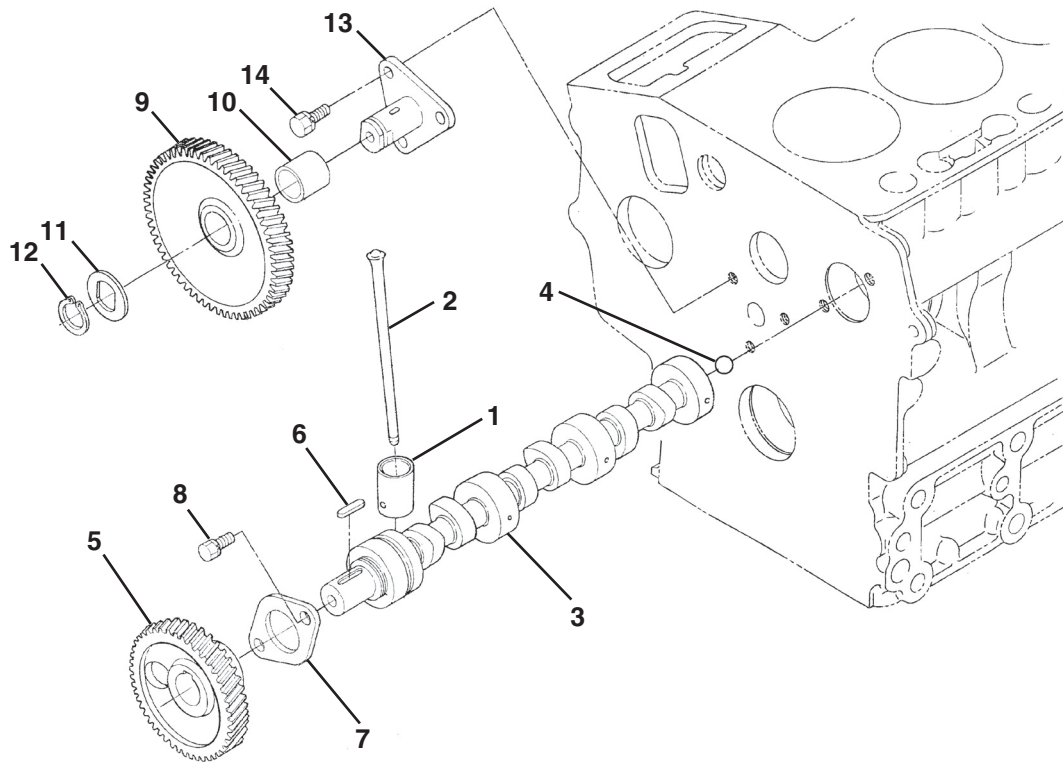
> Change from previous revision

Engine Used On Codes **A** - Greens King IV Plus **B** - Greens King V and VI **C** - Tri King 1900 **D** - GroomMaster II
E - G-Plex III ● - Used on all Engines

KUBOTA D662-EB

Serial No. All

9.1 Camshaft

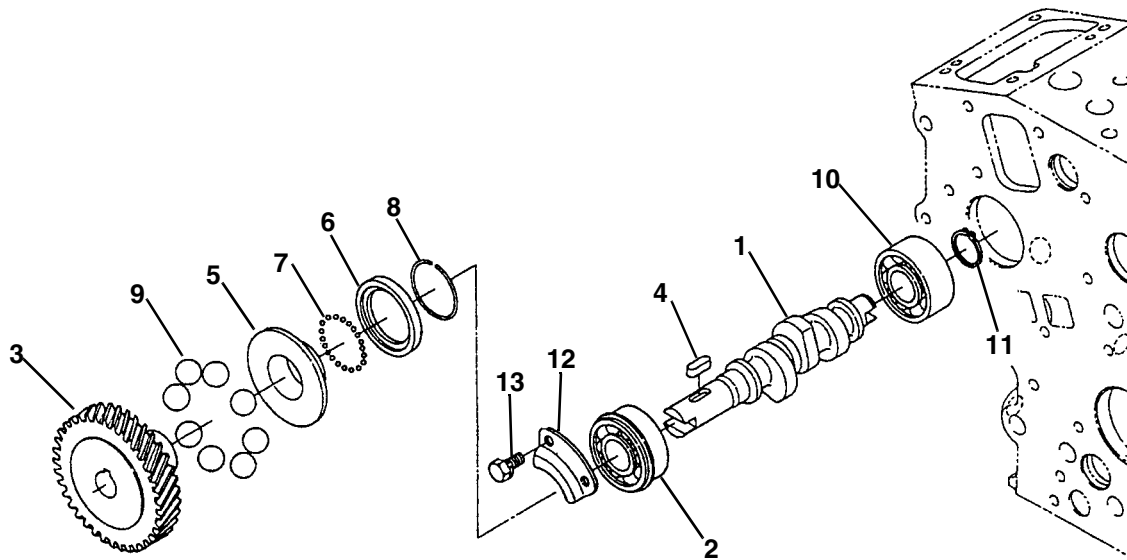


| Used On | Item | Part No. | Qty. | Description | Serial Numbers/Notes |
|---------|------|----------|------|---------------------|----------------------|
| ● | 1 | 5001889 | 6 | Tappet | |
| ● | 2 | 5001890 | 6 | Push Rod | |
| ● | 3 | 5001891 | 1 | Camshaft Assembly | |
| ● | 4 | 2500953 | 1 | • Ball | |
| ● | 5 | 5001892 | 1 | • Gear, Camshaft | |
| ● | 6 | 553860 | 1 | • Key, Feather | |
| ● | 7 | 553996 | 1 | • Stopper, Camshaft | |
| ● | 8 | 550360 | 2 | Bolt | |
| ● | 9 | 5001894 | 1 | Idle Gear | |
| ● | 10 | 5001895 | 1 | • Bush | |
| ● | 11 | 554218 | 1 | Collar, Idle Gear | |
| ● | 12 | 554216 | 1 | Snap Ring | |
| ● | 13 | 554215 | 1 | Shaft, Idle Gear | |
| ● | 14 | 550361 | 3 | Bolt | |

> Change from previous revision

Engine Used On Codes A - Greens King IV Plus B - Greens King V and VI C - Tri King 1900 D - GroomMaster II
 E - G-Plex III ● - Used on all Engines

10.1 Fuel Camshaft



| Used On | Item | Part No. | Qty. | Description | Serial Numbers/Notes |
|---------|------|----------|------|-----------------------------|----------------------|
| ● | | 5001920 | 1 | Fuel Camshaft Assembly | |
| ● | 1 | 554213 | 1 | • Fuel Camshaft | |
| ● | 2 | 553864 | 1 | • Bearing, Ball | |
| ● | 3 | 5001921 | 1 | • Gear, Injection Pump | |
| ● | 4 | 550428 | 1 | • Key, Feather | |
| ● | 5 | 554062 | 1 | • Sleeve, Governor | |
| ● | 6 | 554063 | 1 | • Case, Governor ball | |
| ● | 7 | 553861 | 32 | • Ball | |
| ● | 8 | 550632 | 1 | • Cir-Clip, Governor Sleeve | |
| ● | 9 | 550434 | 8 | • Ball | |
| ● | 10 | 4145886 | 1 | Bearing, Ball | |
| ● | 11 | 553854 | 1 | Cir-Clip External | |
| ● | 12 | 553967 | 1 | Stopper, Fuel Camshaft | |
| ● | 13 | 550360 | 2 | Bolt | |

> Change from previous revision

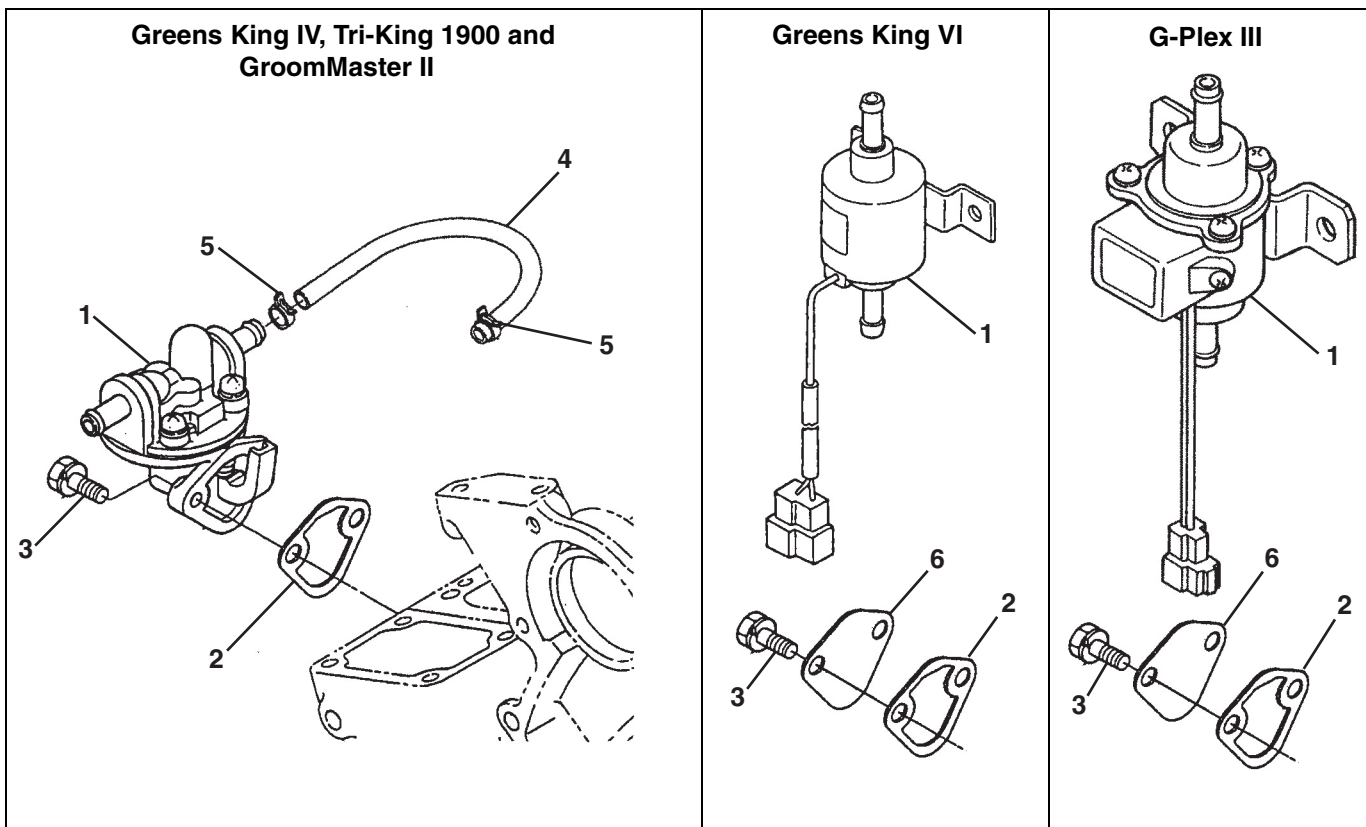
Engine Used On Codes A - Greens King IV Plus
E - G-Plex III ● - Used on all Engines

B - Greens King V and VI

C - Tri King 1900

D - GroomMaster II

11.1 Fuel Pump

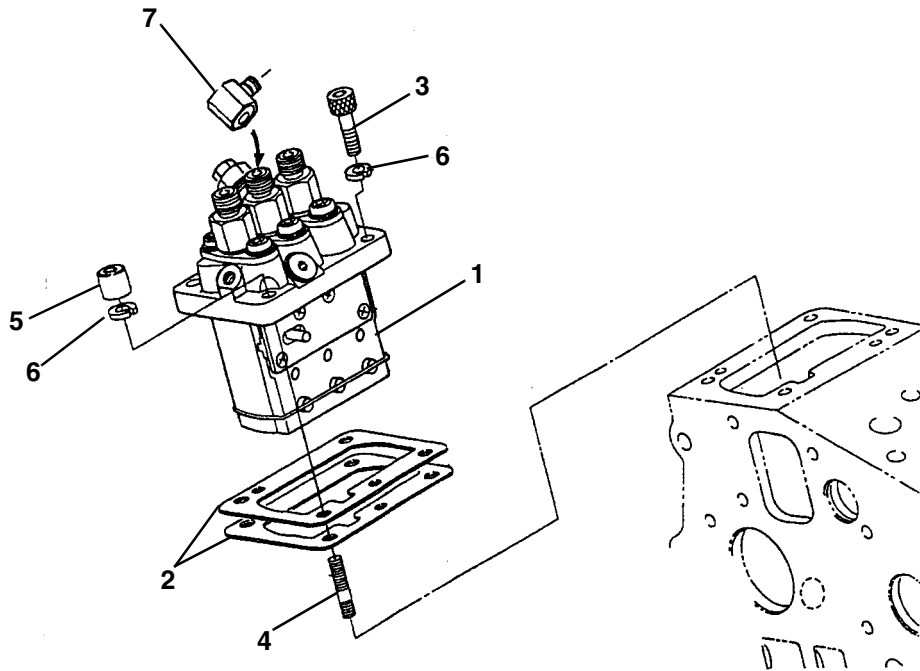


| Used On | Item | Part No. | Qty. | Description | Serial Numbers/Notes |
|---------|------|----------|------|-----------------------------------|----------------------|
| B | 1 | 5001948 | 1 | Fuel Pump | |
| A,C,D | 1 | 5002000 | 1 | Fuel Pump | |
| E | 1 | 4145700 | 1 | Fuel Pump | |
| ● | 2 | 5001922 | 1 | Gasket, Fuel Pump | |
| ● | 3 | 550362 | 2 | Bolt | |
| A,C,D | 4 | 594492 | 1 | Hose, Fuel Pump to Injection Pump | |
| A,C,D | 5 | 553105 | 2 | • Clip, Pipe | |
| B,E | 6 | 2500962 | 1 | Cover | |

> Change from previous revision

Engine Used On Codes A - Greens King IV Plus B - Greens King V and VI C - Tri King 1900 D - GroomMaster II
 E - G-Plex III ● - Used on all Engines

12.1 Injection Pump



| Used On | Item | Part No. | Qty. | Description | Serial Numbers/Notes |
|---------|------|----------|------|---------------------|----------------------|
| ● | 1 | 5001925 | 1 | Pump, Injection | See 13.1 |
| ● | 2 | 554202 | AR | Shim, 0.2 mm thick | |
| ● | 2 | 5000886 | AR | Shim, 0.25 mm thick | |
| ● | 2 | 5001118 | AR | Shim, 0.3 mm thick | |
| ● | 3 | 553848 | 2 | Bolt | |
| ● | 4 | 554099 | 2 | Stud | |
| ● | 5 | 554104 | 2 | Nut, Cap | |
| ● | 6 | 5001160 | 4 | Washer, Spring | |
| ● | 7 | 554112 | 1 | Joint | |

> Change from previous revision

Engine Used On Codes A - Greens King IV Plus
E - G-Plex III ● - Used on all Engines

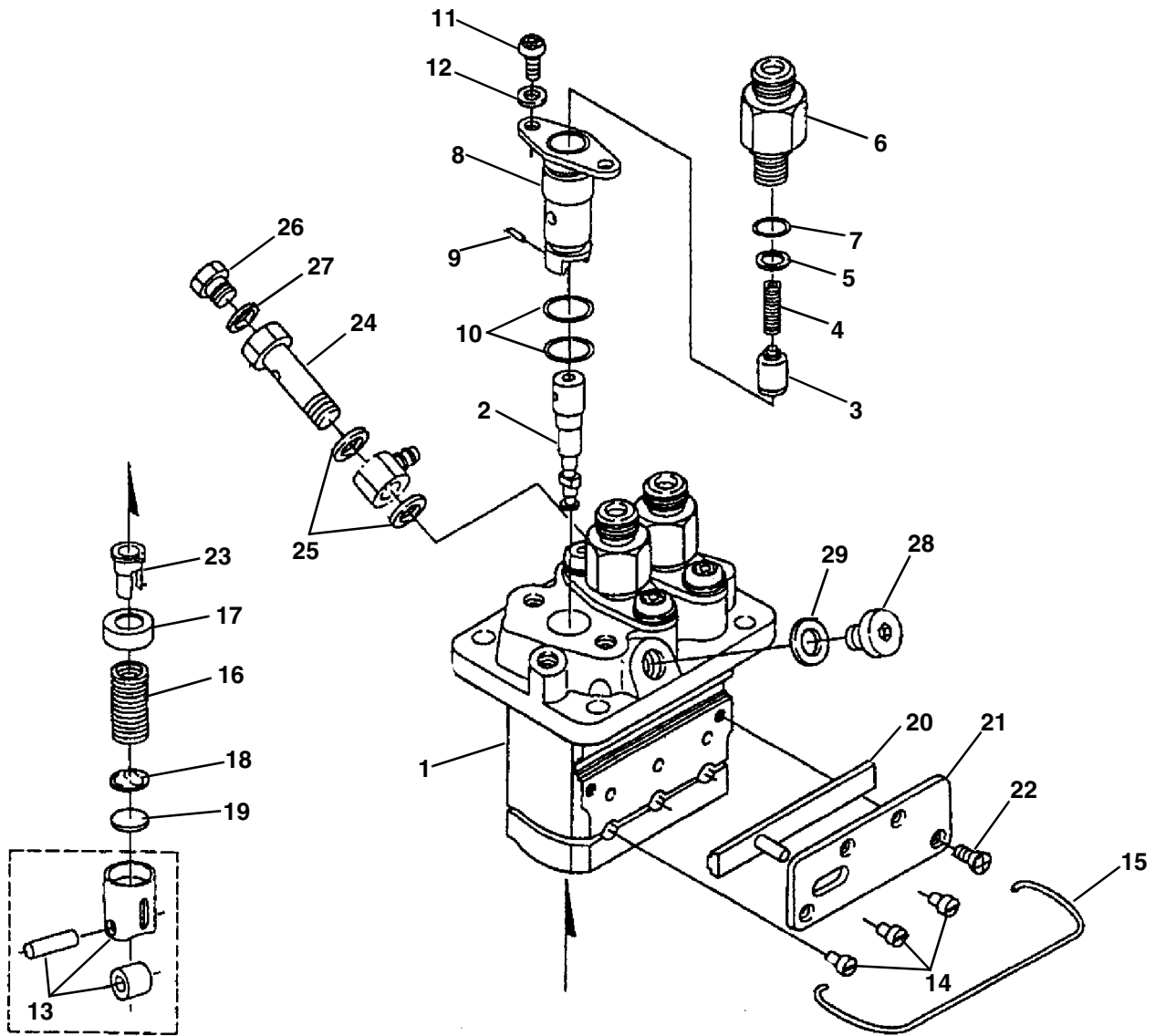
B - Greens King V and VI

C - Tri King 1900

D - GroomMaster II

13.1 Injection Pump (Disassembled)

Part Number 5001925

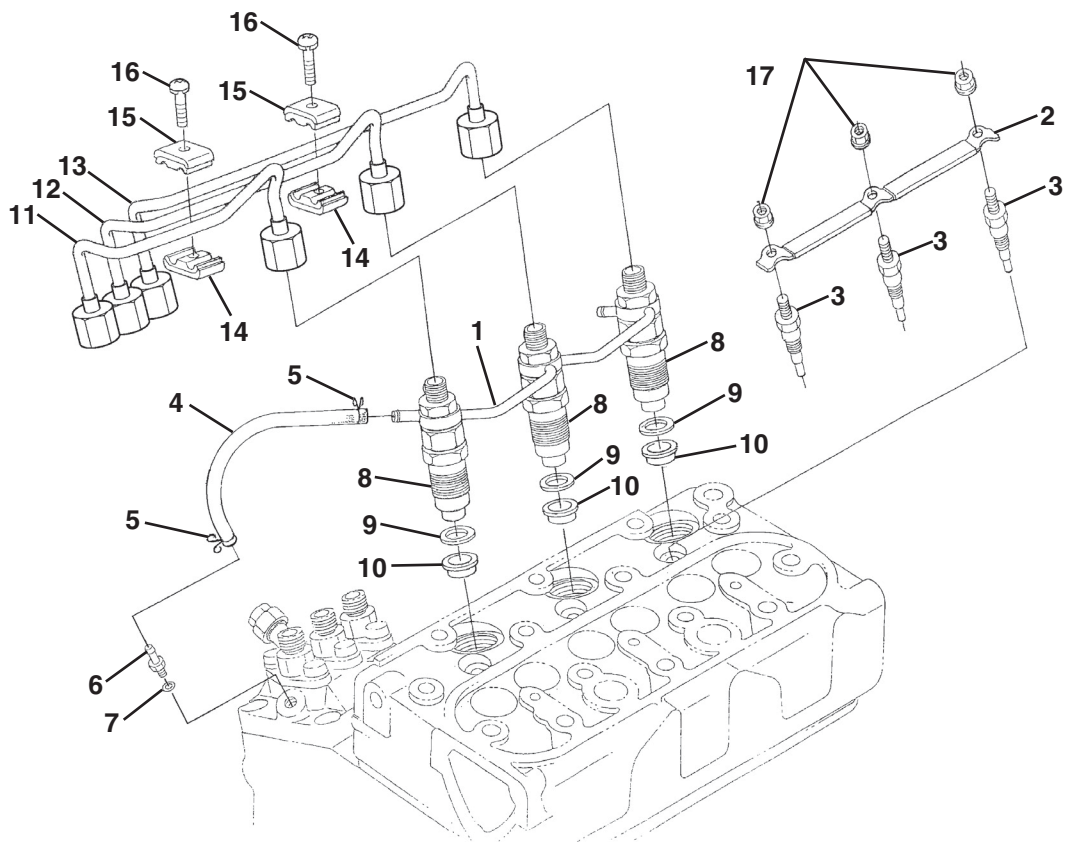


| Used On | Item | Part No. | Qty. | Description | Serial Numbers/Notes |
|---------|------|----------|------|-------------------------|----------------------|
| ● | 1 | N/S | 1 | Housing, Injection Pump | |
| ● | 2 | 5001927 | 3 | Element, Pump | |
| ● | 3 | 554023 | 3 | Valve, Delivery | |
| ● | 4 | 554029 | 3 | Spring, Delivery Valve | |
| ● | 5 | 554030 | 3 | Gasket | |
| ● | 6 | 5001929 | 3 | Holder, Delivery Valve | |
| ● | 7 | 554118 | 3 | "O" Ring | |
| ● | 8 | 554040 | 3 | Flange, Sleeve | |
| ● | 9 | 554111 | 3 | Pin | |
| ● | 10 | 554027 | 6 | "O" Ring | |
| ● | 11 | 557627 | 6 | Screw | |
| ● | 12 | 554163 | 3 | Washer | |
| ● | 13 | 554025 | 3 | Tappet | |
| ● | 14 | 554031 | 3 | Pin, Tappet Guide | |
| ● | 15 | 554200 | 1 | Pin, Clamp | |
| ● | 16 | 554033 | 3 | Spring, Plunger | |
| ● | 17 | 554032 | 3 | Seat, Upper Spring | |
| ● | 18 | 554034 | 3 | Seat, Under Spring | |
| ● | 19 | 554039 | 1 | Shim | |
| ● | 20 | 554199 | 1 | Control Rack | |
| ● | 21 | 554201 | 1 | Plate | |
| ● | 22 | 554106 | 4 | Screw | |
| ● | 23 | 554038 | 3 | Sleeve, Control | |
| ● | 24 | 554035 | 1 | Screw | |
| ● | 25 | 554116 | 2 | Gasket | |
| ● | 26 | 554036 | 1 | Screw | |
| ● | 27 | 554117 | 1 | Gasket, Screw | |
| ● | 28 | 554208 | 1 | Bolt | |
| ● | 29 | 5001208 | 1 | Gasket, Bolt | |

> Change from previous revision

Engine Used On Codes
 A - Greens King IV Plus
 B - Greens King V and VI
 C - Tri King 1900
 D - GroomMaster II
 E - G-Plex III
 ● - Used on all Engines

14.1 Fuel Delivery



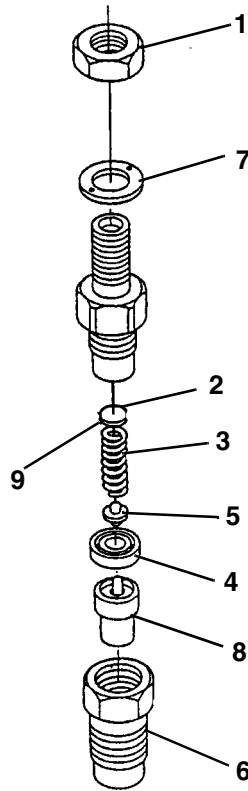
| Used On | Item | Part No. | Qty. | Description | Serial Numbers/Notes |
|---------|------|----------|------|-------------------------|----------------------|
| ● | 1 | 5001937 | 1 | Pipe, Over Flow | See 15.1 |
| ● | 2 | 5001942 | 1 | Cord, Glow Plug | |
| ● | 3 | 5000899 | 3 | Glow Plug | |
| ● | 4 | 554022 | 1 | Pipe, Overflow | |
| ● | 5 | 553105 | 2 | • Clip, Pipe | |
| ● | 6 | 554037 | 1 | Screw | |
| ● | 7 | 553143 | 1 | Gasket | |
| ● | | 5001943 | 1 | Kit, Nozzle Holder | |
| ● | 8 | 5001944 | 3 | • Nozzle Holder | |
| ● | 9 | 554051 | 3 | • Gasket, Nozzle Holder | |
| ● | 10 | 557352 | 3 | • Seal, Heat | |
| ● | 11 | 5001939 | 1 | Pipe, Injection 1 | |
| ● | 12 | 5001940 | 1 | Pipe, Injection 2 | |
| ● | 13 | 5001941 | 1 | Pipe, Injection 3 | |
| ● | 14 | 554054 | 2 | Clamp, Pipe | |
| ● | 15 | 554055 | 2 | Clamp, Pipe | |
| ● | 16 | 550401 | 2 | Screw, with washer | |
| ● | 17 | 5001142 | 3 | Nut, Flange | |

> Change from previous revision

Engine Used On Codes
 A - Greens King IV Plus
 B - Greens King V and VI
 C - Tri King 1900
 D - GroomMaster II
 E - G-Plex III
 ● - Used on all Engines

15.1 Nozzle Holder

Part Number 5001944

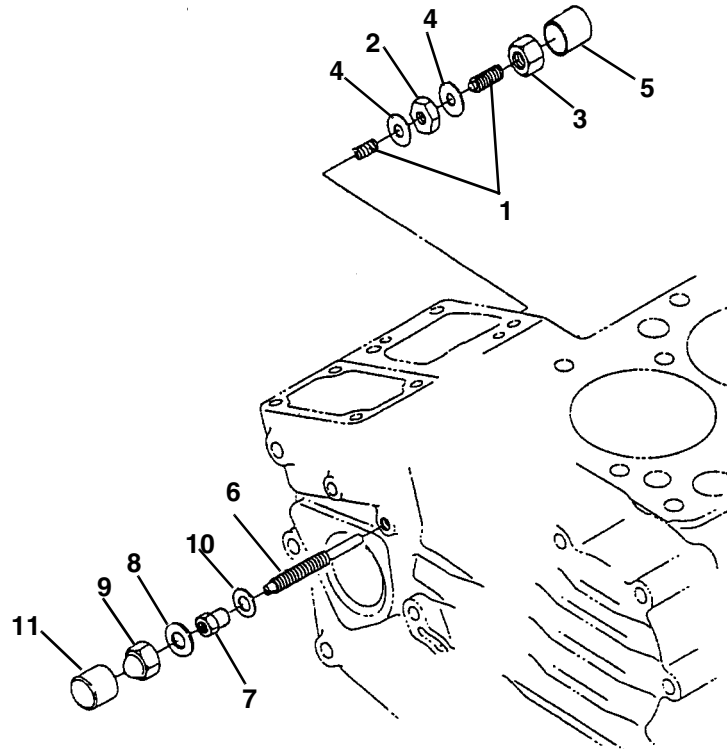


| Used On | Item | Part No. | Qty. | Description | Serial Numbers/Notes |
|---------|------|----------|------|-------------------|---|
| ● | 1 | 554103 | 1 | Nut | |
| ● | 2 | 554047 | 1 | Washer, Adjusting | |
| ● | 3 | 554046 | 1 | Spring, Nozzle | |
| ● | 4 | 554049 | 1 | Piece, Distance | |
| ● | 5 | 554045 | 1 | Push Rod | |
| ● | 6 | 5001945 | 1 | Nut, Nozzle | |
| ● | 7 | 554110 | 1 | Washer | |
| ● | 8 | 5001946 | 1 | Piece, Nozzle | |
| ● | 9 | 554120 | 1 | Shim Washer Set | Washer Set, 0.9 ~ 1.95 mm in 0.025 mm increments |

> Change from previous revision

Engine Used On Codes A - Greens King IV Plus B - Greens King V and VI C - Tri King 1900 D - GroomMaster II
E - G-Plex III ● - Used on all Engines

16.1 Idle Adjustment



| Used On | Item | Part No. | Qty. | Description | Serial Numbers/Notes |
|---------|------|----------|------|---------------------------|----------------------|
| A,D,E | | 5001923 | 1 | Idling Apparatus Assembly | |
| B,C | | 554056 | 1 | Idling Apparatus Assembly | |
| A,D,E | 1 | 5001924 | 1 | • Adjusting Bolt Assembly | |
| B,C | 1 | 554057 | 1 | • Adjusting Bolt Assembly | |
| ● | 2 | 550656 | 1 | • Nut | |
| ● | 3 | 554059 | 1 | • Nut, Cap | |
| ● | 4 | 552958 | 2 | • Gasket | |
| ● | 5 | 554060 | 1 | Cap | |
| ● | 6 | 554058 | 1 | Adjusting Bolt | |
| ● | 7 | 5002018 | 1 | Nut (S lock) | |
| ● | 8 | 553143 | 1 | Gasket | |
| ● | 9 | 554105 | 1 | Nut, Cap | |
| ● | 10 | 4145906 | 1 | Gasket | |
| ● | 11 | 2500986 | 1 | Pipe, Lock | |

> Change from previous revision

Engine Used On Codes A - Greens King IV Plus
E - G-Plex III

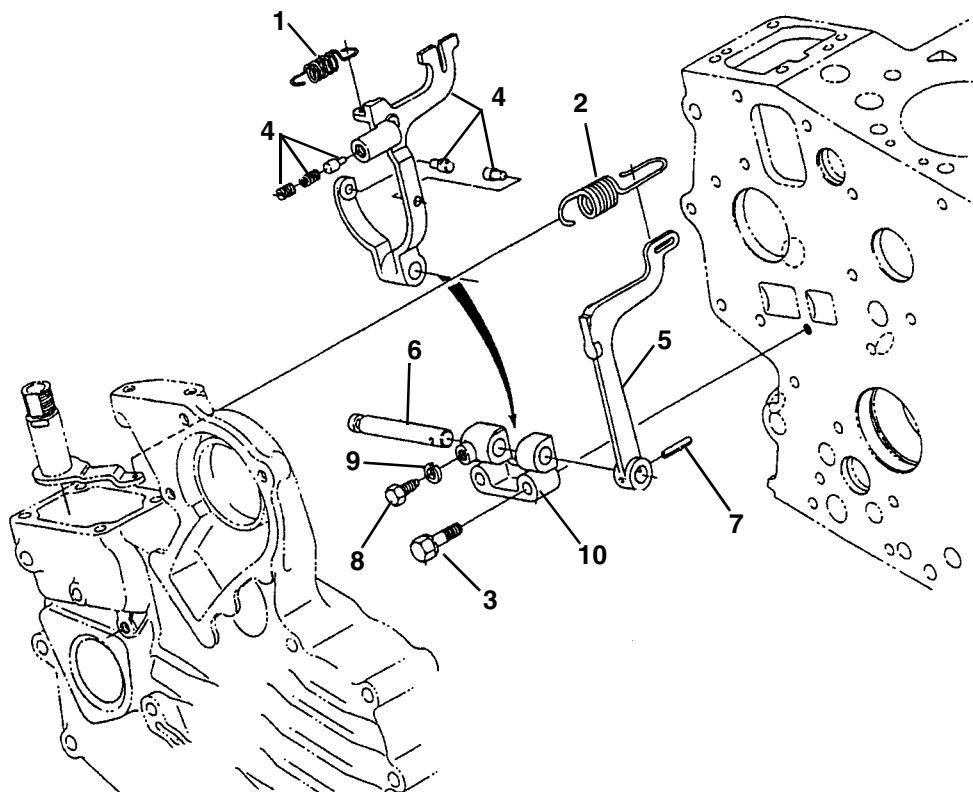
B - Greens King V and VI

C - Tri King 1900

D - GroomMaster II

● - Used on all Engines

17.1 Governor



| Used On | Item | Part No. | Qty. | Description | Serial Numbers/Notes |
|---------|------|----------|------|-------------------------|----------------------|
| A~D | 1 | 554070 | 1 | Spring, Start | |
| E | 1 | 2810928 | 1 | Spring, Start | |
| B,C,E | 2 | 5001930 | 1 | Spring, Governor | |
| A,D | 2 | 554236 | 1 | Spring, Governor | |
| ● | 3 | 550367 | 1 | Bolt | |
| B | | 5001931 | 1 | Fork Lever Assembly | |
| C | | 4145888 | 1 | Fork Lever Assembly | |
| A,D,E | | 2810638 | 1 | Fork Lever Assembly | |
| B~E | 4 | 5001932 | 1 | • Fork Lever 1 Assembly | |
| A,F~H | 4 | 2810639 | 1 | • Fork Lever 1 Assembly | |
| ● | | 554064 | 1 | • Fork Lever 2 Assembly | |
| ● | 5 | 554066 | 1 | • • Fork Lever 2 | |
| ● | 6 | 554067 | 1 | • • Shaft, Fork Lever | |
| ● | 7 | 553858 | 1 | • • Pin, Spring | |
| ● | 8 | 550646 | 1 | • Bolt | |
| ● | 9 | 550407 | 1 | • Washer, Spring | |
| ● | 10 | 554068 | 1 | • Holder, Fork Lever | |

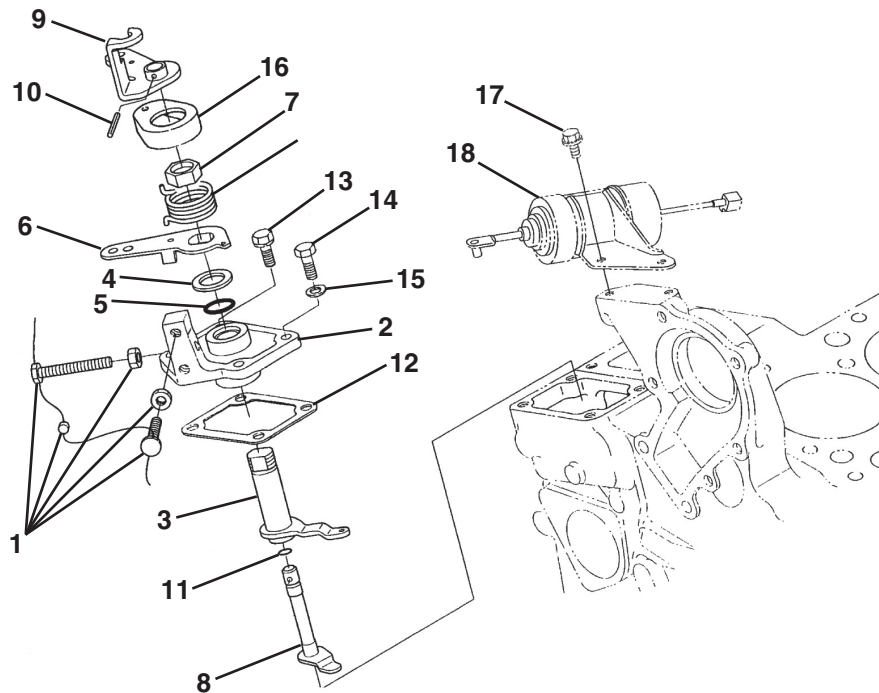
> Change from previous revision

Engine Used On Codes A - Greens King IV Plus
E - G-Plex III ● - Used on all Engines

B - Greens King V and VI C - Tri King 1900

D - GroomMaster II

18.1 Accelerator

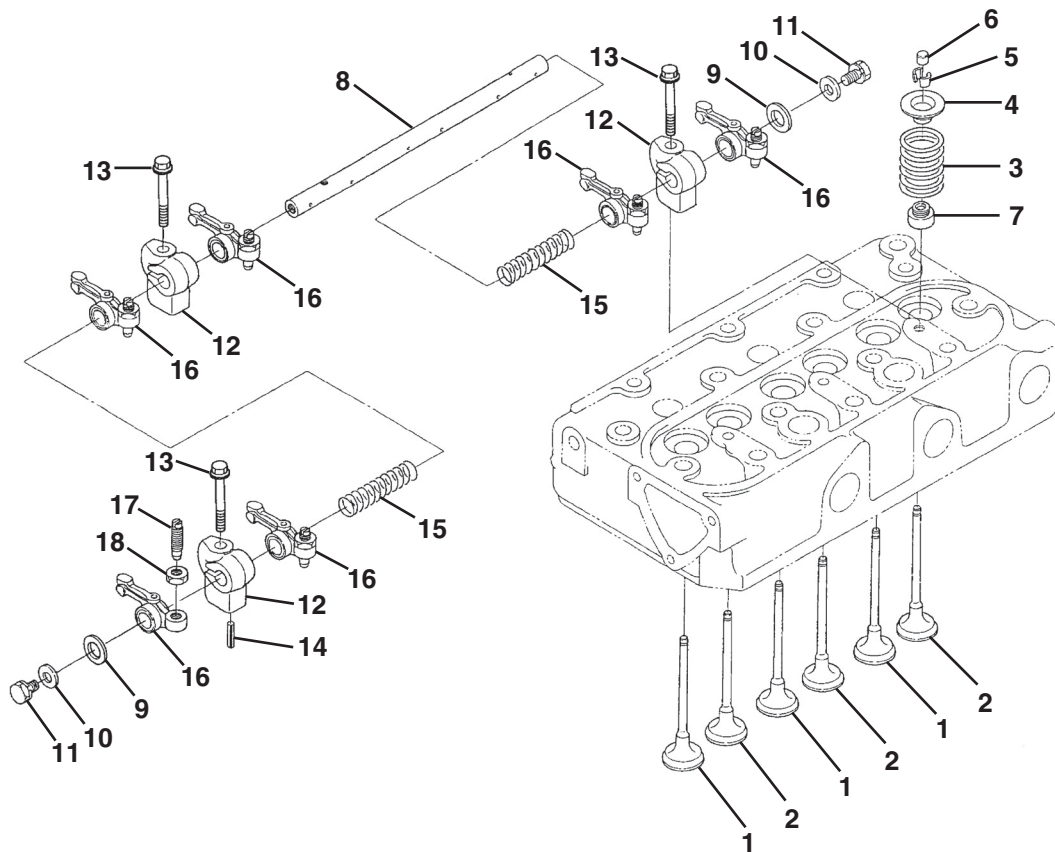


| Used On | Item | Part No. | Qty. | Description | Serial Numbers/Notes |
|---------|------|----------|------|------------------------------|----------------------|
| A~D | | 5001936 | 1 | Complete Speed Control Plate | |
| E | | 4145908 | | Complete Speed Control Plate | |
| ● | 1 | N/S | 1 | • Speed Control Stop Lock | |
| ● | 2 | 554071 | 1 | • Speed Control Plate | |
| ● | 3 | 554065 | 1 | • Lever, Governor | |
| ● | 4 | 4145893 | 1 | • Collar | |
| ● | 5 | 553855 | 1 | • "O" Ring | |
| ● | 6 | 5001934 | 1 | • Lever, Speed Control | |
| ● | 7 | 4145882 | 2 | • Nut | |
| ● | 8 | 5001935 | 1 | • Shaft, Lever | |
| A~D | 9 | 554075 | 1 | • Lever, Engine Stop | |
| E | 9 | 2810929 | 1 | • Lever, Engine Stop | |
| ● | 10 | 4145689 | 1 | • Pin, Spring | |
| ● | 11 | 550420 | 1 | • "O" Ring | |
| ● | 12 | 554073 | 1 | Gasket, Speed Control Plate | |
| ● | 13 | 550363 | 2 | Bolt | |
| ● | 14 | 553846 | 2 | Bolt | |
| ● | 15 | 553143 | 2 | Gasket, Bolt | |
| A | 16 | 2810935 | 1 | Cap | |
| E | 17 | 2501015 | 2 | Bolt | |
| E | 18 | 2810930 | 1 | Solenoid, Stop | |

> Change from previous revision

Engine Used On Codes A - Greens King IV Plus B - Greens King V and VI C - Tri King 1900 D - GroomMaster II
 E - G-Plex III ● - Used on all Engines

19.1 Rocker Arm

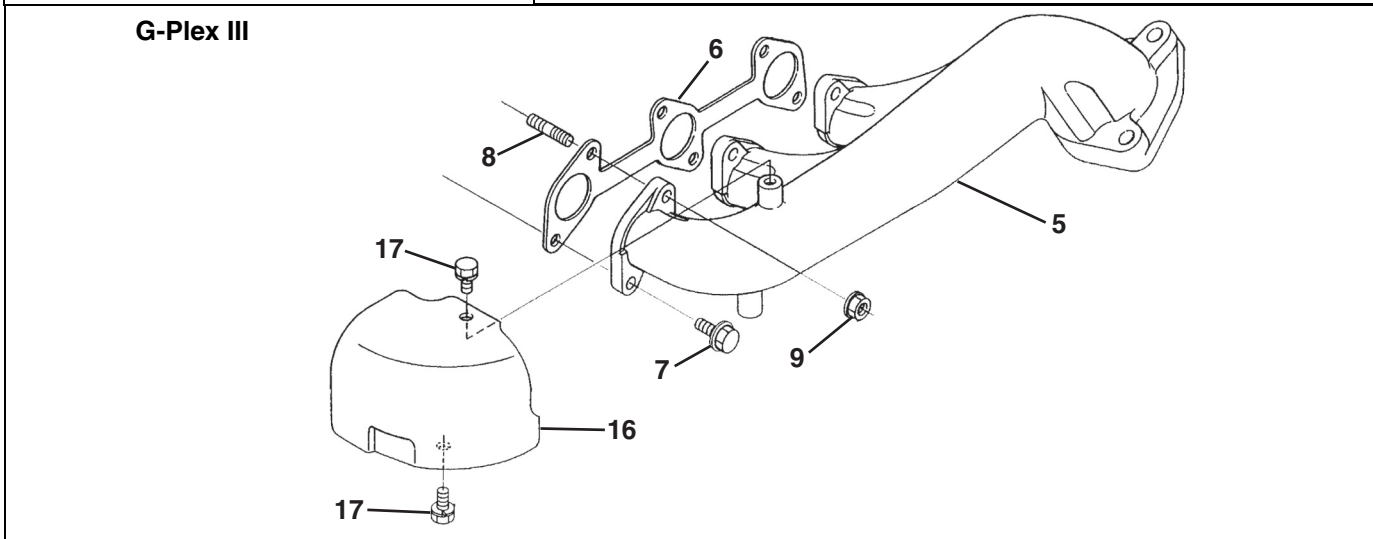
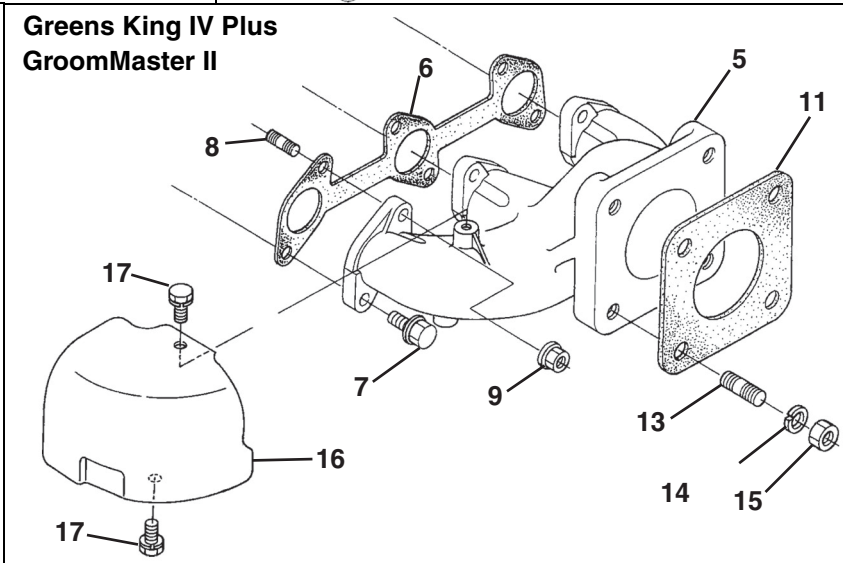
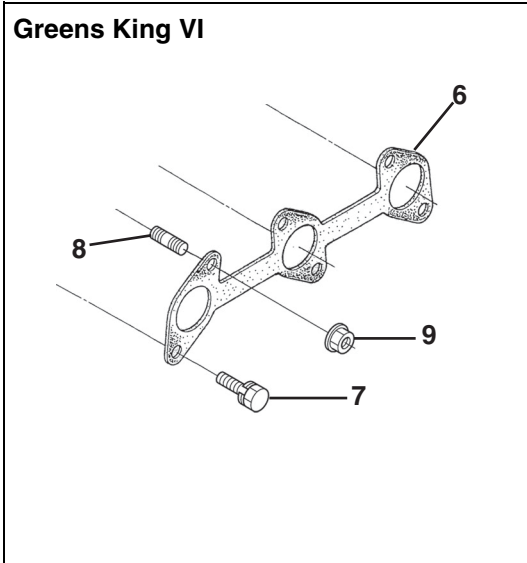
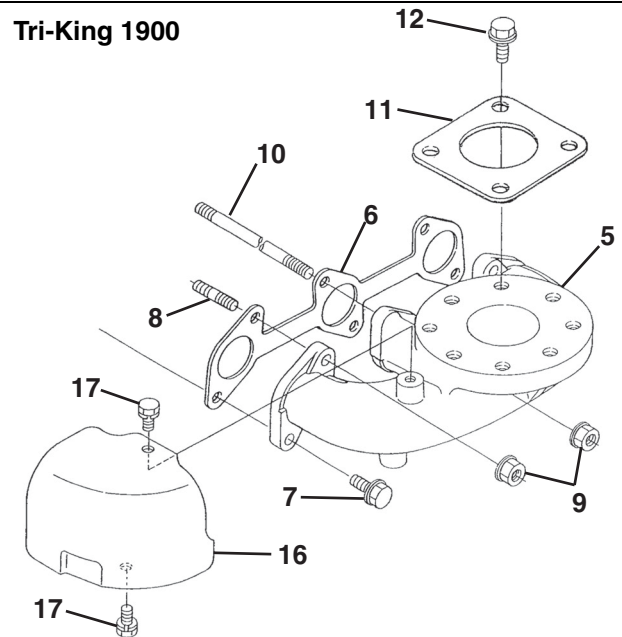
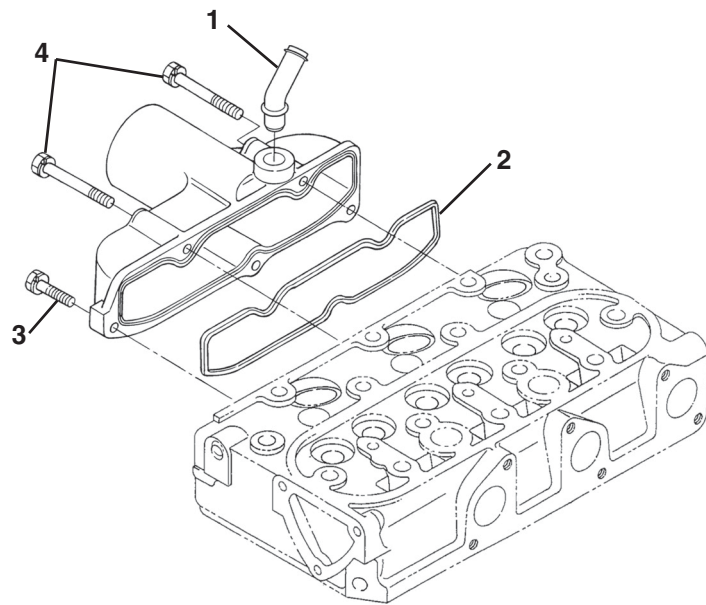


| Used On | Item | Part No. | Qty. | Description | Serial Numbers/Notes |
|---------|------|----------|------|------------------------|----------------------|
| ● | 1 | 553868 | 3 | Valve, Inlet | |
| ● | 2 | 553869 | 3 | Valve, Exhaust | |
| ● | 3 | 557546 | 6 | Spring, Valve | |
| ● | 4 | 553872 | 6 | Retainer, Valve Spring | |
| ● | 5 | 553873 | 12 | Collet, Valve Spring | |
| ● | 6 | 553871 | 6 | Cap, Valve | |
| ● | 7 | 5001981 | 6 | Seal, Valve Stem | |
| ● | 8 | 554192 | 1 | Shaft, Rocker Arm | |
| ● | 9 | 5001982 | 2 | Washer | |
| ● | 10 | 554108 | 2 | Washer, Plain | |
| ● | 11 | 553839 | 2 | Bolt | |
| ● | 12 | 4145928 | 3 | Bracket, Rocker Arm | |
| ● | 13 | 4145650 | 3 | Bolt | |
| ● | 14 | 550425 | 1 | Pin, Spring | |
| ● | 15 | 553875 | 2 | Spring, Rocker Arm | |
| ● | 16 | 553955 | 6 | Rocker arm | |
| ● | 17 | 553957 | 6 | • Screw, Adjusting | |
| ● | 18 | 553874 | 6 | • Nut | |

> Change from previous revision

Engine Used On Codes
 A - Greens King IV Plus
 B - Greens King V and VI
 C - Tri King 1900
 D - GroomMaster II
 E - G-Plex III
 ● - Used on all Engines

20.1 Intake and Exhaust Manifolds

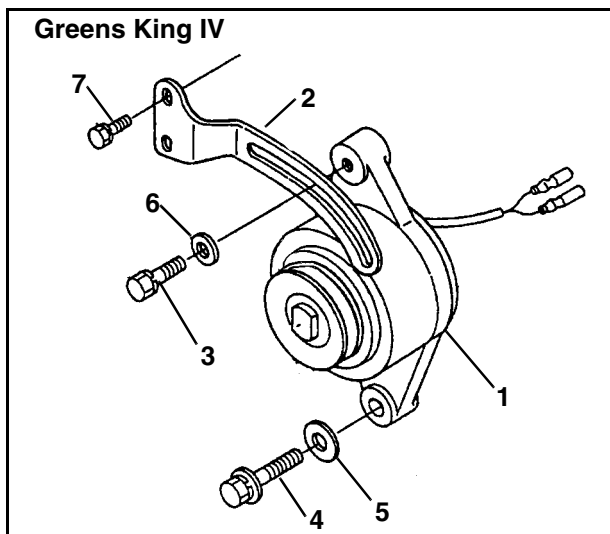
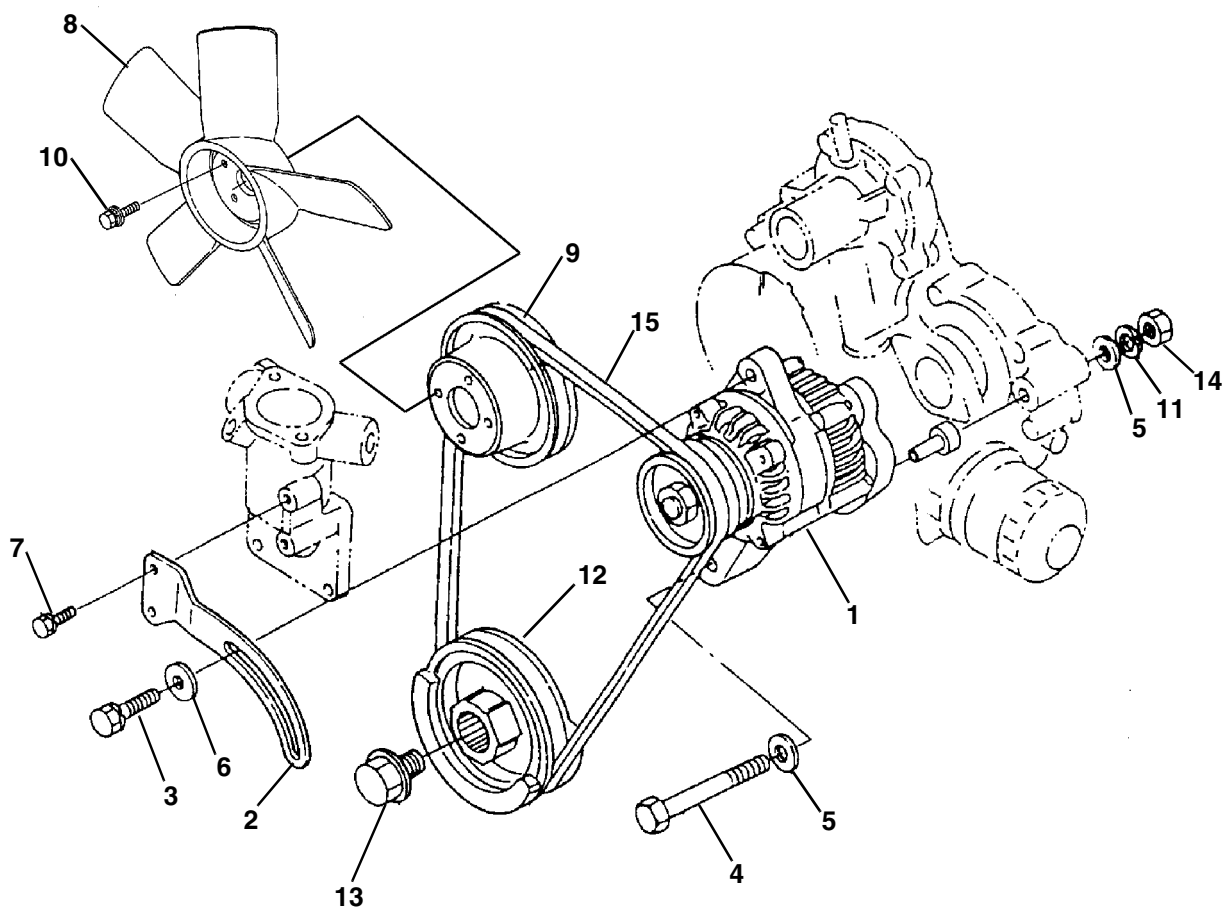


| Used On | Item | Part No. | Qty. | Description | Serial Numbers/Notes |
|---------|------|----------|------|--------------------------|----------------------|
| ● | | 2810648 | 1 | Inlet Manifold Assembly | |
| ● | 1 | 4145941 | 1 | • Pipe, Breather | |
| ● | 2 | 554190 | 1 | • Gasket, Inlet Manifold | |
| ● | 3 | 550363 | 2 | Bolt | |
| ● | 4 | 553841 | 3 | Bolt | |
| C | 5 | 5002008 | 1 | Manifold, Exhaust | |
| A,D | 5 | 2810651 | 1 | Manifold, Exhaust | |
| E | 5 | 4145872 | 1 | Manifold, Exhaust | |
| ● | 6 | 5001984 | 1 | Gasket, Exhaust Manifold | |
| B | 7 | 550363 | 3 | Bolt | |
| A,C~E | 7 | 5002010 | 3 | Bolt | |
| A~E | 8 | 553849 | 3 | Stud | |
| ● | 9 | 5001985 | 3 | Nut, UBS | |
| C | 10 | 557545 | 2 | Stud | |
| A,C,D | 11 | 553020 | 1 | Gasket, Muffler | |
| C | 12 | 594331 | 4 | Bolt | |
| A,C | 13 | 594344 | 4 | Stud | |
| A,C | 14 | 550409 | 4 | Washer, Spring | |
| A,C | 15 | 553851 | 4 | Nut | |
| A,C~E | 16 | 2811875 | 1 | Shield, Heat | |
| A,C,D | 17 | 2811876 | 2 | Bolt | |
| E | 17 | 4145647 | 2 | Bolt | |

> Change from previous revision

Engine Used On Codes **A** - Greens King IV Plus **B** - Greens King V and VI **C** - Tri King 1900 **D** - GroomMaster II
E - G-Plex III ● - Used on all Engines

21.1 Fan Belt



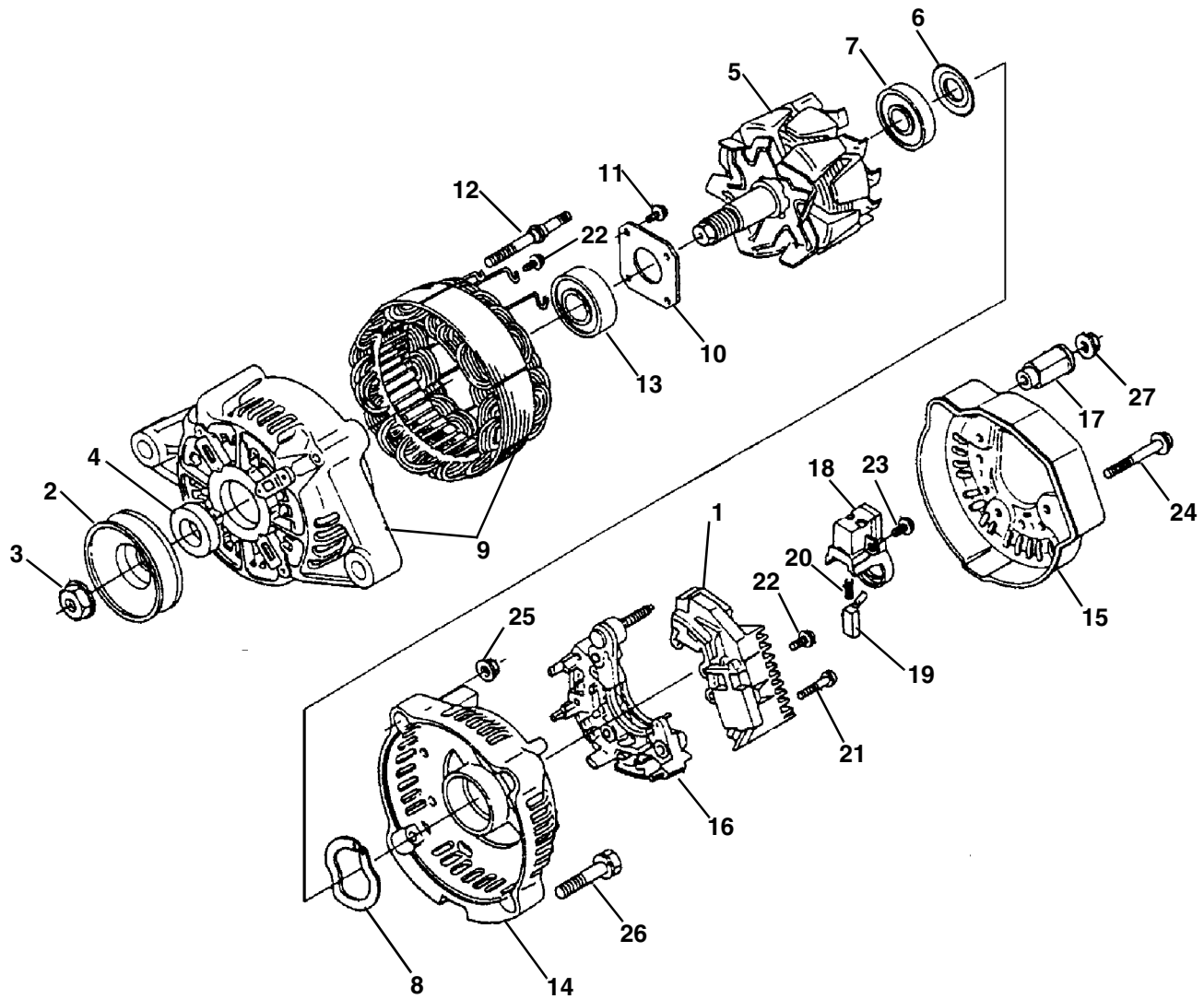
| Used On | Item | Part No. | Qty. | Description | Serial Numbers/Notes |
|---------|------|----------|------|-------------------|----------------------|
| B,C | 1 | 2810354 | 1 | Alternator | See 22.1 |
| A,D,E | 1 | 5001250 | 1 | Alternator | |
| A,D | 1 | 2810641 | 1 | Dynamo | See 23.1 |
| C,D | 2 | 4145889 | 1 | Stay, Alternator | |
| A,E~H | 2 | 2810642 | 1 | Stay, Dynamo | |
| B,C,D | 3 | 555574 | 1 | Bolt | |
| B,C,E | 4 | 5002045 | 1 | Bolt | |
| A,D | 4 | 594300 | 1 | Bolt | |
| ● | 5 | 594353 | 3 | Washer, Plain | |
| B,C,E | 6 | 5001159 | 1 | Washer, Plain | |
| A,D | 6 | 550380 | 1 | Washer, Plain | |
| ● | 7 | 550362 | 2 | Bolt | |
| A,B,D | 8 | 5001978 | 1 | Fan | |
| C,E | 8 | 5002007 | 1 | Fan | |
| ● | 9 | 554091 | 1 | Pulley, Fan | |
| ● | 10 | 557943 | 4 | Bolt, Flange | |
| ● | 11 | 550409 | 1 | Washer, Spring | |
| A,D | 12 | 5001950 | 1 | Crankshaft Pulley | |
| B | 12 | 2811449 | 1 | Crankshaft Pulley | Greens King VI Only |
| C,E | 12 | 4145876 | 1 | Crankshaft Pulley | |
| ● | 13 | 557567 | 1 | Bolt | |
| ● | 14 | 553851 | 1 | Nut | |
| A,C,D | 15 | 5001951 | 1 | V-Belt | |
| B,E | 15 | 2811450 | 1 | V-Belt | Greens King VI Only |

> Change from previous revision

Engine Used On Codes A - Greens King IV Plus B - Greens King V and VI C - Tri King 1900 D - GroomMaster II
 E - G-Plex III ● - Used on all Engines

22.1 Alternator

Part Number 2810354 & 5001250



| Used On | Item | Part No. | Qty. | Description | Serial Numbers/Notes |
|---------|------|----------|------|----------------------------|----------------------|
| B,C,D | 1 | 4134339 | 1 | Regulator Assembly | use on 2810354 |
| E | 1 | 4134422 | 1 | Regulator Assembly | use on 5001250 |
| B~E | 2 | 557947 | 1 | Pulley, Alternator | |
| B~E | 3 | 557948 | 1 | Nut | |
| B~E | 4 | 557949 | 1 | Collar | |
| B~E | 5 | 4145943 | 1 | Rotor | |
| B~E | 6 | 4145825 | 1 | • Cover, Bearing | |
| B~E | 7 | 4145838 | 1 | • Bearing, Ball | |
| B~E | 8 | 557953 | 1 | Washer, Thrust | |
| B~E | 9 | 4145942 | 1 | Drive End Frame and Stator | |
| B~E | 10 | 5001210 | 1 | • Plate, Retainer | |
| B~E | 11 | 557956 | 4 | • Screw, Round Head | |
| B~E | 12 | 557957 | 2 | • Bolt, Through | |
| B~E | 13 | 4145839 | 1 | • Bearing, Ball | |
| B~E | 14 | 4145828 | 1 | Frame End | |
| B~E | 15 | 4145829 | 1 | Cover | |
| B~E | 16 | 5001251 | 1 | Rectifier Assembly | |
| B~E | 17 | 557962 | 1 | Bush, Insulation | |
| B~E | 18 | 4145837 | 1 | Holder, Brush | |
| B~E | 19 | 557964 | 2 | • Brush | |
| B~E | 20 | 557965 | 2 | • Spring, Brush | |
| B~E | 21 | 557966 | 2 | Screw, Round Head | |
| B~E | 22 | 557967 | 6 | Screw, Round Head | |
| B~E | 23 | 557968 | 1 | Screw, Round Head | |
| B~E | 24 | 557969 | 3 | Bolt | |
| B~E | 25 | 557970 | 2 | Nut | |
| B~E | 26 | 557971 | 2 | Bolt | |
| B~E | 27 | 557972 | 1 | Nut | |

> Change from previous revision

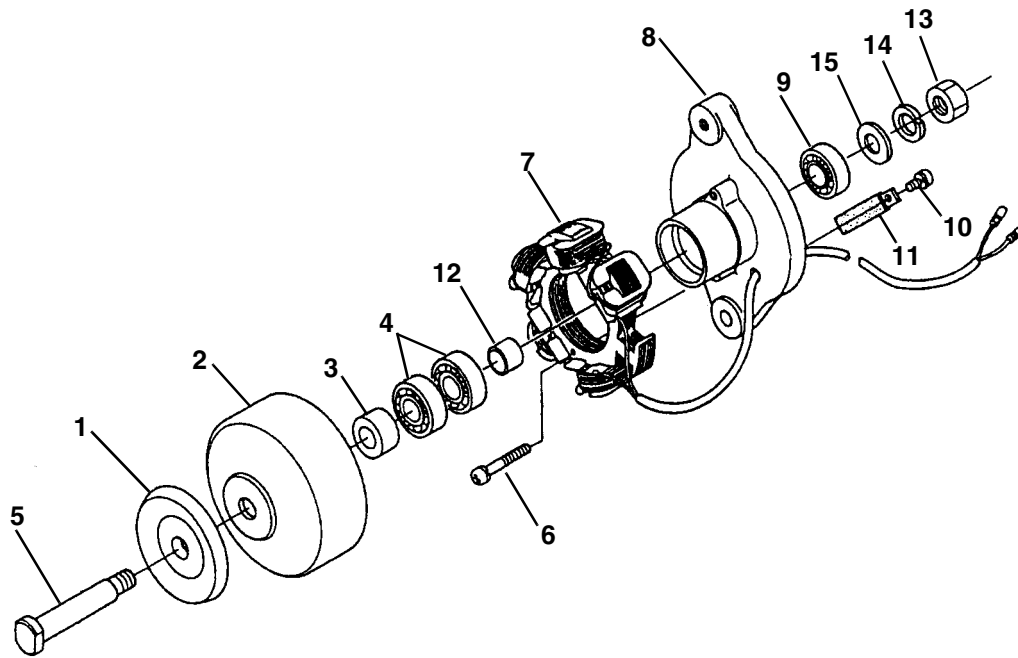
Engine Used On Codes **A** - Greens King IV Plus **B** - Greens King V and VI **C** - Tri King 1900 **D** - GroomMaster II
E - G-Plex III ● - Used on all Engines

KUBOTA D662-EB

Serial No. All

23.1 Dynamo

Part Number 2810641



| Used On | Item | Part No. | Qty. | Description | Serial Numbers/Notes |
|---------|------|----------|------|--------------------------|----------------------|
| A | | 553821 | 1 | Complete Dynamo Flywheel | |
| A | 1 | 553920 | 1 | • Pulley | |
| A | 2 | 553918 | 1 | • Flywheel | |
| A | 3 | 553922 | 1 | • Collar | |
| A | 4 | 550385 | 2 | • Bearing, Ball | |
| A | 5 | 4145741 | 1 | • Shaft | |
| A | | 4145739 | 1 | Complete Stator | |
| A | 6 | 553903 | 1 | • Screw, Round Head | |
| A | 7 | 553924 | 1 | • Stator | |
| A | 8 | 4145738 | 1 | • Plate | |
| A | 9 | 550385 | 1 | • Bearing, Ball | |
| A | 10 | 553932 | 1 | • Screw, Round Head | |
| A | 11 | 4145729 | 1 | • Clamp, Cord | |
| A | 12 | 553901 | 1 | • Collar | |
| A | 13 | 4145651 | 1 | Nut | |
| A | 14 | 553905 | 1 | Washer, Spring | |
| A | 15 | 553904 | 1 | Washer, Plain | |

> Change from previous revision

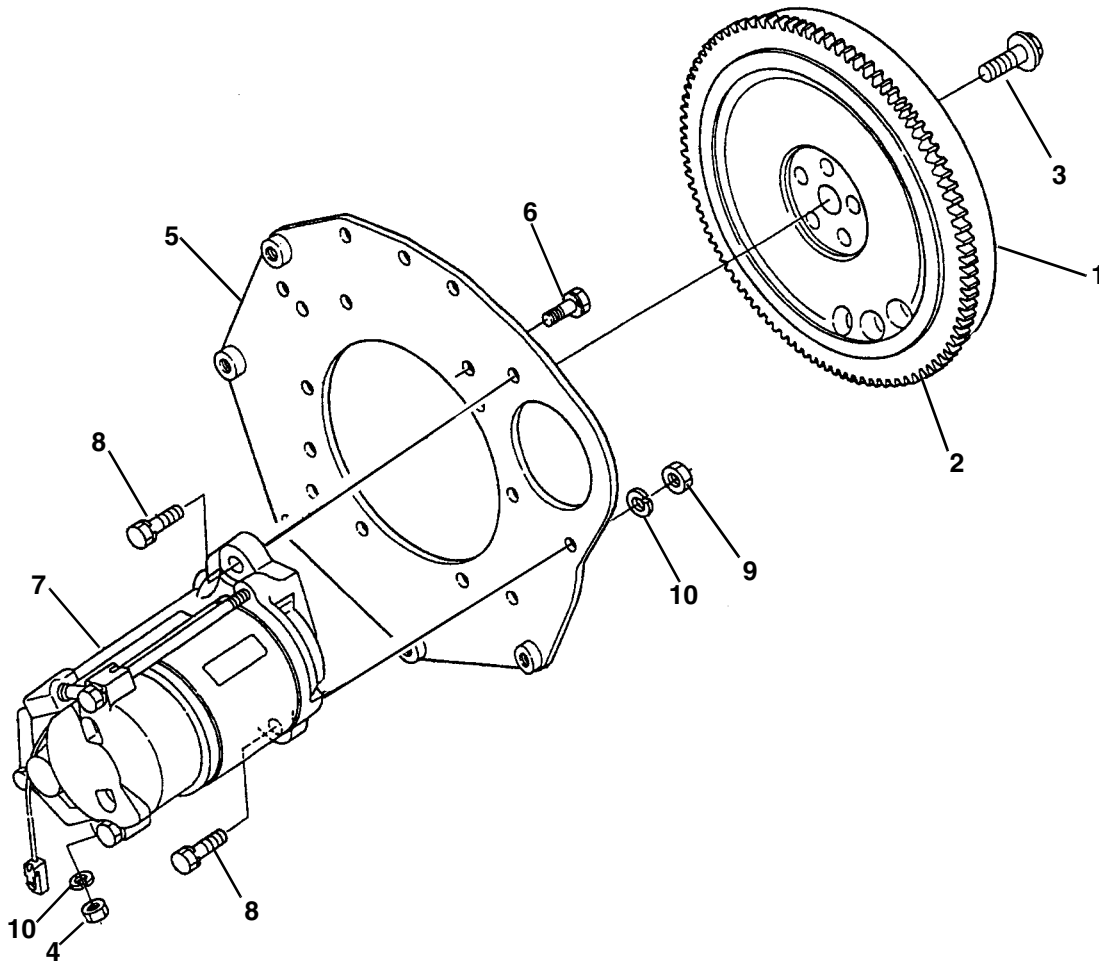
Engine Used On Codes A - Greens King IV Plus
E - G-Plex III

B - Greens King V and VI C - Tri King 1900

D - GroomMaster II

● - Used on all Engines

24.1 Flywheel and Starter Mounting



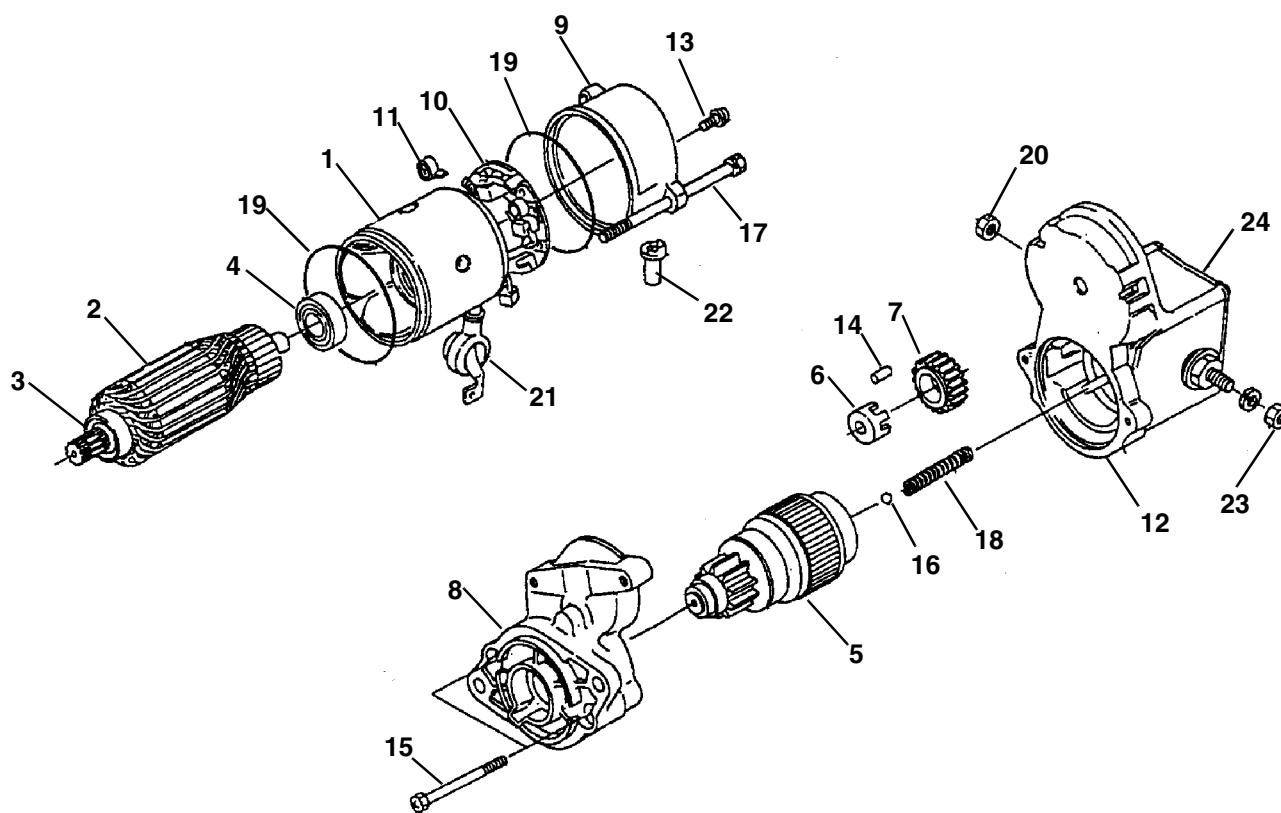
| Used On | Item | Part No. | Qty. | Description | Serial Numbers/Notes |
|---------|------|----------|------|------------------|----------------------|
| ● | 1 | 5001917 | 1 | Flywheel | |
| ● | 2 | 5001918 | 1 | • Ring Gear | |
| ● | 3 | 557555 | 5 | Bolt, Flywheel | |
| ● | 4 | 553851 | 1 | Nut | |
| ● | 5 | 5001919 | 1 | Plate, Rear End | |
| ● | 6 | 4145884 | 10 | Bolt | |
| A,B,D,E | 7 | 5002731 | 1 | Starter Assembly | See 25.1 |
| C | 7 | 5002005 | 1 | Starter Assembly | See 26.1 |
| ● | 8 | 550383 | 2 | Bolt | |
| ● | 9 | 550398 | 2 | Nut | |
| ● | 10 | 550409 | 3 | Washer, Spring | |

> Change from previous revision

Engine Used On Codes A - Greens King IV Plus B - Greens King V and VI C - Tri King 1900 D - GroomMaster II
 E - G-Plex III ● - Used on all Engines

25.1 Starter

Part Number 5002731



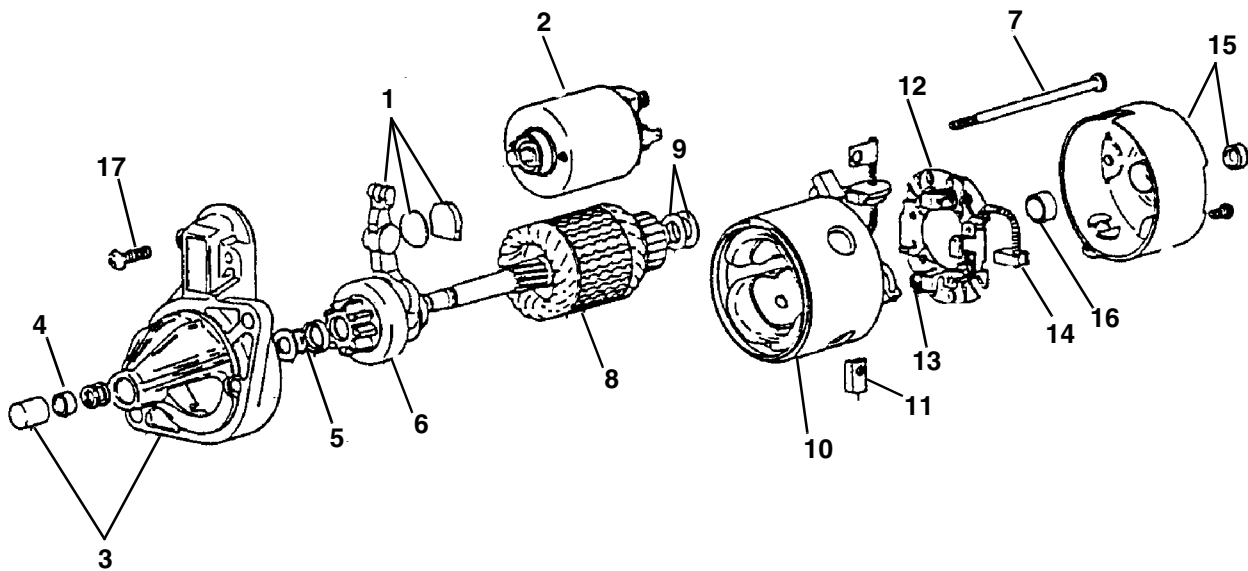
| Used On | Item | Part No. | Qty. | Description | Serial Numbers/Notes |
|---------|------|----------|------|--------------------------|----------------------|
| A,B,D,E | 1 | 2810644 | 1 | Yoke Assembly | |
| A,B,D,E | 2 | 557891 | 1 | Armature | |
| A,B,D,E | 3 | 557893 | 1 | • Bearing | |
| A,B,D,E | 4 | 557892 | 1 | • Bearing | |
| A,B,D,E | 5 | 557894 | 1 | Clutch Assembly | |
| A,B,D,E | 6 | 557903 | 1 | Retainer | |
| A,B,D,E | 7 | 557901 | 1 | Gear | |
| A,B,D,E | 8 | 557896 | 1 | Housing Assembly | |
| A,B,D,E | 9 | 557900 | 1 | Frame End Assembly | |
| A,B,D,E | 10 | 557898 | 1 | Brush Holder Assembly | |
| A,B,D,E | 11 | 557899 | 4 | • Spring, Brush | |
| A,B,D,E | 12 | 2810645 | 1 | Magnetic Switch Assembly | |
| A,B,D,E | 13 | 557908 | 1 | Bolt | |
| A,B,D,E | 14 | 557902 | 2 | Roller | |
| A,B,D,E | 15 | 557906 | 2 | Bolt | |
| A,B,D,E | 16 | 557904 | 1 | Ball | |
| A,B,D,E | 17 | 557907 | 2 | Bolt, Through | |
| A,B,D,E | 18 | 557905 | 1 | Spring | |
| A,B,D,E | 19 | 5003288 | 2 | “O” Ring | |
| A,B,D,E | 20 | 557912 | 1 | Nut, Hexagon | |
| A,B,D,E | 21 | 2810646 | 1 | Cover, Terminal | |
| A,B,D,E | 22 | 5003301 | 1 | Pipe, Drain | |
| A,B,D,E | 23 | 5001183 | 1 | Nut, Hexagon | |
| A,B,D,E | 24 | 4145834 | 1 | Cover Assembly | |

> Change from previous revision

Engine Used On Codes **A** - Greens King IV Plus **B** - Greens King V and VI **C** - Tri King 1900 **D** - GroomMaster II
E - G-Plex III ● - Used on all Engines

26.1 Starter

Part Number 5002005

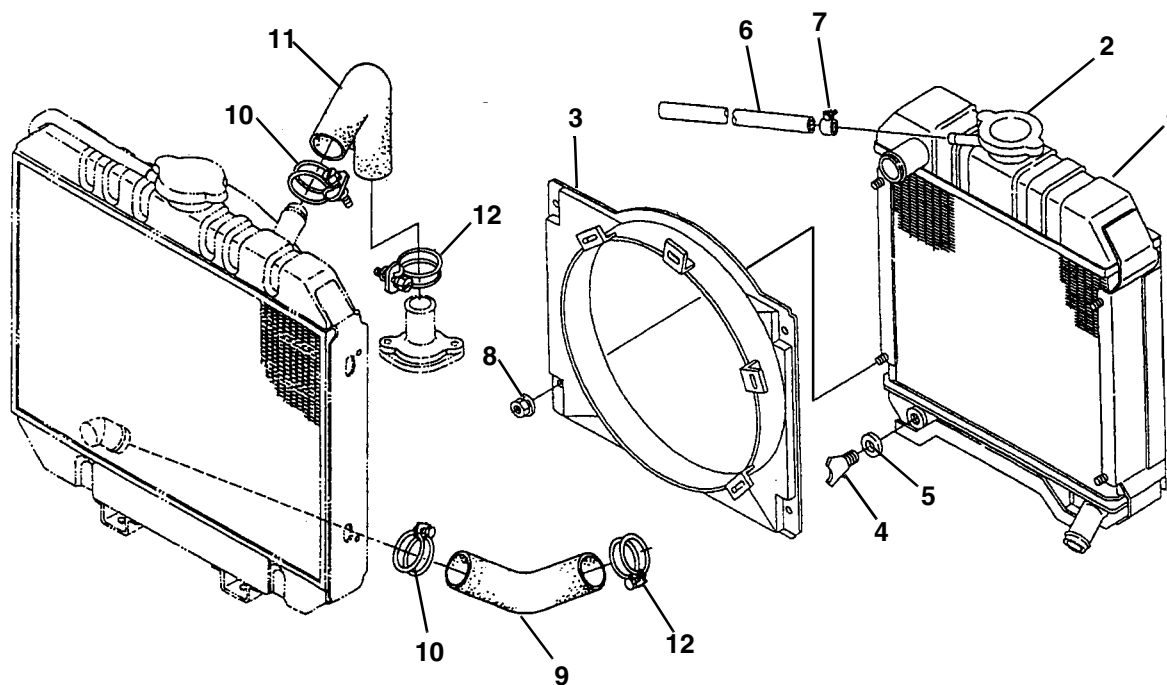


| Used On | Item | Part No. | Qty. | Description | Serial Numbers/Notes |
|---------|------|----------|------|-------------------|----------------------|
| C | 1 | 2501035 | 1 | Lever, Drive | |
| C | 2 | 554166 | 1 | Switch, Magnet | |
| C | 3 | 5002026 | 1 | Frame Drive End | |
| C | 4 | 554174 | 1 | • Bush | |
| C | 5 | 2501039 | 1 | Stopper | |
| C | 6 | 2501040 | 1 | Clutch | |
| C | 7 | 4145896 | 1 | Bolt | |
| C | 8 | 5002027 | 1 | Armature | |
| C | 9 | 554181 | AR | Washer, Adjusting | |
| C | 10 | 5002028 | 1 | Yoke | |
| C | 11 | 554177 | 1 | • Brush | |
| C | 12 | 554179 | 1 | Holder, Brush | |
| C | 13 | 554180 | 1 | • Spring, Brush | |
| C | 14 | 554178 | 1 | • Brush | |
| C | 15 | 4145895 | 1 | Frame End | |
| C | 16 | 554175 | 1 | • Bush | |
| C | 17 | 554183 | 1 | Screw | |

> Change from previous revision

Engine Used On Codes
 A - Greens King IV Plus
 B - Greens King V and VI
 C - Tri King 1900
 D - GroomMaster II
 E - G-Plex III
 ● - Used on all Engines

27.1 Radiator

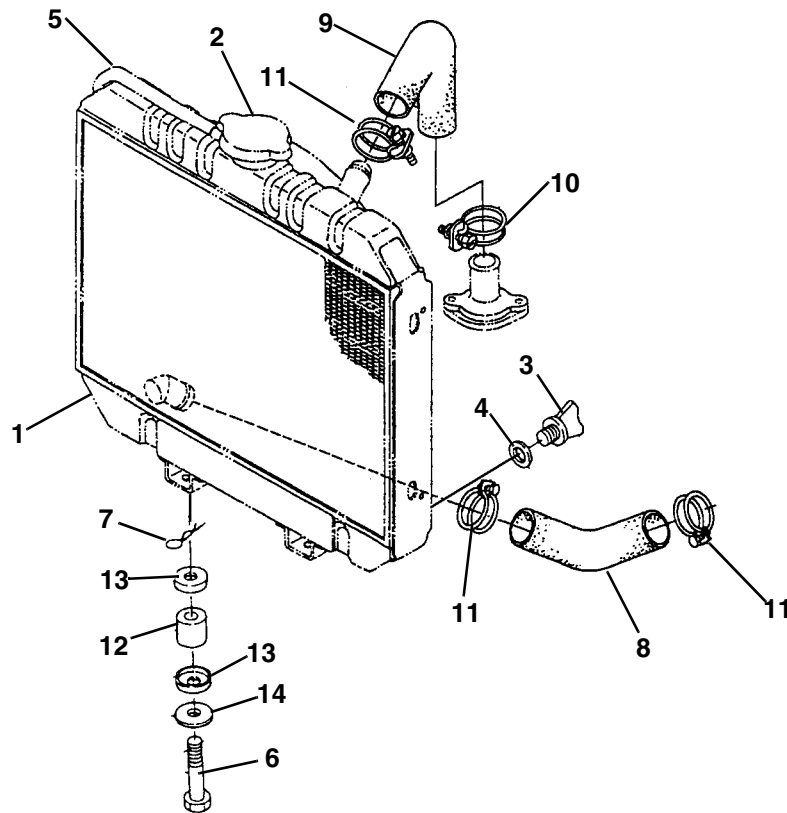


| Used On | Item | Part No. | Qty. | Description | Serial Numbers/Notes |
|---------|------|----------|------|------------------------|----------------------|
| | 1 | 5001964 | 1 | Radiator Assembly | |
| | 1 | 4145840 | 1 | Radiator Assembly | |
| | 2 | 5001966 | 1 | • Radiator Cap | |
| | 2 | 550863 | 1 | • Radiator Cap | |
| | 3 | 5001965 | 1 | • Shroud, Fan | |
| | 3 | 2811877 | 1 | • Shroud, Fan | |
| | 4 | 5001967 | 1 | • Cock, Drain | |
| | 4 | 553892 | 1 | • Cock, Drain | |
| | 5 | 5001968 | 1 | • Gasket | |
| | 6 | 5001969 | 1 | • Pipe, Water Overflow | |
| | 6 | 2811915 | 1 | • Pipe, Water Overflow | |
| | 7 | 5001970 | 1 | • Clamp, Pipe | |
| | 8 | 5001971 | 1 | • Nut | |
| | 9 | 5001974 | 1 | Hose, Water | |
| | 9 | 2811451 | 1 | Hose, Water | Greens King VI Only |
| | 10 | 5001977 | 2 | Clamp, Hose | |
| | 11 | 5001975 | 1 | Hose, Water | |
| | 11 | 2811452 | 1 | Hose, Water | Greens King VI Only |
| | 12 | 5001973 | 2 | Hose, Water | |

> Change from previous revision

Engine Used On Codes A - Greens King IV Plus B - Greens King V and VI C - Tri King 1900 D - GroomMaster II
 E - G-Plex III ● - Used on all Engines

28.1 Radiator

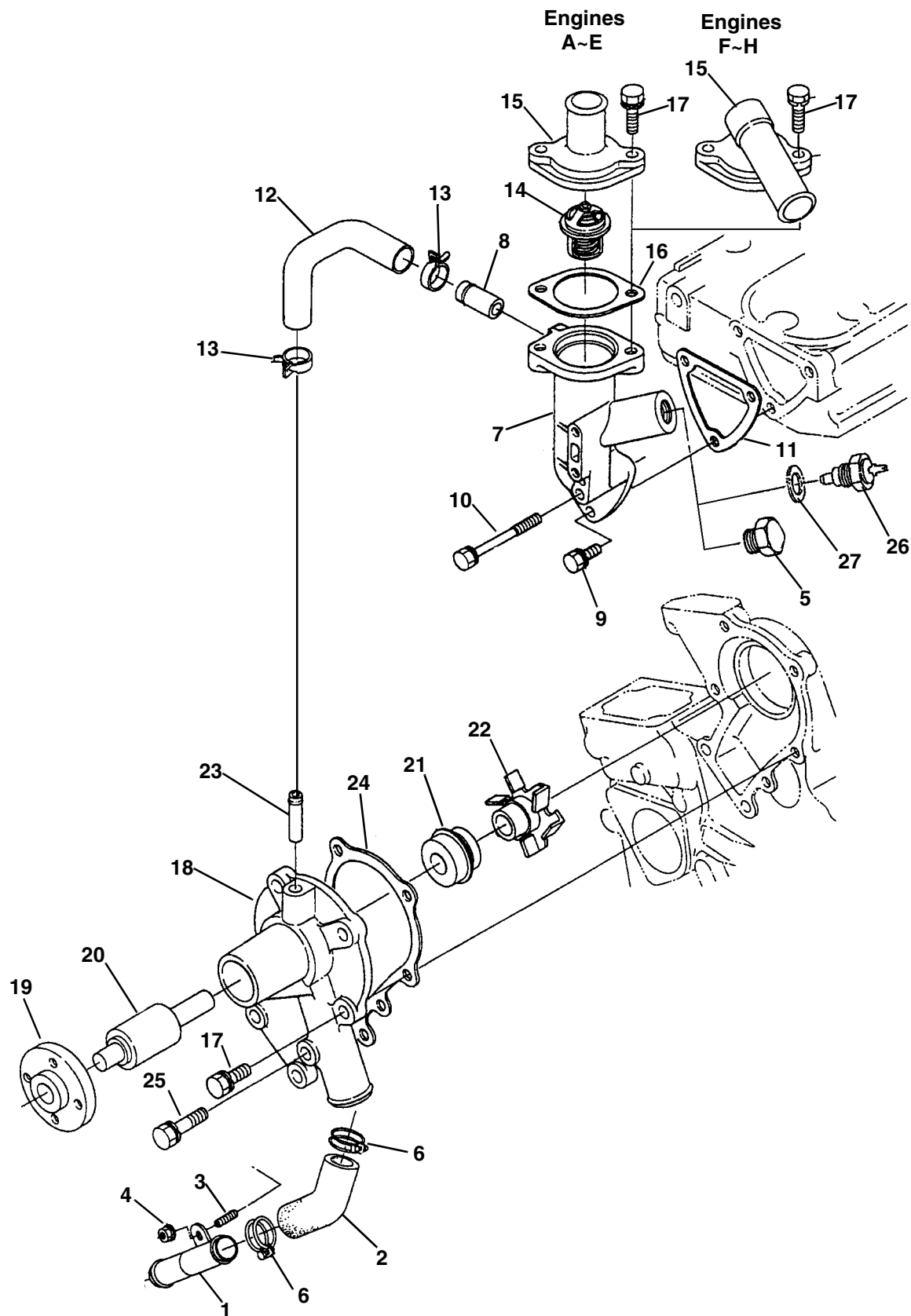


| Used On | Item | Part No. | Qty. | Description | Serial Numbers/Notes |
|---------|------|----------|------|------------------------|----------------------|
| C,D | 1 | 554896 | 1 | Radiator Assembly | |
| C,D | 2 | 550863 | 1 | • Radiator Cap | |
| C,D | 3 | 553892 | 1 | • Cock, Drain | |
| C,D | 4 | 553893 | 1 | • Gasket | |
| C,D | 5 | 557577 | 1 | • Pipe, Water Overflow | |
| C,D | 6 | 554244 | 1 | Bolt, Radiator | |
| C,D | 7 | 553859 | 1 | Pin, Snap | |
| C,D | 8 | 557578 | 1 | Pipe, Water | |
| C,D | 9 | 554241 | 1 | Pipe, Water | |
| C,D | 10 | 5001973 | 1 | Clamp, Hose | |
| C,D | 11 | 554083 | 3 | Band, Pipe | |
| C,D | 12 | 553886 | 2 | Cushion | |
| C,D | 13 | 553887 | 4 | Washer | |
| C,D | 14 | 553853 | 2 | Washer, Plain | |

> Change from previous revision

Engine Used On Codes A - Greens King IV Plus B - Greens King V and VI C - Tri King 1900 D - GroomMaster II
 E - G-Plex III ● - Used on all Engines

29.1 Water Pump and Thermostat

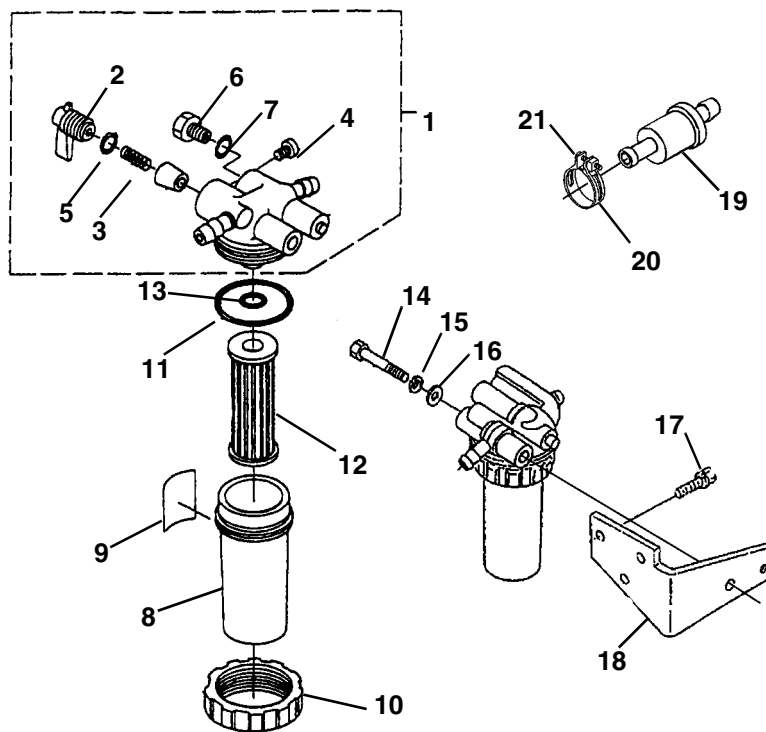


| Used On | Item | Part No. | Qty. | Description | Serial Numbers/Notes |
|---------|------|----------|------|----------------------------|----------------------|
| ● | 1 | 554080 | 1 | Pipe, Water | |
| ● | 2 | 5001972 | 1 | Pipe, Water | |
| ● | 3 | 554100 | 1 | Stud | |
| ● | 4 | 2810649 | 1 | Flange Nut | |
| A~F,H | 5 | 554227 | 1 | Plug | |
| ● | 6 | 5001973 | 2 | Band, Pipe | |
| ● | 7 | 5001956 | 1 | Flange, Water | |
| ● | 8 | 557975 | 1 | • Pipe, Water Return | |
| A~E | 9 | 550362 | 2 | Bolt | |
| F~H | 9 | 5001963 | 2 | Bolt | |
| ● | 10 | 5001875 | 1 | Bolt | |
| ● | 11 | 5001957 | 1 | Gasket, Water Flange | |
| ● | 12 | 5001959 | 1 | Pipe, Water Return | |
| ● | 13 | 555360 | 2 | Band, Pipe | |
| ● | 14 | 2500870 | 1 | Thermostat | |
| A~E | 15 | 554086 | 1 | Cover, Thermostat | |
| F~H | 15 | 2810945 | 1 | Cover, Thermostat | |
| ● | 16 | 550802 | 1 | Gasket, Thermostat Cover | |
| A~E | 17 | 553840 | 6 | Bolt | |
| F~H | 17 | 2810945 | 6 | Bolt | |
| ● | 18 | 5001960 | 1 | Water Pump | |
| ● | 19 | 557567 | 1 | • Flange, Water Pump | |
| ● | 20 | 557568 | 1 | • Bearing | |
| ● | 21 | 557864 | 1 | • Mechanical Seal Assembly | |
| ● | 22 | 5001961 | 1 | • Impeller, Water Pump | |
| ● | 23 | 557571 | 1 | • Pipe, Water Return | |
| ● | 24 | 5001962 | 1 | Gasket, Water Pump | |
| ● | 25 | 5001963 | 1 | Bolt | |
| G | 26 | 2810804 | 1 | Assembly Thermoswitch | |
| G | 27 | 2500862 | 1 | Gasket | |

> Change from previous revision

Engine Used On Codes A - Greens King IV Plus B - Greens King V and VI C - Tri King 1900 D - GroomMaster II
 E - G-Plex III ● - Used on all Engines

30.1 Fuel Filter

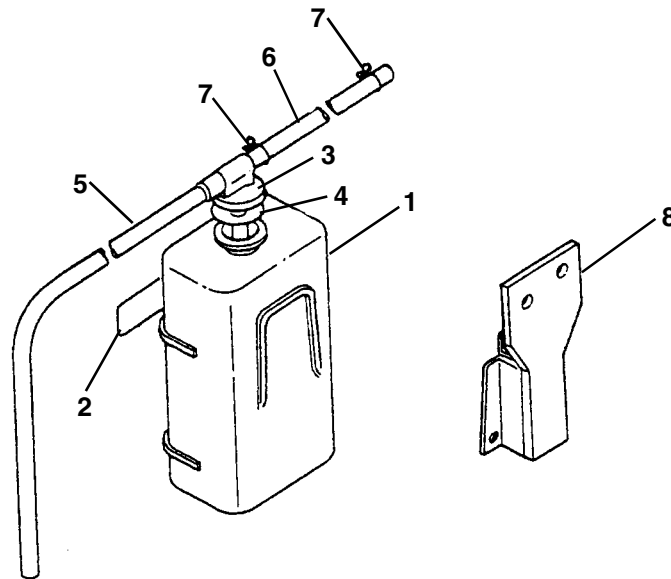


| Used On | Item | Part No. | Qty. | Description | Serial Numbers/Notes |
|---------|------|----------|------|-------------------------|----------------------|
| ● | | 5001947 | 1 | Fuel Filter Assembly | |
| ● | 1 | 553900 | 1 | • Complete Cock Body | |
| ● | 2 | 550396 | 1 | • • Lever, Cock | |
| ● | 3 | 550464 | 1 | • • Spring, Valve | |
| ● | 4 | 550465 | 1 | • • Screw, Set | |
| ● | 5 | 550466 | 1 | • • "O" Ring, Lever | |
| ● | 6 | 550544 | 2 | • • Screw, Air Breather | |
| ● | 7 | 550414 | 2 | • • "O" Ring | |
| ● | | 5001309 | 1 | • Filter Cup Assembly | |
| ● | 8 | 5001191 | 1 | • • Cup, Filter | |
| ● | 9 | 5001301 | 1 | • • Label, Fuel | |
| ● | 10 | 550462 | 1 | • Ring, Retaining | |
| ● | 11 | 550463 | 1 | • "O" Ring, Filter Cup | |
| ● | 12 | 550489 | 1 | • Fuel Filter Element | |
| ● | 13 | 2810640 | 1 | • "O" Ring, Filter | |
| G | 14 | 553167 | 1 | Bolt | |
| G | 15 | 550409 | 1 | Lockwasher | |
| G | 16 | 594353 | 1 | Washer, Plain | |
| G | 17 | 555606 | 1 | Bolt | |
| G | 18 | 2810961 | 1 | Holder, Fuel Filter | |
| G | 19 | 5001182 | 1 | Fuel Filter Assembly | |
| G | 20 | 2810970 | 1 | Band, Filter | |
| G | 21 | 2810735 | 1 | Bolt | |

> Change from previous revision

Engine Used On Codes A - Greens King IV Plus B - Greens King V and VI C - Tri King 1900 D - GroomMaster II
 E - G-Plex III ● - Used on all Engines

31.1 Overflow Tank

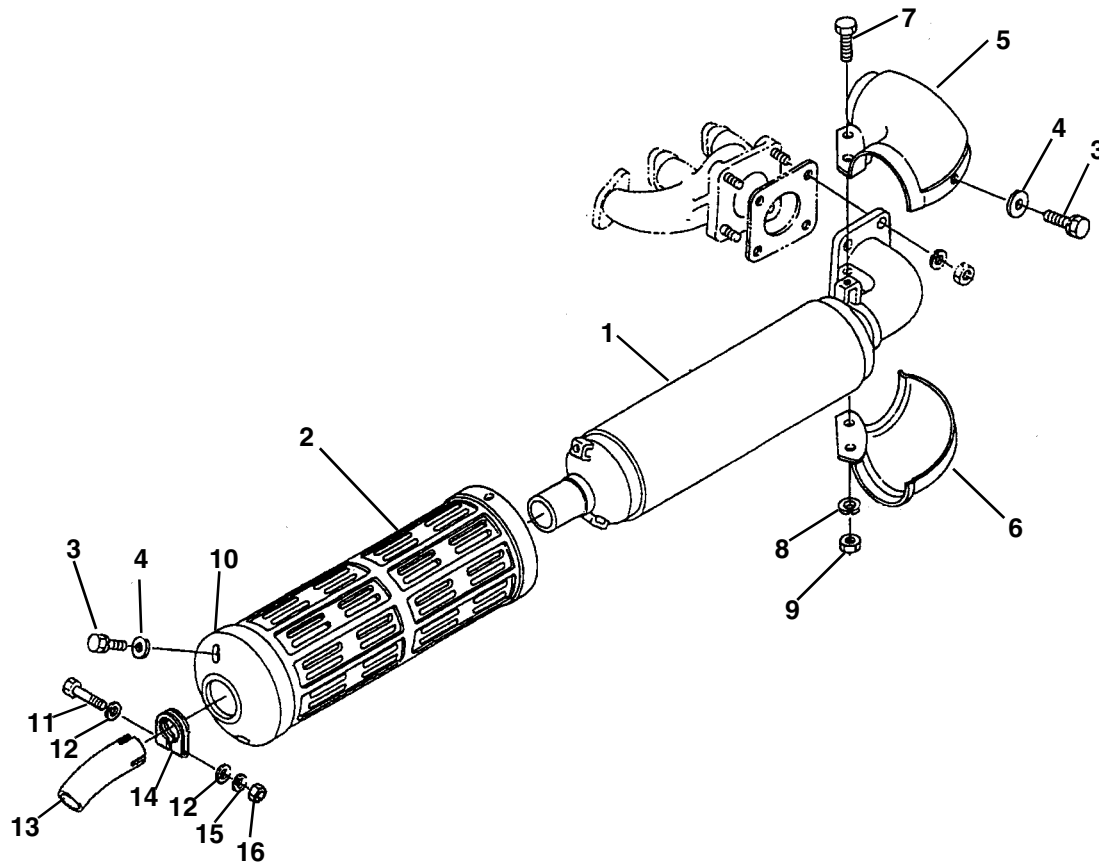


| Used On | Item | Part No. | Qty. | Description | Serial Numbers/Notes |
|---------|------|----------|------|------------------------|----------------------|
| ● | | 553926 | 1 | Overflow Tank Assembly | |
| ● | 1 | 5001207 | 1 | • Tank, Body | |
| ● | 2 | 553915 | 1 | • Label, Caution | |
| ● | 3 | 2500814 | 1 | • Cap | |
| ● | 4 | 2500815 | 1 | • Gasket | |
| ● | 5 | 553913 | 1 | • Pipe, Water Overflow | |
| ● | 6 | 553929 | 1 | • Pipe, Water Overflow | |
| ● | 7 | 553914 | 2 | • Clip, Pipe | |
| A~E | 8 | 5001980 | 1 | Support, Tank | |

> Change from previous revision

Engine Used On Codes A - Greens King IV Plus B - Greens King V and VI C - Tri King 1900 D - GroomMaster II
 E - G-Plex III ● - Used on all Engines

32.1 Muffler



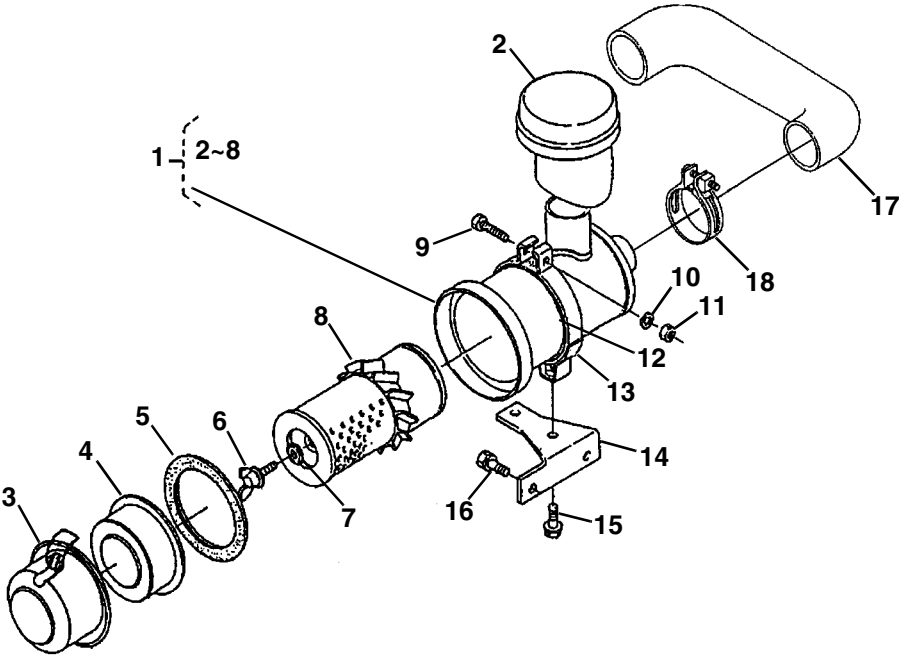
| Used On | Item | Part No. | Qty. | Description | Serial Numbers/Notes |
|---------|------|----------|------|-----------------------------|----------------------|
| C,G | 1 | 554482 | 1 | Muffler | |
| C,G | 2 | 554247 | 1 | Cover, Muffler | |
| C,G | 3 | 553847 | 4 | Bolt | |
| C,G | 4 | 550403 | 4 | Washer, Plin | |
| C,G | 5 | 554245 | 1 | Cover, Upper Muffler Flange | |
| C,G | 6 | 554246 | 1 | Cover, Lower Muffler Flange | |
| C,G | 7 | 2810650 | 2 | Bolt | |
| C,G | 8 | 5001160 | 2 | Washer, Spring | |
| C,G | 9 | 553850 | 2 | Nut | |
| C,G | 10 | 553865 | 1 | End Cover, Muffler | |
| G | 11 | 553167 | 1 | Bolt | |
| G | 12 | 594353 | 2 | Washer | |
| G | 13 | 2810972 | 1 | Pipe, Exhaust | |
| G | 14 | 2810973 | 1 | Clamp, Pipe | |
| G | 15 | 550409 | 1 | Lcokwasher | |
| G | 16 | 553851 | 1 | Nut | |

> Change from previous revision

Engine Used On Codes A - Greens King IV Plus B - Greens King V and VI C - Tri King 1900 D - GroomMaster II
 E - G-Plex III ● - Used on all Engines

33.1 Air Cleaner Assembly

Engine G Only



| Used On | Item | Part No. | Qty. | Description | Serial Numbers/Notes |
|---------|------|----------|------|----------------------|----------------------|
| G | 1 | 2810770 | 1 | Air Cleaner Assembly | |
| G | 2 | 2811977 | 1 | Cap, Air Cleaner | |
| G | 3 | 2811978 | 1 | Cover, Air Cleaner | |
| G | 4 | 2810758 | 1 | Cover, Baffle | |
| G | 5 | 2810757 | 1 | Gasket | |
| G | 6 | 2810761 | 1 | Bolt, Wing | |
| G | 7 | 592898 | 1 | Washer w/Rubber | |
| G | 8 | 2810946 | 1 | Element, Air Cleaner | |
| G | 9 | 2810736 | 1 | Bolt | |
| G | 10 | 500409 | 1 | Lockwasher | |
| G | 11 | 553851 | 1 | Nut | |
| G | 12 | 2810766 | 1 | Cushion | |
| G | 13 | 2810772 | 1 | Band, Air Cleaner | |
| G | 14 | 2811975 | 1 | Stay, Air Cleaner | |
| G | 15 | 550379 | 1 | Bolt | |
| G | 16 | 2811976 | 1 | Bolt | |
| G | 17 | 2810934 | 1 | Hose, Inlet | |
| G | 18 | 2810759 | 2 | Band, Pipe | |

> Change from previous revision

Engine Used On Codes **A** - Greens King IV Plus **B** - Greens King V and VI **C** - Tri King 1900 **D** - GroomMaster II
E - G-Plex III ● - Used on all Engines

INDEX

| | | | | | | | |
|--------------|-------|--------------|---------------|--------------|-------|--------------|------------|
| 2500811..... | 6 | 2810935..... | 25 | 5001251..... | 33 | 5001915..... | 13 |
| 2500814..... | 45 | 2810936..... | 5 | 5001301..... | 44 | 5001916..... | 13 |
| 2500815..... | 45 | 2810945..... | 43 | 5001309..... | 44 | 5001917..... | 35 |
| 2500862..... | 43 | 2810946..... | 47 | 5001310..... | 37 | 5001918..... | 35 |
| 2500870..... | 43 | 2810961..... | 44 | 5001311..... | 37 | 5001919..... | 35 |
| 2500888..... | 7 | 2810965..... | 3 | 5001859..... | 5 | 5001920..... | 15 |
| 2500892..... | 9 | 2810966..... | 3 | 5001860..... | 5 | 5001921..... | 15 |
| 2500960..... | 31 | 2810970..... | 44 | 5001861..... | 5 | 5001922..... | 16 |
| 2500962..... | 16 | 2810972..... | 46 | 5001863..... | 5 | 5001923..... | 23 |
| 2500986..... | 23 | 2810973..... | 46 | 5001864..... | 5 | 5001924..... | 23 |
| 2501015..... | 3, 25 | 2810982..... | 3 | 5001865..... | 5 | 5001925..... | 17 |
| 2501035..... | 39 | 2811449..... | 31 | 5001866..... | 6 | 5001927..... | 19 |
| 2501039..... | 39 | 2811450..... | 31 | 5001867..... | 6 | 5001929..... | 19 |
| 2501040..... | 39 | 2811451..... | 40 | 5001868..... | 6 | 5001930..... | 24 |
| 2501042..... | 39 | 2811452..... | 40 | 5001869..... | 7 | 5001931..... | 24 |
| 2809951..... | 6 | 2811861..... | 5 | 5001870..... | 7 | 5001932..... | 24 |
| 2809955..... | 11 | 2811862..... | 5 | 5001871..... | 9 | 5001933..... | 9 |
| 2810354..... | 31 | 2811863..... | 5 | 5001872..... | 9 | 5001934..... | 25 |
| 2810355..... | 33 | 2811872..... | 40 | 5001873..... | 9 | 5001935..... | 25 |
| 2810637..... | 3 | 2811873..... | 5 | 5001875..... | 9, 43 | 5001936..... | 25 |
| 2810638..... | 24 | 2811875..... | 29 | 5001876..... | 9 | 5001937..... | 21 |
| 2810639..... | 24 | 2811876..... | 29 | 5001877..... | 9 | 5001939..... | 21 |
| 2810640..... | 44 | 2811877..... | 40 | 5001878..... | 11 | 5001940..... | 21 |
| 2810641..... | 31 | 2811915..... | 40 | 5001879..... | 11 | 5001941..... | 21 |
| 2810642..... | 31 | 2811963..... | 3 | 5001880..... | 31 | 5001942..... | 21 |
| 2810644..... | 37 | 2811966..... | 7 | 5001881..... | 11 | 5001943..... | 21 |
| 2810645..... | 37 | 2811975..... | 47 | 5001882..... | 11 | 5001944..... | 21 |
| 2810646..... | 37 | 2811976..... | 47 | 5001883..... | 10 | 5001945..... | 22 |
| 2810648..... | 29 | 2811977..... | 47 | 5001884..... | 10 | 5001946..... | 22 |
| 2810649..... | 3, 43 | 2811978..... | 47 | 5001886..... | 10 | 5001947..... | 44 |
| 2810650..... | 46 | 3001349..... | 31 | 5001887..... | 10 | 5001948..... | 16 |
| 2810651..... | 29 | 5000886..... | 17 | 5001888..... | 10 | 5001949..... | 31 |
| 2810735..... | 44 | 5000899..... | 21 | 5001889..... | 14 | 5001950..... | 31 |
| 2810736..... | 47 | 5001118..... | 17 | 5001890..... | 14 | 5001951..... | 31 |
| 2810749..... | 37 | 5001142..... | 21 | 5001891..... | 14 | 5001956..... | 43 |
| 2810750..... | 3 | 5001158..... | 21 | 5001892..... | 14 | 5001957..... | 43 |
| 2810757..... | 47 | 5001159..... | 31 | 5001894..... | 14 | 5001959..... | 43 |
| 2810758..... | 47 | 5001160..... | 9, 17, 27, 46 | 5001895..... | 14 | 5001960..... | 43 |
| 2810759..... | 47 | 5001182..... | 44 | 5001896..... | 13 | 5001961..... | 43 |
| 2810761..... | 47 | 5001183..... | 37 | 5001897..... | 13 | 5001962..... | 43 |
| 2810766..... | 47 | 5001191..... | 44 | 5001898..... | 13 | 5001963..... | 43 |
| 2810770..... | 47 | 5001192..... | 37 | 5001899..... | 13 | 5001964..... | 40 |
| 2810772..... | 47 | 5001194..... | 37 | 5001900..... | 13 | 5001965..... | 40 |
| 2810776..... | 37 | 5001196..... | 37 | 5001902..... | 13 | 5001966..... | 40 |
| 2810777..... | 37 | 5001197..... | 37 | 5001903..... | 13 | 5001967..... | 40 |
| 2810778..... | 35 | 5001198..... | 37 | 5001904..... | 13 | 5001968..... | 40 |
| 2810789..... | 3 | 5001200..... | 37 | 5001905..... | 13 | 5001969..... | 40 |
| 2810804..... | 43 | 5001201..... | 37 | 5001906..... | 13 | 5001970..... | 40 |
| 2810922..... | 25 | 5001202..... | 37 | 5001907..... | 13 | 5001971..... | 40 |
| 2810925..... | 13 | 5001203..... | 37 | 5001908..... | 13 | 5001972..... | 43 |
| 2810926..... | 13 | 5001204..... | 37 | 5001909..... | 13 | 5001973..... | 40, 41, 43 |
| 2810927..... | 13 | 5001205..... | 37 | 5001910..... | 13 | 5001974..... | 40 |
| 2810928..... | 24 | 5001207..... | 45 | 5001911..... | 13 | 5001975..... | 40 |
| 2810929..... | 25 | 5001208..... | 19 | 5001912..... | 13 | 5001977..... | 40 |
| 2810930..... | 25 | 5001209..... | 33 | 5001913..... | 13 | 5001978..... | 31 |
| 2810934..... | 47 | 5001210..... | 33 | 5001914..... | 13 | 5001980..... | 45 |

INDEX

| | | | | | | | |
|--------------|--------------------|-------------|--------------------|-------------|--------|-------------|--------|
| 5001981..... | 27 | 550425..... | 27 | 553865..... | 46 | 554014..... | 5 |
| 5001982..... | 27 | 550428..... | 13, 15 | 553867..... | 7 | 554016..... | 9 |
| 5001983..... | 29 | 550434..... | 15 | 553868..... | 27 | 554018..... | 5 |
| 5001984..... | 29 | 550462..... | 44 | 553869..... | 27 | 554022..... | 21 |
| 5001985..... | 29 | 550463..... | 44 | 553871..... | 27 | 554023..... | 19 |
| 5001999..... | 24 | 550464..... | 44 | 553872..... | 27 | 554025..... | 19 |
| 5002000..... | 16 | 550465..... | 44 | 553873..... | 27 | 554027..... | 19 |
| 5002003..... | 31 | 550466..... | 44 | 553874..... | 27 | 554029..... | 19 |
| 5002005..... | 35 | 550489..... | 44 | 553875..... | 27 | 554030..... | 19 |
| 5002007..... | 31 | 550543..... | 5 | 553876..... | 27 | 554031..... | 19 |
| 5002008..... | 29 | 550544..... | 44 | 553886..... | 41 | 554032..... | 19 |
| 5002010..... | 29 | 550597..... | 13 | 553887..... | 41 | 554033..... | 19 |
| 5002011..... | 29 | 550606..... | 13 | 553892..... | 40, 41 | 554034..... | 19 |
| 5002015..... | 13 | 550607..... | 13 | 553893..... | 41 | 554035..... | 19 |
| 5002017..... | 7 | 550632..... | 15 | 553896..... | 13 | 554036..... | 19 |
| 5002018..... | 23 | 550646..... | 24 | 553897..... | 13 | 554037..... | 21 |
| 5002027..... | 39 | 550656..... | 23 | 553898..... | 13 | 554038..... | 19 |
| 5002028..... | 39 | 550673..... | 7 | 553899..... | 13 | 554039..... | 19 |
| 5002031..... | 3 | 550802..... | 43 | 553900..... | 44 | 554040..... | 19 |
| 5002032..... | 3 | 550863..... | 40, 41 | 553901..... | 34 | 554045..... | 22 |
| 5002033..... | 3 | 552950..... | 5 | 553902..... | 34 | 554046..... | 22 |
| 5002042..... | 3 | 552951..... | 5 | 553903..... | 34 | 554047..... | 22, 23 |
| 5002043..... | 3 | 552954..... | 5 | 553904..... | 34 | 554049..... | 22 |
| 5002044..... | 31 | 552958..... | 23 | 553905..... | 34 | 554051..... | 21 |
| 5002045..... | 31 | 552959..... | 5, 7 | 553911..... | 5 | 554054..... | 21 |
| 5002046..... | 5, 39 | 552971..... | 6 | 553913..... | 45 | 554055..... | 21 |
| 5002644..... | 9 | 552978..... | 5, 7 | 553914..... | 45 | 554058..... | 23 |
| 5002731..... | 35 | 553003..... | 9 | 553915..... | 45 | 554059..... | 23 |
| 5002751..... | 9 | 553020..... | 29 | 553918..... | 34 | 554060..... | 23 |
| 5003288..... | 37 | 553067..... | 14 | 553919..... | 34 | 554062..... | 15 |
| 5003298..... | 3 | 553105..... | 16, 21 | 553920..... | 34 | 554063..... | 15 |
| 5003299..... | 3 | 553143..... | 11, 21, 23, 25 | 553922..... | 34 | 554064..... | 24 |
| 5003301..... | 37 | 553167..... | 44, 46 | 553923..... | 34 | 554065..... | 25 |
| 500409..... | 47 | 553260..... | 6 | 553924..... | 34 | 554066..... | 24 |
| 550360..... | 6, 14, 15 | 553277..... | 37 | 553925..... | 34 | 554067..... | 24 |
| 550361..... | 14 | 553821..... | 34 | 553926..... | 45 | 554068..... | 24 |
| 550362..... | 16, 31, 43 | 553839..... | 27 | 553929..... | 45 | 554069..... | 9 |
| 550363..... | 9, 25, 29 | 553840..... | 10, 43 | 553930..... | 34 | 554070..... | 24 |
| 550364..... | 10 | 553841..... | 29 | 553932..... | 34 | 554071..... | 25 |
| 550367..... | 24 | 553844..... | 9 | 553934..... | 7 | 554073..... | 25 |
| 550376..... | 35 | 553846..... | 25 | 553940..... | 10 | 554074..... | 25 |
| 550379..... | 47 | 553847..... | 46 | 553942..... | 10 | 554075..... | 25 |
| 550380..... | 31 | 553849..... | 29 | 553944..... | 11 | 554080..... | 43 |
| 550383..... | 35 | 553850..... | 46 | 553945..... | 11 | 554083..... | 41 |
| 550385..... | 34 | 553851..... | 29, 31, 35, 46, 47 | 553950..... | 11 | 554084..... | 5 |
| 550395..... | 9, 27 | 553853..... | 41 | 553953..... | 7 | 554086..... | 43 |
| 550396..... | 44 | 553854..... | 15 | 553954..... | 7 | 554091..... | 31 |
| 550398..... | 35 | 553855..... | 25 | 553955..... | 27 | 554094..... | 9 |
| 550401..... | 21 | 553856..... | 13 | 553957..... | 27 | 554096..... | 23 |
| 550403..... | 46 | 553857..... | 5 | 553959..... | 27 | 554098..... | 5 |
| 550407..... | 24 | 553858..... | 24, 25 | 553974..... | 13 | 554099..... | 17 |
| 550409..... | 29, 31, 35, 44, 46 | 553859..... | 41 | 553978..... | 13 | 554100..... | 43 |
| 550414..... | 44 | 553860..... | 14 | 553980..... | 13 | 554101..... | 25 |
| 550419..... | 9 | 553861..... | 15 | 553996..... | 14 | 554103..... | 22 |
| 550420..... | 25 | 553862..... | 9 | 554007..... | 13 | 554104..... | 17 |
| 550424..... | 5 | 553864..... | 15 | 554012..... | 5 | 554105..... | 23 |

INDEX

| | | | | | |
|-------------|----|-------------|--------|-------------|------------|
| 554106..... | 19 | 557529..... | 9 | 557968..... | 33 |
| 554107..... | 9 | 557532..... | 9 | 557969..... | 33 |
| 554108..... | 27 | 557533..... | 9 | 557970..... | 33 |
| 554110..... | 22 | 557534..... | 9 | 557971..... | 33 |
| 554111..... | 19 | 557536..... | 10 | 557972..... | 33 |
| 554112..... | 17 | 557537..... | 10 | 557975..... | 43 |
| 554115..... | 7 | 557538..... | 11 | 557981..... | 3 |
| 554116..... | 19 | 557540..... | 31 | 570030..... | 15 |
| 554117..... | 19 | 557545..... | 29 | 592898..... | 47 |
| 554118..... | 19 | 557546..... | 27 | 594300..... | 31 |
| 554120..... | 22 | 557553..... | 13 | 594330..... | 6, 7 |
| 554163..... | 19 | 557555..... | 35 | 594331..... | 29, 31 |
| 554166..... | 39 | 557567..... | 31, 43 | 594342..... | 27 |
| 554174..... | 39 | 557568..... | 43 | 594344..... | 29 |
| 554175..... | 39 | 557571..... | 43 | 594353..... | 31, 44, 46 |
| 554177..... | 39 | 557577..... | 41 | 594372..... | 5 |
| 554178..... | 39 | 557578..... | 41 | 594492..... | 16 |
| 554179..... | 39 | 557627..... | 19 | | |
| 554180..... | 39 | 557864..... | 43 | | |
| 554181..... | 39 | 557874..... | 11 | | |
| 554183..... | 39 | 557891..... | 37 | | |
| 554190..... | 29 | 557892..... | 37 | | |
| 554192..... | 27 | 557893..... | 37 | | |
| 554199..... | 19 | 557894..... | 37 | | |
| 554200..... | 19 | 557896..... | 37 | | |
| 554201..... | 19 | 557898..... | 37 | | |
| 554202..... | 17 | 557899..... | 37 | | |
| 554208..... | 19 | 557900..... | 37 | | |
| 554209..... | 6 | 557901..... | 37 | | |
| 554213..... | 15 | 557902..... | 37 | | |
| 554215..... | 14 | 557903..... | 37 | | |
| 554216..... | 14 | 557904..... | 37 | | |
| 554218..... | 14 | 557905..... | 37 | | |
| 554220..... | 5 | 557906..... | 37 | | |
| 554221..... | 13 | 557907..... | 37 | | |
| 554222..... | 10 | 557908..... | 37 | | |
| 554227..... | 43 | 557912..... | 37 | | |
| 554236..... | 24 | 557943..... | 31 | | |
| 554237..... | 9 | 557947..... | 33 | | |
| 554241..... | 41 | 557948..... | 33 | | |
| 554244..... | 41 | 557949..... | 33 | | |
| 554245..... | 46 | 557950..... | 33 | | |
| 554246..... | 46 | 557951..... | 33 | | |
| 554247..... | 46 | 557952..... | 33 | | |
| 554482..... | 46 | 557953..... | 33 | | |
| 554848..... | 17 | 557956..... | 33 | | |
| 554896..... | 41 | 557957..... | 33 | | |
| 555360..... | 43 | 557958..... | 33 | | |
| 555501..... | 9 | 557959..... | 33 | | |
| 555606..... | 44 | 557960..... | 33 | | |
| 555663..... | 39 | 557962..... | 33 | | |
| 557346..... | 11 | 557963..... | 33 | | |
| 557352..... | 21 | 557964..... | 33 | | |
| 557525..... | 5 | 557965..... | 33 | | |
| 557526..... | 9 | 557966..... | 33 | | |
| 557528..... | 9 | 557967..... | 33 | | |

World Class Quality, Performance And Support

Equipment from Jacobsen is built to exacting standards ensured by ISO 9001 and ISO 14001 registration at all of our manufacturing locations.

A worldwide dealer network and factory trained technicians backed by Jacobsen Parts Xpress provide reliable, high-quality product support.



When Performance Matters.™

CUSHMAN E-Z GO JACOBSEN RANSOMES